

Digilent Pmod8LD™ Reference Manual

Revision: June 3, 2009



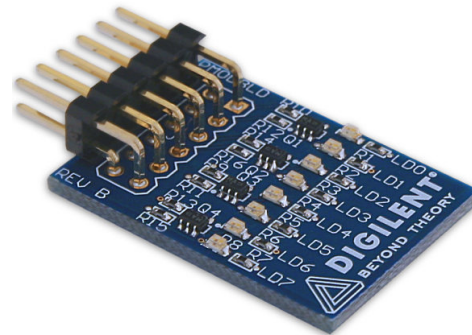
215 E Main Suite D | Pullman, WA 99163
(509) 334 6306 Voice and Fax

Overview

The Pmod8LD has eight high-bright LEDs that are driven by logic-level transistors so each LED can be illuminated with a logic high signal that provides less than 1mA of current.

Features include:

- eight high bright green LEDs
- a 12-pin system connector
- a transistor amplifier system that allows low-power logic-level control
- small form factor (0.80" x 1.10").



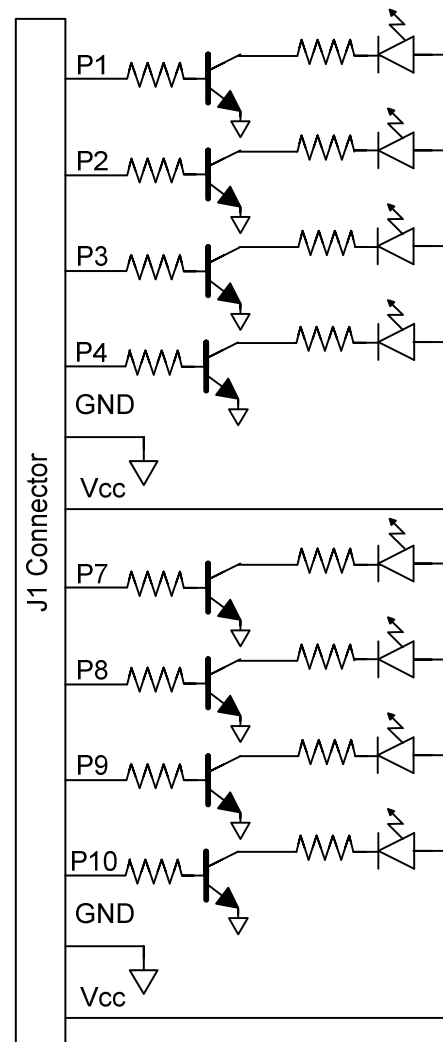
Functional Description

Each LED can be activated separately or simultaneously. To activate an LED, the pin connected to the LED must receive about 1mA of current.

The LED module has a 12-pin header for easy connection to a Digilent system board. For some boards, using a 6-pin cable for connection may be preferable, especially with 6-pin headers.

For older boards, a Digilent Modular Interface Board (MIB) and a 6-pin cable may be needed. The MIB plugs into the system board, and the cable connects the MIB to the LED module.

For more information see www.digilentinc.com.



Pmod8LD Module Circuit Diagram