

# Customer Information Sheet

DRAWING No.: M20-999XXXX

SHEET 2 OF 2

IF IN DOUBT - ASK

©

NOT TO SCALE

THIRD ANGLE PROJECTION

ALL DIMENSIONS IN mm

**NOTES:**

1. RECOMMENDED PCB MOUNTING HOLE SIZE =  $\varnothing 1.00\text{mm}$ .
2. ALL TOLERANCES ARE  $\pm 0.25\text{mm}$  UNLESS OTHERWISE STATED.
3. FOR COMPLETE SPECIFICATION, SEE COMPONENT SPECIFICATION C001XX (LATEST ISSUE).

**SPECIFICATION:**

**MATERIAL:**

**MOULDING:**

- 05 & 06 = GLASS-FILLED POLYESTER UL94V-0, BLACK
- 45 & 46 = HIGH TEMP NLYON 6T UL94V-0, BLACK

**PINS = BRASS**

**FINISH:**

**PINS:**

- 05 = GOLD
- 06 = TIN/LEAD
- 45 = GOLD
- 46 = 100% TIN

**ELECTRICAL:**

- CURRENT RATING = 3A MAX
- CONTACT RESISTANCE = 25 mΩ MAX (GOLD), 30 mΩ MAX (TIN)
- INSULATION RESISTANCE = 1,000 MΩ MIN
- DIELECTRIC STRENGTH = 750V AC/DC

**MECHANICAL:**

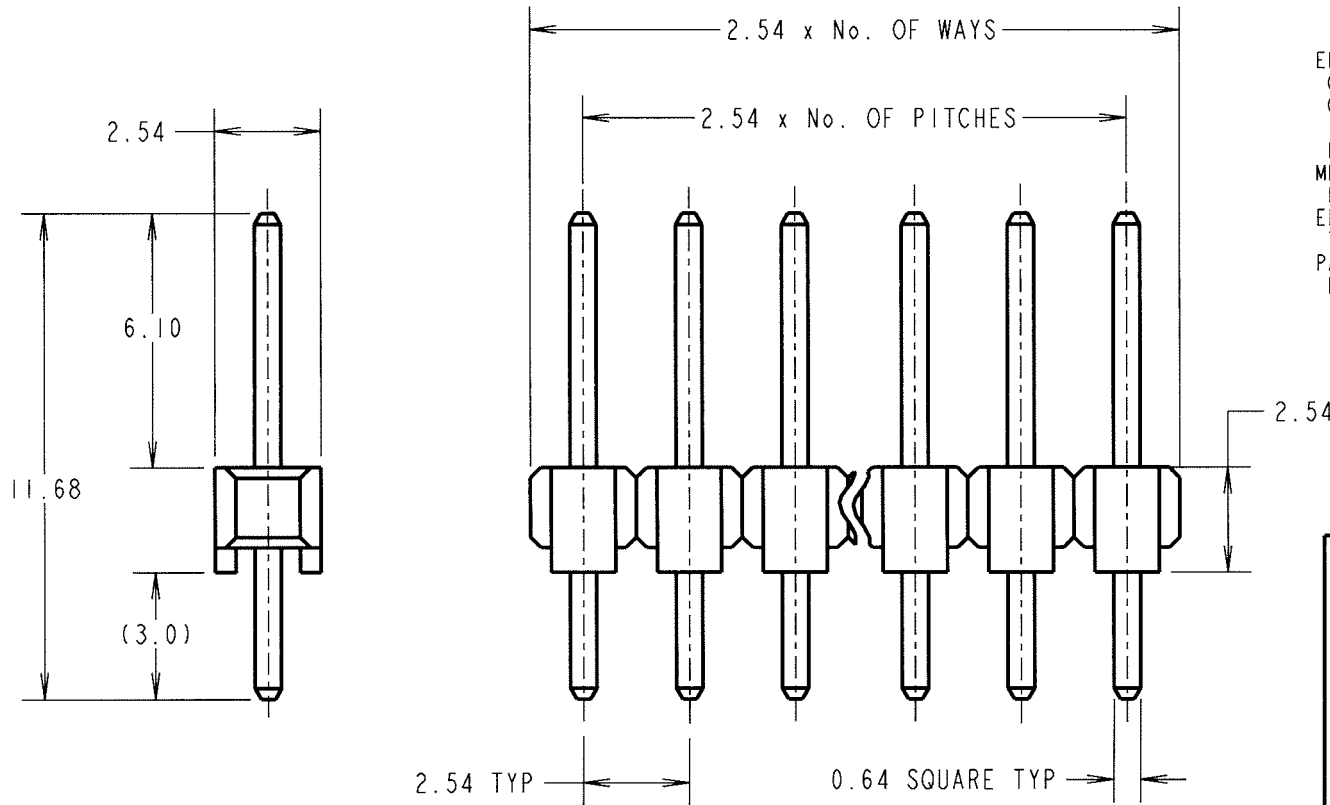
- DURABILITY = 300 OPERATIONS (GOLD), 50 OPERATIONS (TIN)

**ENVIRONMENTAL:**

- TEMPERATURE RANGE = -40°C TO +105°C

**PACKING:**

BAG



ORDER CODE:	<b>M20-999XXXX</b>
No. OF WAYS	02 TO 40
FINISH:	05 = GOLD 06 = TIN/LEAD 45 = GOLD 46 = 100% TIN

JAE	18	18.03.05	8458
NAME	ISS.	DATE	C/NOTE
APPROVED: <i>[Signature]</i>			
CHECKED: <i>[Signature]</i>			
DRAWN: P.ALEXANDER			
CUSTOMER REF.:			
ASSEMBLY DRG:			

**HARWIN**

THIS DRAWING AND ANY INFORMATION OR DESCRIPTIVE MATTER SET OUT HEREON ARE CONFIDENTIAL AND COPYRIGHT PROPERTY OF THE HARWIN GROUP AND MUST NOT BE DISCLOSED, LOANED, COPIED OR USED FOR MANUFACTURING, TENDERING OR FOR ANY OTHER PURPOSE WITHOUT THEIR WRITTEN PERMISSION.

**TOLERANCES**  
~~X = ±1mm~~  
~~X.X = ±0.25mm~~  
~~X.XX = ±0.10mm~~  
~~X.XXX = ±0.01mm~~  
 ANGLES = ±5°  
 UNLESS STATED

**MATERIAL:** SEE ABOVE  
**FINISH:** SEE ABOVE  
**S/AREA:** mm<sup>2</sup>

**TITLE:** 2.54mm PITCH SIL VERTICAL PC TAIL PIN HEADER ASSEMBLY  
**DRAWING NUMBER:** M20-999XXXX

<b>HARWIN INC</b> U.S.A. TEL: (812) 542 2540 FAX: (812) 542 2541	<b>HARWIN PLC</b> U.K. TEL: 023 9231 4545 FAX: 023 9231 4590	<b>HARWIN PTE</b> SINGAPORE TEL: 65 6779 4909 FAX: 65 6779 3868
---	---	--