

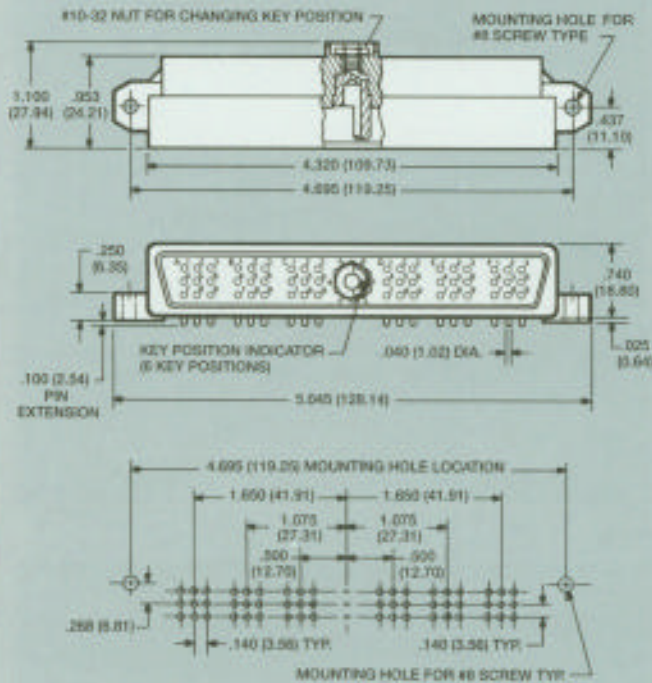
LMD Connector housing specifications

NOT AVAILABLE

6 BAY LMD HOUSINGS

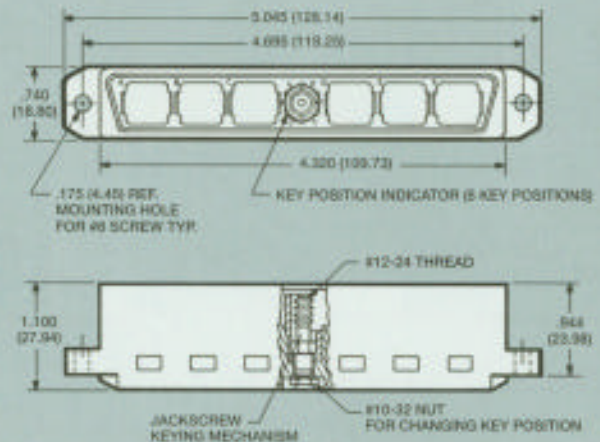
RECEPTACLE HOUSING RIGHT ANGLE PC TYPE, 6 BAY

Standard Black Thermoplastic: LMD-06BE()-01PJ*
 High Performance Composite: LMD-C6BE()-01PJ*
 White Nylon Material: LMD-F6BE()-01PJ*



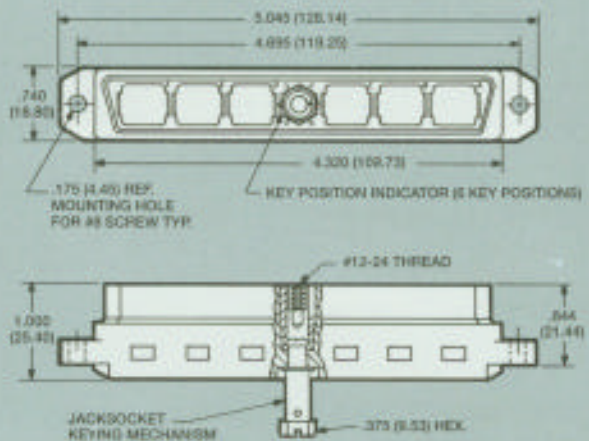
RECEPTACLE HOUSING, 6 BAY

Standard Black Thermoplastic: LMD-06RK()*
 High Performance Composite: LMD-C6RK()*
 White Nylon Material: LMD-F6RK()*



PLUG HOUSING, 6 BAY

Standard Black Thermoplastic: LMD-06PJ()*
 High Performance Composite: LMD-C6PJ()*
 White Nylon Material: LMD-F6PJ()*



HOW TO ORDER LMD HOUSINGS

* Housings are ordered separately from modules and contacts. Sample part number is shown as follows:

LMD - 0 6 P J ()

PRODUCT DESIGNATION

HOUSING MATERIAL**

0 designates standard black thermoplastic material
 C designates high performance composite material
 F designates white thermoplastic nylon material

NUMBER OF MODULES

(Cavities in plug or receptacle housing)

CONNECTOR TYPE

P designates plug
 R designates receptacle
 B designates PC receptacle with 90° fixed pin contacts

COUPLING MECHANISM

J designates jack-socket, rotating
 K designates jack-screw, fixed
 E designates without coupling mechanism

ALTERNATE KEYING (6 Positions) 1, 2, 3, 4, 5 or 6

Replace parenthesis () with alternate keying position desired.
 7 designates keying hardware shipped unassembled for field assembly
 8 designates no alternate keying hardware. Keyed through housing only.

** Housing material is standard black thermoplastic; for other materials, consult Amphenol, Sidney, NY for availability.

Note: See strain reliefs for use with 6 bay LMD connectors on page 9.

See Amphenol Product Data Sheet #176 which provides information on the availability of 4 bay and 2 bay plug and receptacle housings.