

High efficiency, single-character alphanumeric displays

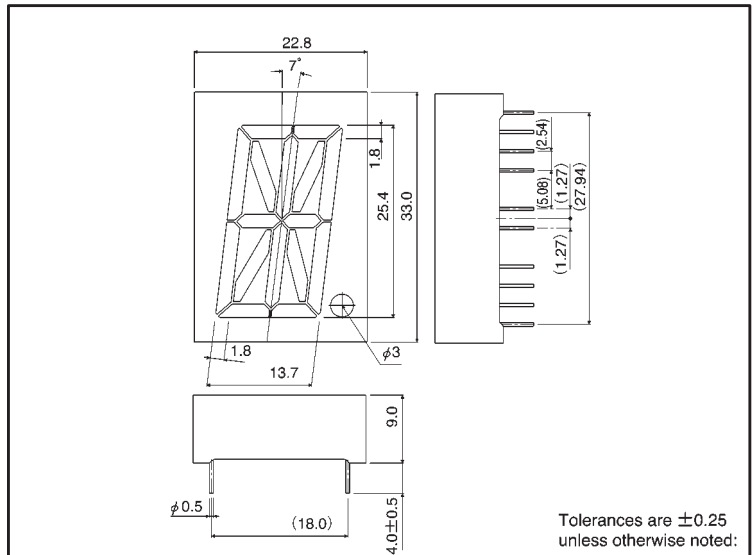
LA-131 AK Series

The LA-131 AK series are LED alphanumeric displays designed to be used in bright locations. The height of the character is 25.4 mm, and the color is bright red. These displays have been designed for use as large numeric displays.

●Features

- 1) Height of character : 25.4 mm.
- 2) Dimensions : 22.8 × 33 × 9 mm.
- 3) Common anode and common cathode configurations are available.
- 4) The package surface is painted black and the segments are milky white.
- 5) High luminance, clear display.

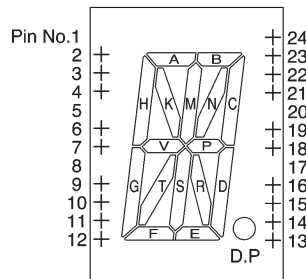
●External dimensions (Units: mm)



●Selection guide

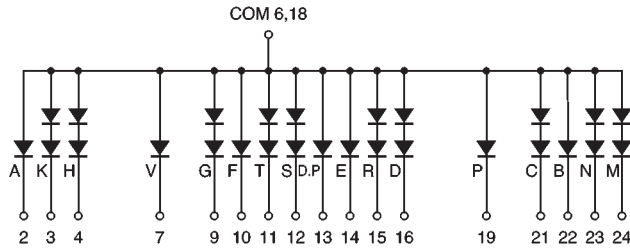
Emitting color	
Common	Red
Anode	LA-131LA
Cathode	LA-131LK

●Pin assignments



Pin No.	Function
2	Segment "A"
3	Segment "K"
4	Segment "H"
6	Common
7	Segment "V"
9	Segment "G"
10	Segment "F"
11	Segment "T"
12	Segment "S"
13	Segment "D.P"
14	Segment "E"
15	Segment "R"
16	Segment "D"
18	Common
19	Segment "P"
21	Segment "C"
22	Segment "B"
23	Segment "N"
24	Segment "M"

● Internal circuit schematic (example of common anode)



● Absolute maximum ratings ($T_a = 25^\circ\text{C}$)

Parameter	Symbol	Red	Unit
		LA-131LA / LK	
Power dissipation	P_D	1500	mW
Power dissipation	P_D / seg	125 / 2 elements 62.5 / 1 element	mW
Forward current	I_F	25	mA
Peak forward current	I_{FP}	80*	mA
Reverse voltage	V_R	8 / 2 elements 4 / 1 element	V
Operating temperature	T_{opr}	$-25 \sim +75$	$^\circ\text{C}$
Storage temperature	T_{stg}	$-30 \sim +85$	$^\circ\text{C}$

* Pulse width 1ms duty 1 / 5

● Electrical and optical characteristics ($T_a = 25^\circ\text{C}$)

Parameter	Symbol	Conditions	Red			Unit
			Min.	Typ.	Max.	
Forward voltage	V_F	$I_F=20\text{mA}$	—	1.75	2.5	V
Reverse current	I_R	$V_R=3\text{V}$	—	—	100	μA
Peak wavelength	λ_P	$I_F=20\text{mA}$	—	660	—	nm
Spectral line half width	$\Delta \lambda$	$I_F=20\text{mA}$	—	25	—	nm

© Not designed for radiation resistance.

The forward voltage and reverse current values are the guaranteed values per element.

● Luminous intensity

Color	λ_P	Type	Min.	Typ.	Max.	Unit
Red	660	LA-131LA	36	100	—	mcd
		LA-131LK				

Note: Measured at $I_F = 20 \text{ mA}$