

PRODUCT NUMBER
57202-XXX-XXXXXLF

PLATING
S = 0.38µm GOLD/GXT ON CONTACT AREA
3.81µm TIN LEAD ON TAIL
G = 0.76µm GOLD/GXT ON CONTACT AREA
3.81µm TIN LEAD ON TAIL
F = GOLD FLASH ON CONTACT AREA
3.81µm TIN LEAD ON TAIL

WHEN "LF" IS REQUIRED, 2µm MIN
MATTE TIN OVER 1.27µm MIN NICKEL
INSTEAD OF TIN-LEAD

WHEN REQUIRED, ADD SUFFIX
LETTER "LF" INDICATES THE
PRODUCT IS RoHS COMPATIBLE
SEE NOTE 7

POLARIZATION, SEE NOTE 6

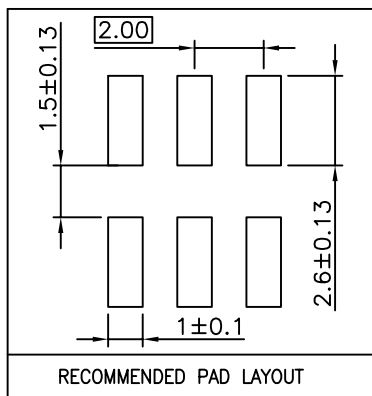
PACKAGING, SEE NOTE 5

NB OF POS PER ROW : 02 TO 25

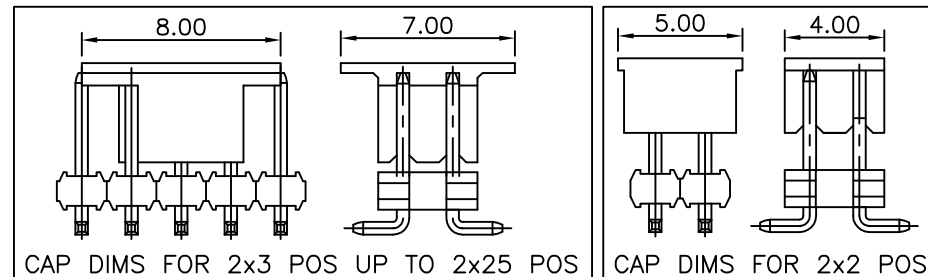
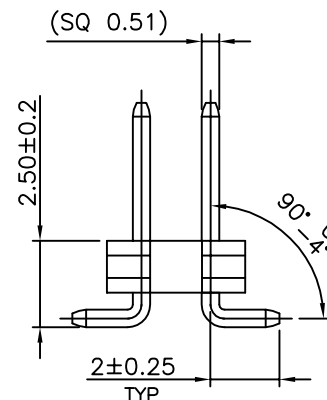
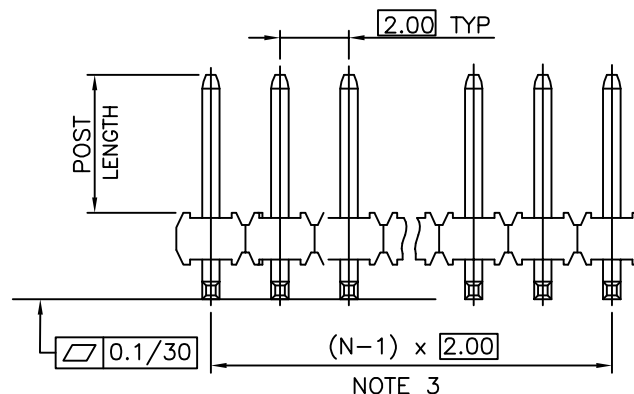
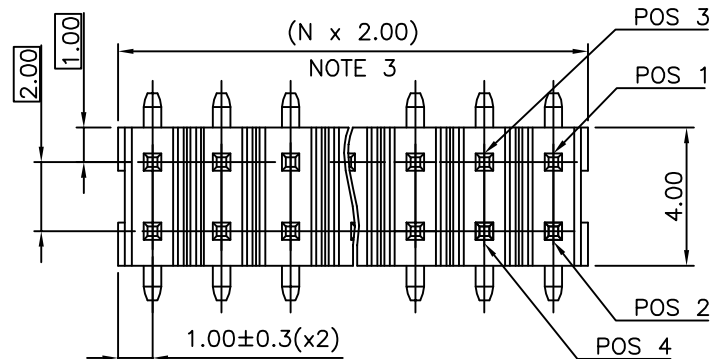
STYLE	POST LENGTH ±0.2
51	2.00
52	4.00
53	3.50
54	2.50

NOTES:

- MATERIAL HOUSING: HIGH TEMP. THERMOPLASTIC
UL 94V-0, COLOR BLACK
- MATERIAL TERMINAL: COPPER ALLOY
- TO DETERMINE DIMENSIONS:
N = NUMBER OF POSITIONS PER ROW.
- 7N MIN. PIN RETENTION IN EITHER DIRECTION.
- PACKAGING:
= PLASTIC BOX.
- = PLASTIC BOX WHEN POLARISATION FEATURE APPLICABLE.
U = TUBE AVAILABLE FROM 04 TO 25 POS PER ROW.
A = TAPE AND REEL WITH PICK UP CAP INSTALLED
IN THE CENTER OF THE PRODUCT FOR PICK AND PLACE
SEE TA 884 FOR PRODUCT AVAILABILITY.
K = TAPE AND REEL WITHOUT CAP, SEE TA884 FOR AVAILABILITY.
- FOR POLARIZATION, SPECIFY POSITION NUMBER TO OMIT.
EXAMPLE : 03 = OMIT PIN POSITION 3, SEE TOP VIEW.
OMIT FROM PRODUCT NUMBER IF THIS FEATURE IS NOT APPLICABLE.
- RoHS COMPATIBLE PRODUCT SPECIFICATIONS
 - PLATING:
- "LF" MEANS THE PRODUCT IS LEAD-FREE,
2µm MINIMUM MATTE TIN OVER 1.27µm
MINIMUM NICKEL UNDERPLATE.
 - MANUFACTURING PROCESS COMPATIBILITY
- THE HOUSING WILL WITHSTAND EXPOSURE TO
260°C PEAK TEMPERATURE FOR 30 SECONDES
IN A CONVECTION, INFRA-RED OR VAPOR
PHASE REFLOW OVEN.
 - LABELLING:
- MEETS PACKAGING SPECS AS PER GS-14-920
 - LEGAL STATEMENT : SEE GS-22-008



TOP VIEW



mat'l. code		surface		tolerance		projection		product family	
		ISO 1302		ISO 406		ISO 1101		MINITEK	
ltr		ecn no		date		tolerances unless otherwise specified		title	
L		F09-0087		JCO 09.09.04		.X ±0.3		UNSH HEADER	
M		F11-0026		LMU 11.05.12		linear .XX ±0.13		2.00 mm VERTICAL SMT	
						.XXX ±0.05		scale 1:1	
G		F05-0124		LMU 05.02.07		dr L.MULIN 04.05.06		dwg no	
H		F06-0210		LMU 06.07.04		engr J.COMPAGNON 0.4.11.25		sheet 1 of 1	
J		F06-0327		LMU 07.01.03		chr		size	
K		F08-0145		ELA 17.04.08		appd JM.C 04.11.25		57202	
sheet index		revision sheet						type	
								CUSTOMER Drawing	