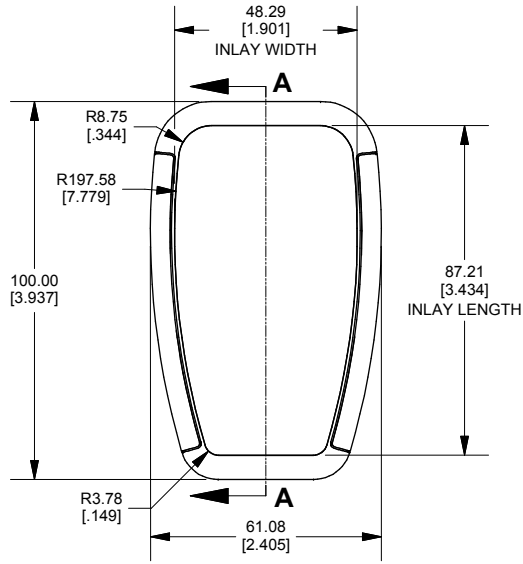
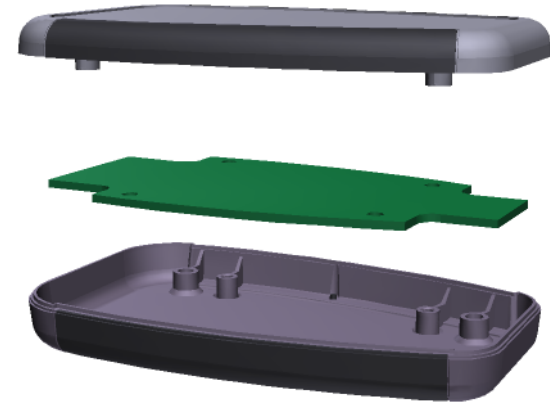
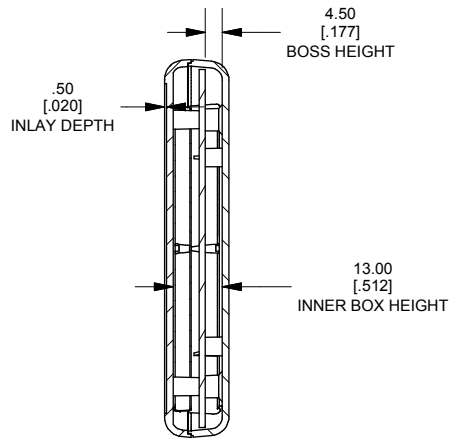


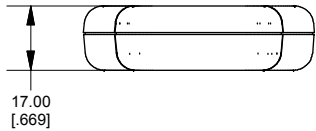
Top View of Assembly



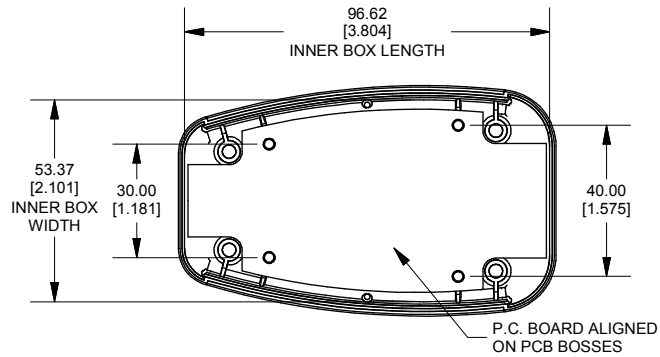
SECTION A-A (Side View Inside Assembly)



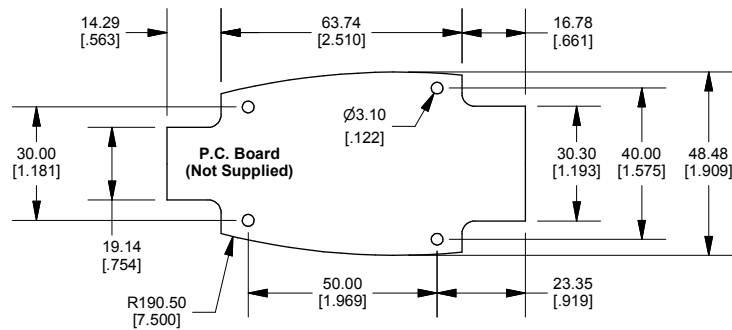
End View of Assembly



Inside of Bottom Cover



Recommended P.C. Board Size



Enclosures can be Factory Modified (Milling, Drilling, Printing etc.)
 Solid models of this enclosure available in STEP or IGES.
 Contact Factory mjm@hammondmfg.com

NOTE	
Enclosure molded from GP ABS plastic.	
Purchased assembly includes top and bottom cover, and 4 cover screws.	
PART NUMBERS	
1553B Enclosure	
Black Enclosure/Grey Over-mold	1553BBK
Grey Enclosure/Grey Over-mold	1553BGY
ACCESSORIES	
Replacement Cover Screws (Pkg 100)	1591TS100 (Silver) 1591TS100BK (Black)
P.C. Board Screws	1593ATS50 (Pkg 50) 1593ATS100 (Pkg 100)
Belt or Pocket Clip	1599CLIP (Black) 1599CLIPGY (Grey)

