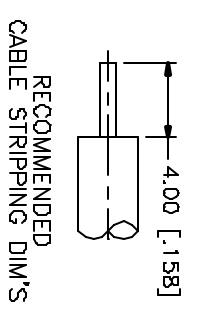
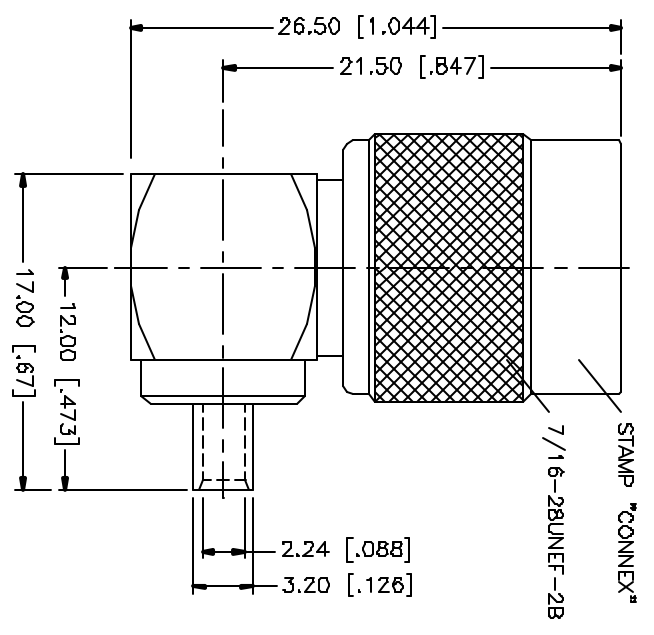


REV.	DATE	DESCRIPTION
A	03/18/05	UPDATE DRAWING FORMAT



8																			
7																			
6																			
5																			
4	CONTACT PIN	PHOS. BRONZE	GOLD	1															
3	INSULATOR	TEFLON	NATURAL	1															
2	BODY	BRASS	NICKSOTE	1															
1	SHELL	BRASS	NICKEL	1															
	DESCRIPTION	MATERIAL	FINISH	QTY															

UNLESS OTHERWISE SPECIFIED DIMENSIONS ARE IN INCHES AND FOR DECIMAL EQUIVALENT DIM'S.		APPROVALS		DATE	
TOLERANCES FOR HOLE DIMS ARE: 0.5 - 30mm ± 0.20mm B - 30mm ± 0.40mm 30 - 120mm ± 0.50mm		DRAWN G.R.S.		03/18/05	
TOLERANCES FOR HOLE DIMS ARE: .020 - .315 = ± 0.007" .315 - 1.180 = ± 0.015" 1.180 - 4.724 = ± 0.020"		CHECKED			
		ISSUED			
		SHEET		1 OF 1	
		DWG. NO.		122420.DWG	
		REV.		A	
		SIZE		A	
		SCALE		NA	

**Amphenol Connex**

TNC R/A DIRECT SOLDER PLUG  
(FOR .085", .086" CABLE)

122420