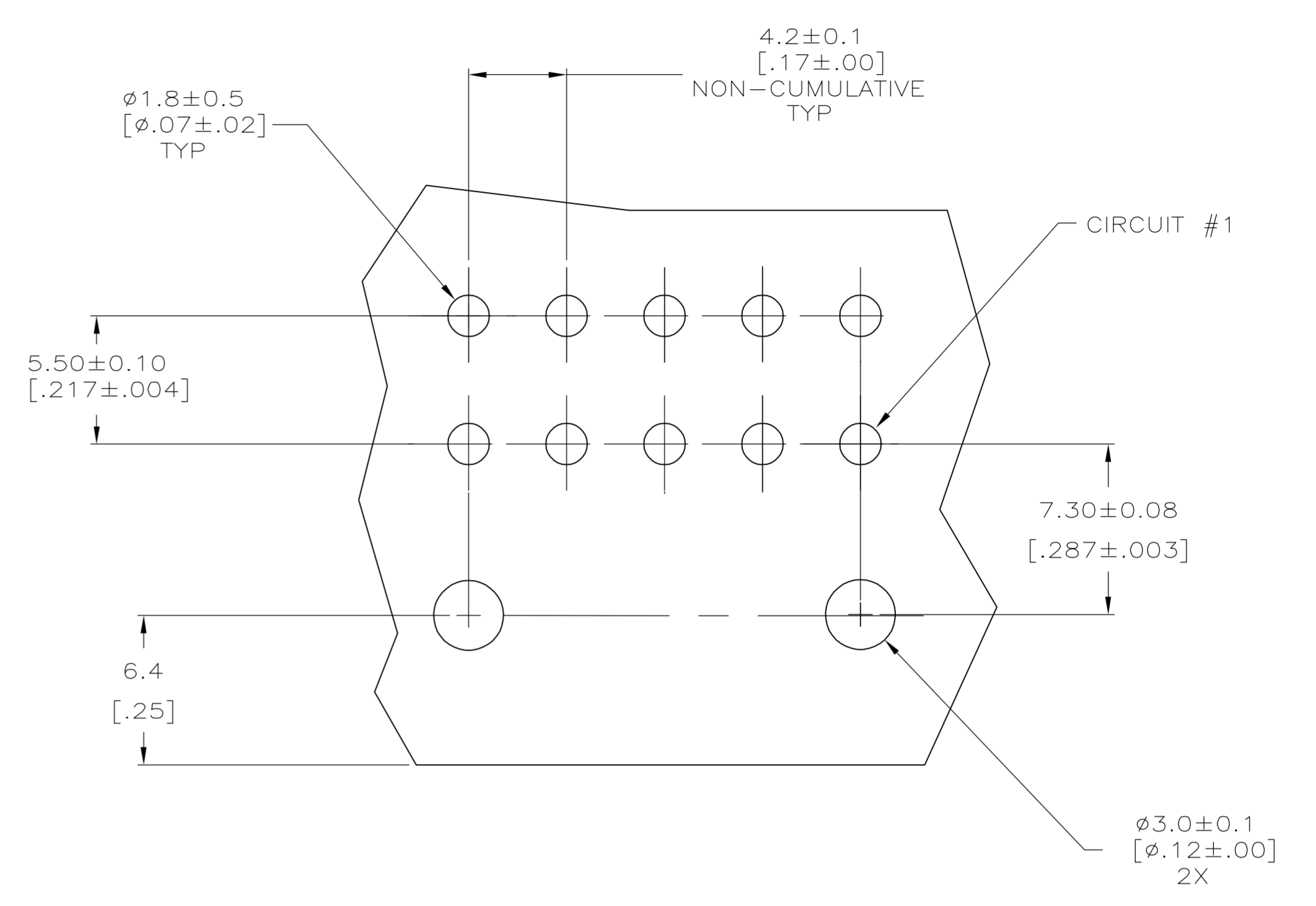
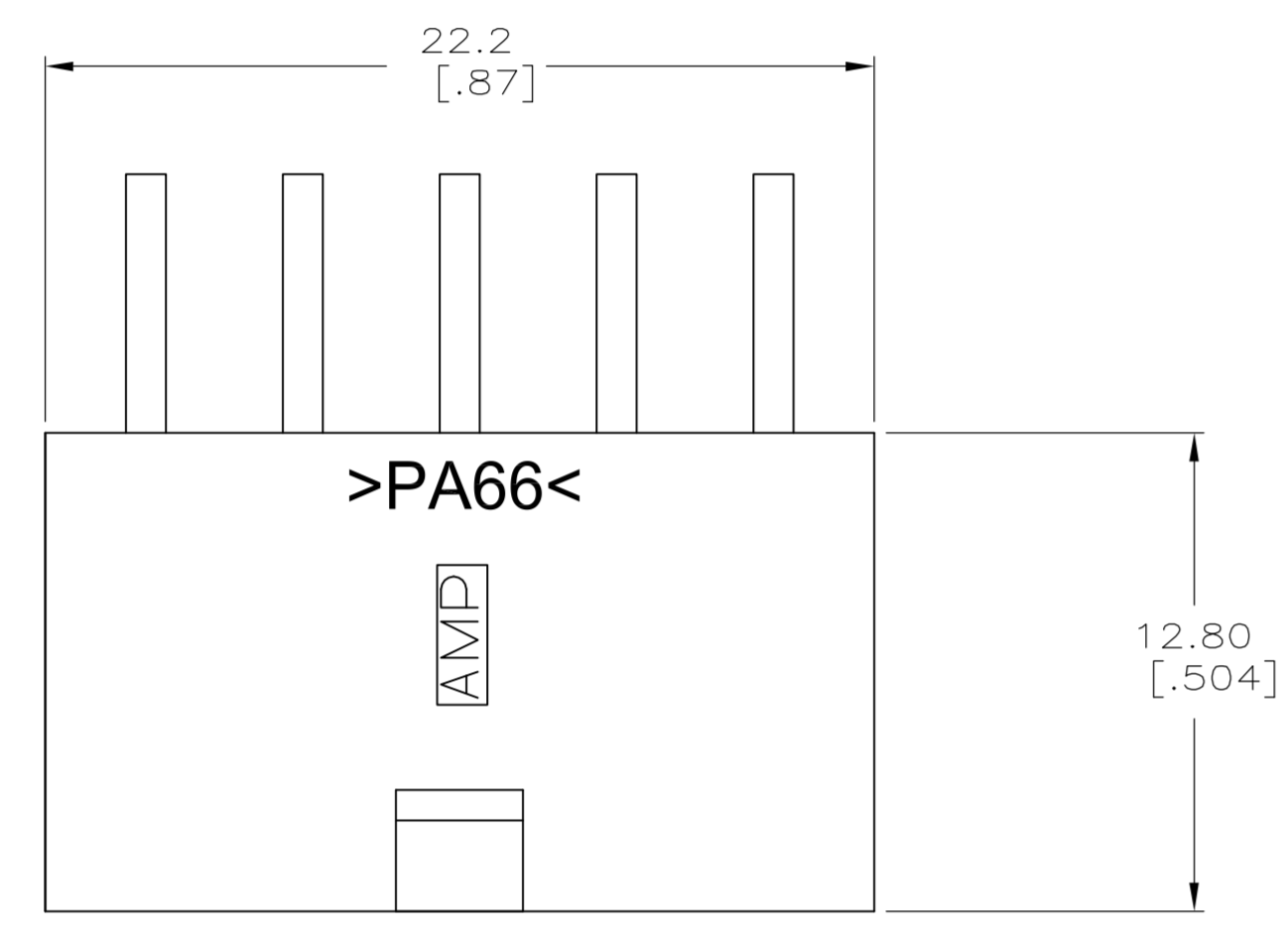
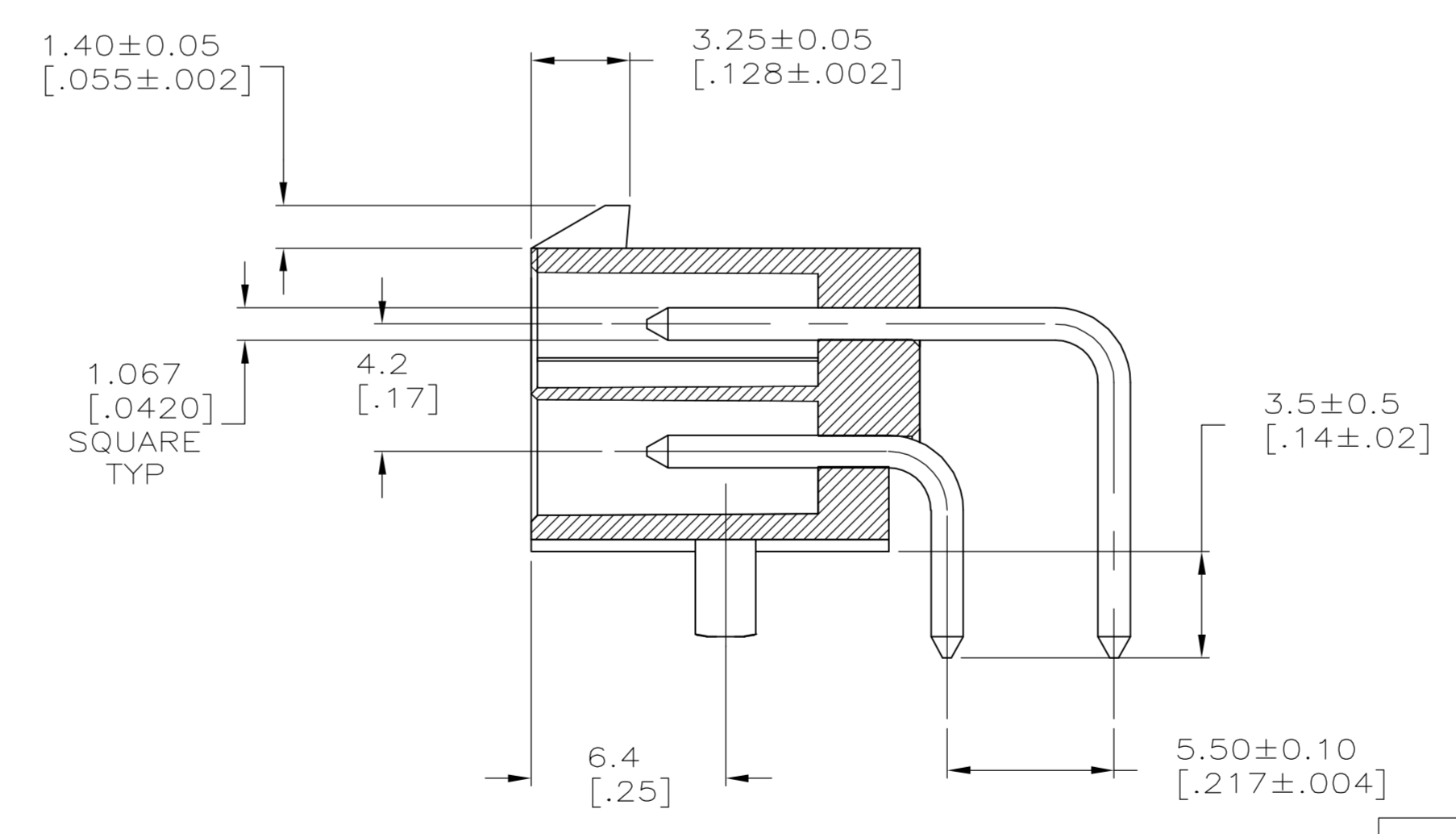
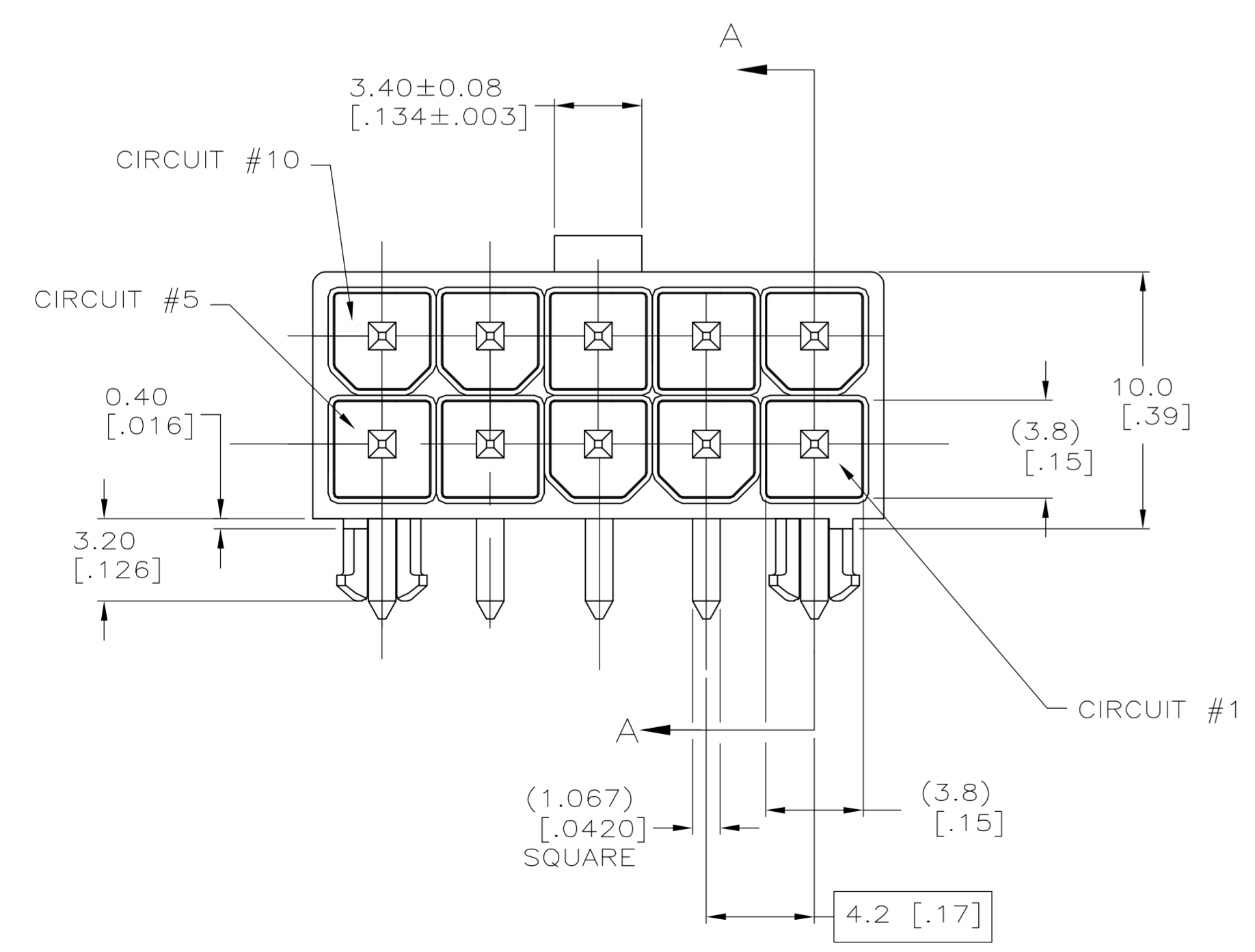


LOC		DIST		REVISIONS			
P	LTR	DESCRIPTION	DATE	DWN	APVD		
D		REVISED PER ECO-06-014735	10NOV06	KW	DC		

- 1 MATERIAL: HOUSING - NYLON, UL94V-2 (COLOR - NATURAL).
PIN - 1.067mm² [.0017in²] COPPER ALLOY.
- 2 PINS TO COMPLY WITH SOLDERABILITY SPEC 109-11-3.
- 3 0.00381 [.000150] MINIMUM TIN LEAD OVER 0.00127 [.000050] MINIMUM NICKEL, ENTIRE LENGTH OF PIN.
- 4 NOTE DELETED.
- 5 0.00381 [.000150] MINIMUM TIN OVER 0.00127 [.000050] MINIMUM NICKEL, ENTIRE LENGTH OF PIN.



RECOMMENDED MOUNTING HOLE PATTERN FOR 1.78 [.070] MAX THICK P.C. BOARD COMPONENT SIDE SHOWN



SUPERSEDED BY 1-794510-1

1	5	1	1	1-794510-1
1	3	1	1	794510-1
MATERIAL	FINISH	MATERIAL	COLOR	
PIN		HOUSING		ASSEMBLY

METRIC

THIS DRAWING IS A CONTROLLED DOCUMENT.

DIMENSIONS: mm [INCHES]	TOLERANCES UNLESS OTHERWISE SPECIFIED:	DWN S. HOOVER 02-MAR-2005	APVD D. COLEY 02-MAR-2005	NAME	tyco Electronics	Tyco Electronics Corporation Harrisburg, Pa 17105-3608
0 PLC ± .02 [01]	1 PLC ± .013 [005]	108-1646	114-6067	ASSEMBLY, HEADER, RIGHT ANGLE, 10 POSITION, W/PEGS, 94V-2, AMP-DUACTM POWER CONNECTOR	RESTRICTED TO	
MATERIAL SEE CHART	FINISH SEE CHART	SIZE A1	CAGE CODE 00779	DRAWING NO. C=794510	SCALE 5:1	SHEET 1 OF 1 REV D

CUSTOMER DRAWING