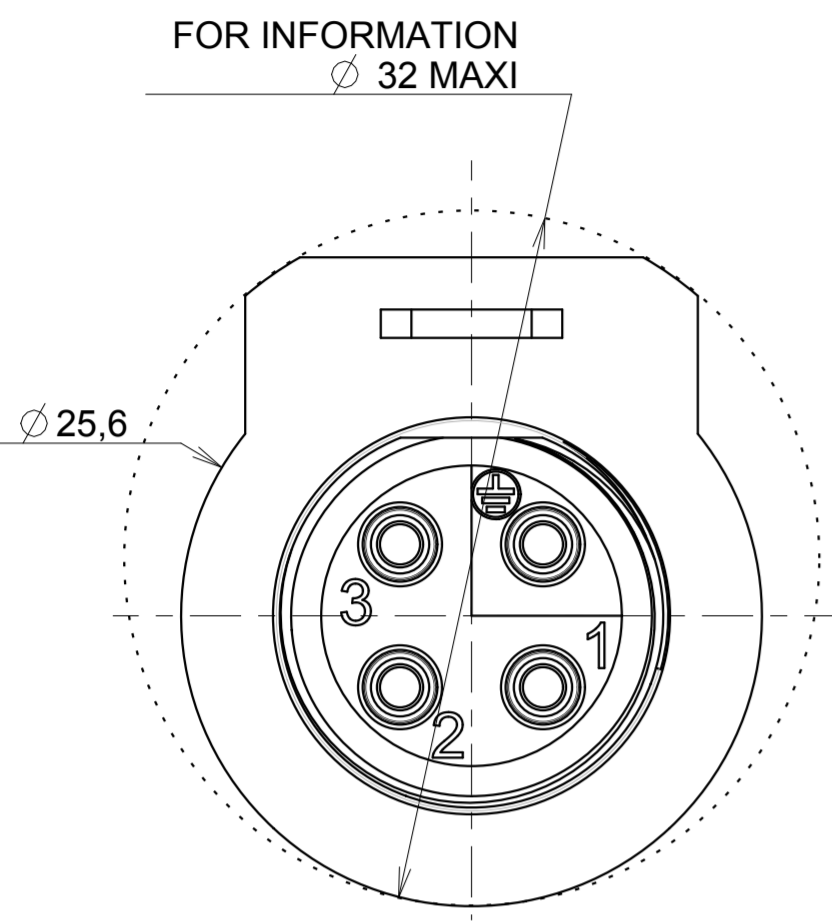
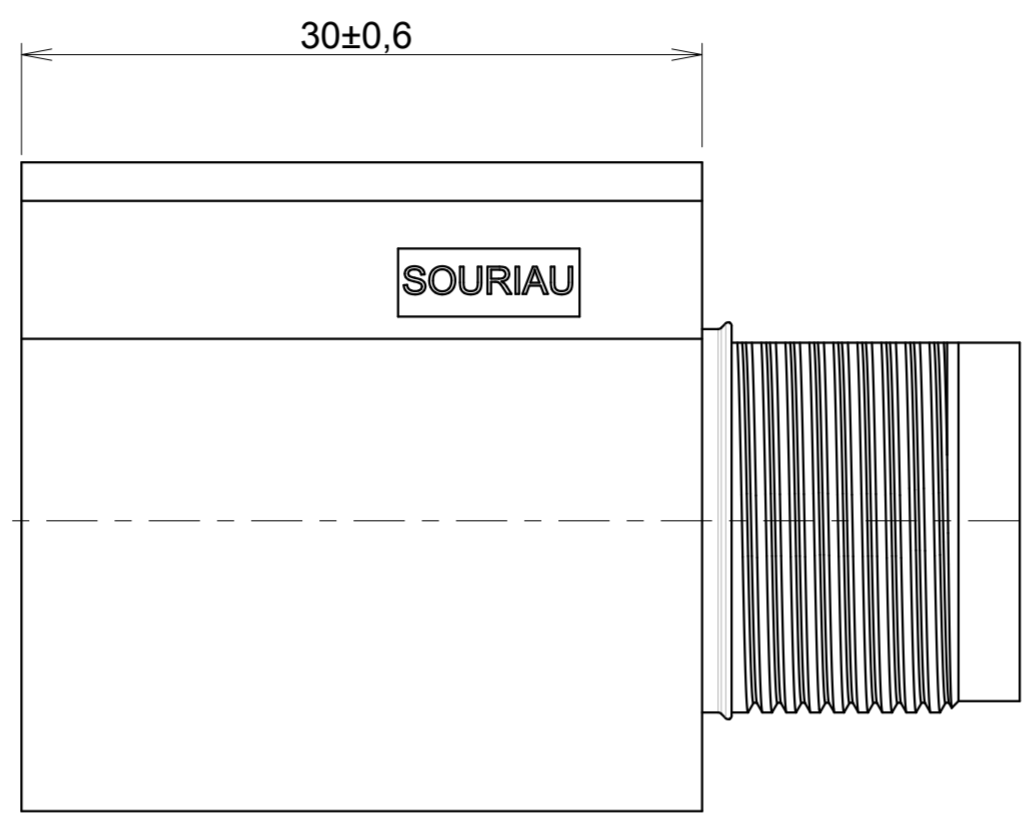
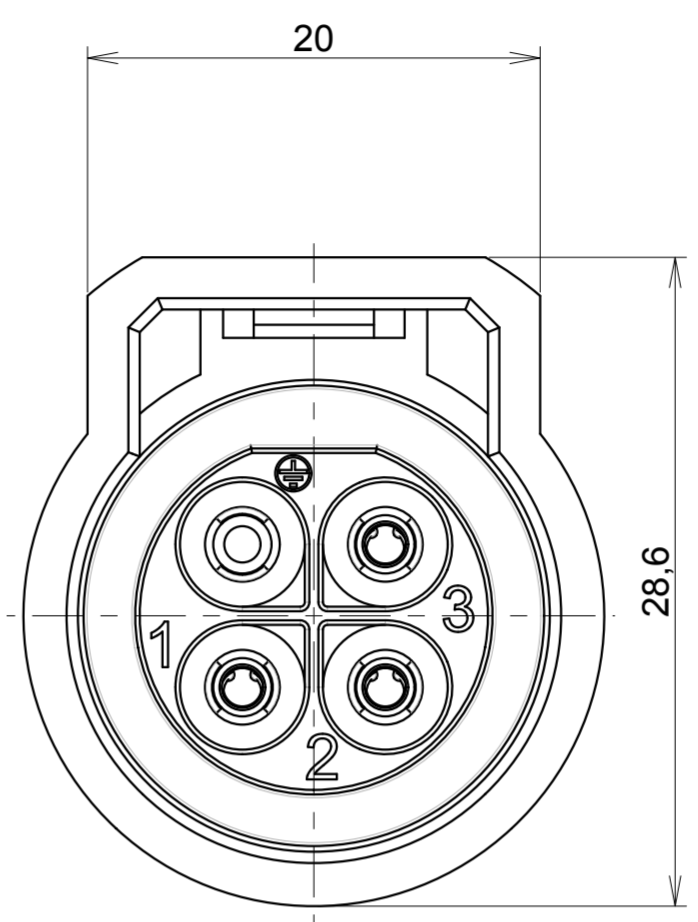


a : 1 : RL

WIRING FACE



MATING FACE

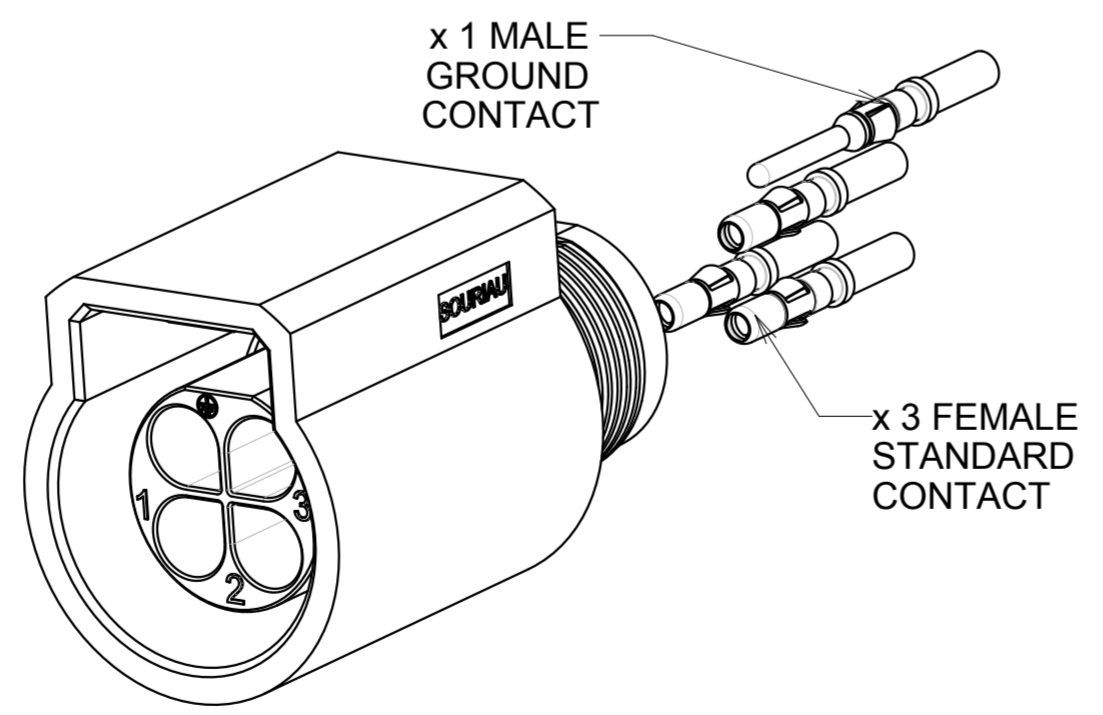


MATERIAL :
 Shell : PA colour black
 Contacts : Brass alloy + Nickel and Gold plated

PERFORMANCE CHARACTERISTICS :
 Nominal voltage , current : 277 Vac , 16A per UL standard
 Nominal voltage , current : 250 Vac , 16A per IEC60320-1
 Operating temperature:-40°C up to 80°C
 Corrosion salt spray:500 hours
 Durability: 500 matings and unmatings
 Sealing in mated conditions:
 -IP68 1 bar during 1 week : immersion under 10 m of water. (IEC 60529)
 -IP69K : exposure to high pressure water of cleaning equipment(DIN 40050)
 -IP67 compliant in unmated conditions (0.1 bar during 1/2 h : immersion under 1 m of water per IEC 60529)

Connector in accordance to :
 UL1977
 UL 5VA

NOTES :
 -1-Shell, o'ring and nut are delivered as pre-assembled kit.
 -2-Contacts to be orderd separately :
 ground male contact : x1 RM or SM contact type
 phase female contact : x3 RC or SC contact type
 -3-Unit: mm



P/N : UTL1103G1S

a	07/03/12	New drawing		
ISS	DATE	Latest modification - by:		MOD N°
Designed by:		RAGINE M.	Date:25/01/12	CUSTOMER DRAWING
TITLE		FEMALE FREE HANGING SIZE 10 UTL CONNECTOR		
Scale	1/1	General linear Tolerances: ± 0,3	NPRDS / PROJECT UTL	
		WWW.SOURIAU.COM		This document is the property of SOURIAU It must not be reproduced or communicated without permission
FORMAT	A2	SOURIAU DRG N° UTS2-0014A-C01		SHEET 1 / 1