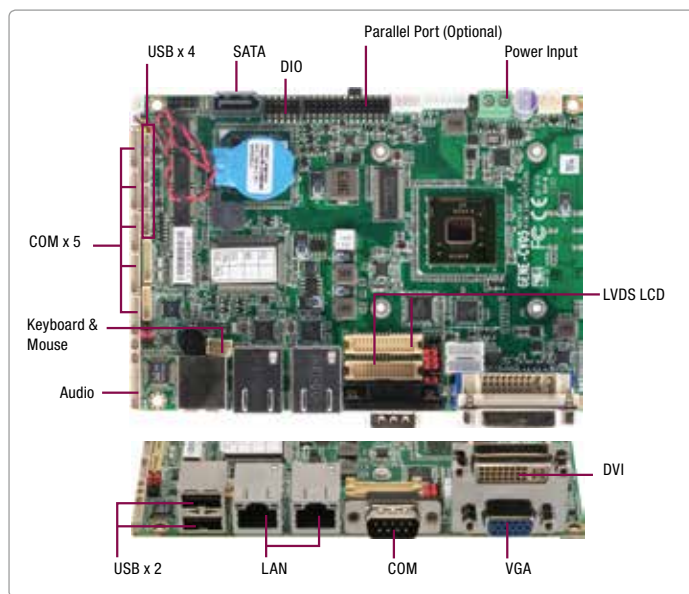


GENE-CV05

3.5" SubCompact Board With Intel® Atom™ D2550/N2800/N2600 Processor

03

SubCompact Boards



Specifications

System	
Form Factor	3.5"
Processor	Intel® Atom™ D2550/N2800/N2600 Processor
System Memory	204-pin DDR3 SODIMM x 1, Max. 4 GB (DDR3 800/1066) for Intel® Atom™ D2550/N2800 204-pin DDR3 SODIMM x 1, Max. 2 GB (DDR3 800/1066) for Intel® Atom™ N2600
Chipset	Intel® NM10
I/O Chipset	ITE 8783
Ethernet	Realtek RTL8111E, 10/100/1000Base-TX, RJ-45 x 2
BIOS	AMI Plug & Play SPI BIOS - 32MB Flash
Wake on LAN	Yes
Watchdog Timer	Generates a time-out system reset
H/W Status Monitoring	Supports power supply voltages and temperature monitoring
Expansion Interface	Mini Card x 1, LPC bus
Trusted Platform Module (TPM)	Infineon SLB 9635 TT 1.2 (Optional)
Battery	Lithium battery
Power Requirement	+12V AT/ATX
Power Consumption (Typical)	Intel® Atom™ N2800, DDR3 1333 4G 1.00A@+12V Intel® Atom™ N2600, DDR3 1066 2G 0.87A@+12V Intel® Atom™ D2550, DDR3 1333 4G 1.24A@+12V
Board Size	5.75"(L) x 4"(W) (146mm x 101.6mm)
Gross Weight	0.88lb (0.4kg)
Operating Temperature	32°F ~ 140°F (0°C ~ 60°C), -40°F ~ 185°F (-40°C ~ 85°C) for WiTAS 2
Storage Temperature	-40°F ~ 185°F (-40°C ~ 85°C)
Operating Humidity	0% ~ 90% relative humidity, non-condensing
MTBF (Hours)	62,000@D2000 series
Display	
	Supports CRT/LCD, DVI/LCD simultaneous/ dual view displays
Chipset	Intel® Atom™ D2550/ N2800/ N2600 integrated
Memory	Shared system memory up to 256MB
Resolutions	Up to 1920 x 1200 for CRT, DVI Up to 1366 x 768 for LCD
LCD Interface	Dual LVDS LCDs: 24-bit Single Channel LVDS LCD + 18/24-bit Dual-channel LVDS LCD for Intel® Atom™ D2550, 18-bit Single Channel LVDS LCD + 18/24-bit Dual-Channel LVDS LCD for Intel® Atom™ N2800/N2600
DVI	DVI x 1, available with 1 active LVDS interface (either 18-bit or 24-bit)

Features

- Intel® Atom™ D2550/N2800/N2600 Processor
- Intel® NM10
- DDR3 800/1066 SODIMM, Max. 4 GB For Intel® Atom™ D2550/N2800 and Max. 2 GB For Intel® Atom™ N2600
- Gigabit Ethernet x 2, RJ-45 x 2
- CRT, DVI, 18/24-bit Single Channel LVDS LCD + 18/24-bit Dual-Channel LVDS LCD For Intel® Atom™ D2550
CRT, DVI, 18-bit Single Channel LVDS LCD + 18/24-bit Dual-Channel LVDS LCD For Intel® Atom™ N2800/N2600
- 2CH HD Audio + 2W Amplifier
- SATA 3.0Gb/s x 1, CFast™ x 1
- USB2.0 x 6, COM x 6, 8-Bit Digital I/O, Parallel x 1 (Optional)
- Onboard 4/5/8-wire Resistive Touch Screen Controller
- Mini Card x 1
- +12V Only Operation
- Onboard Trusted Platform Module (Optional)
- mSATA x 1 (Optional, Would Replace Mini Card Interface)
- AAEON Hi-Safe SDK/Utility Supported



I/O	
Storage	SATA 3.0Gb/s x 1, CFast™ x 1
Serial Port	RS-232 x 5, RS-232/422/485 (auto flow) x 1
Parallel Port	SPP/EPP/ECP x 1 (optional)
USB	USB2.0 x 6
PS/2 Port	Keyboard x 1, Mouse x 1
Digital I/O	Supports 8-bit (Programmable)
Audio	Line-in, Line-out, Mic-in
Touch Screen	Supports 4/5/8-wire resistive touch screen

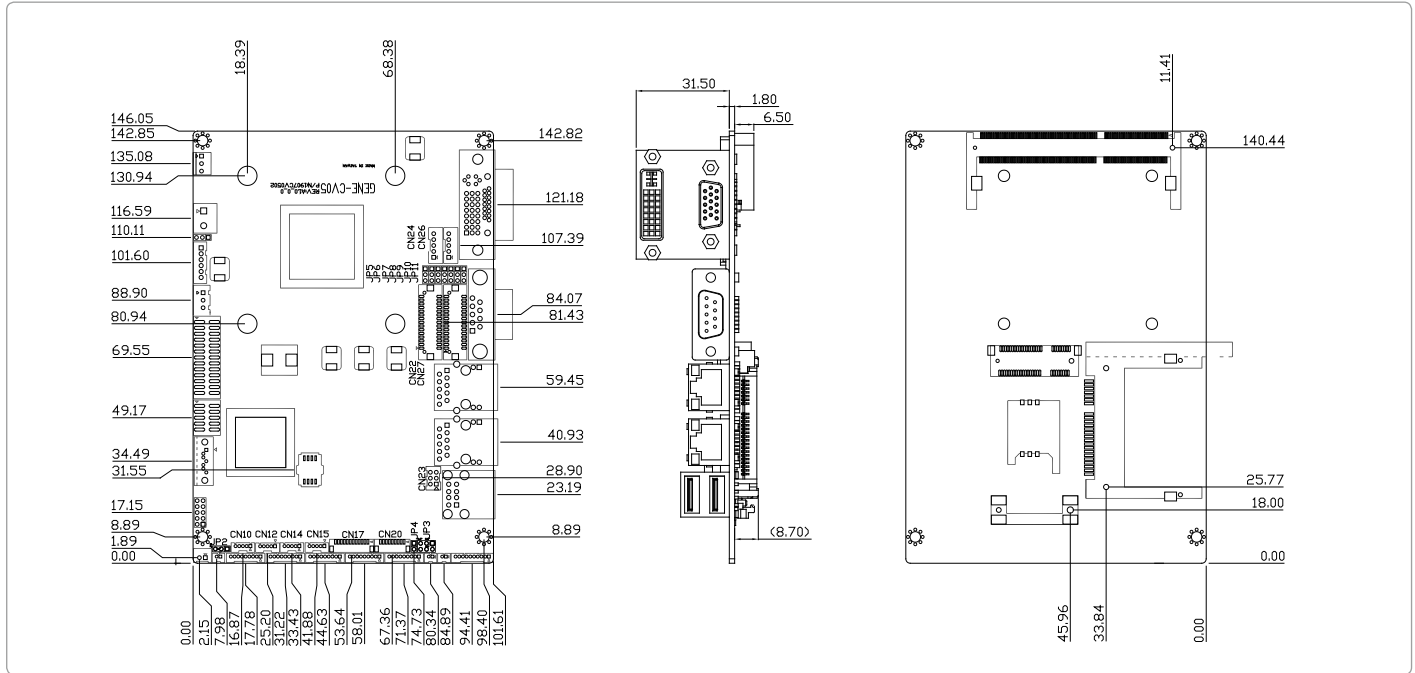
Packing List

- Product DVD
- GENE-CV05 with Active Cooler (Intel® Atom™ D2550 Version) or with Passive Heatsink (Intel® Atom™ N2800/N2600 Version)

GENE-CV05

Dimension

Unit: mm



Ordering Information

Part Number	CPU	Fan/Fanless	Display	Storage	LVDS	Touch	LAN	USB	RS-232	RS-232/422/485	Expansion Slot	Power	Temp
TF-GENE-CV05-A10-11	Intel® Atom™ N2800	Fanless	CRT + LVDS (1 or 2) CRT + DVI LVDS (1 or 2) + DVI LVDS1 + LVDS2	SATA x 1 CFast™ x 1	1st 18b, 1CH 2nd 24-bit, 2CH	1	GbE x 2	6	5	1	Mini Card x 1	+12V, AT/ATX	0°C ~ 60°C
TF-GENE-CV05-A10-12	Intel® Atom™ N2600	Fanless	CRT + LVDS (1 or 2) CRT + DVI LVDS (1 or 2) + DVI LVDS1 + LVDS2	SATA x 1 CFast™ x 1	1st 18b, 1CH 2nd 24-bit, 2CH	1	GbE x 2	6	5	1	Mini Card x 1	+12V, AT/ATX	0°C ~ 60°C
TF-GENE-CV05-A10-13	Intel® Atom™ N2600	Fanless	CRT + LVDS	SATA x 1 CFast™ x 1	18b, 1CH	—	GbE x 2	6	3	1	Mini Card x 1	+12V, AT/ATX	0°C ~ 60°C
TF-GENE-CV05-A10-14	Intel® Atom™ D2550	Fan	CRT + LVDS (1 or 2) CRT + DVI LVDS (1 or 2) + DVI LVDS1 + LVDS2	SATA x 1 CFast™ x 1	1st 24-bit, 1CH 2nd 24-bit, 2CH	1	GbE x 2	6	5	1	Mini Card x 1	+12V, AT/ATX	0°C ~ 60°C
TF-GENE-CV05W2-A10-13	Intel® Atom™ N2600	Fanless	CRT + LVDS	SATA x 1 CFast™ x 1	18b, 1CH	—	GbE x 2	6	3	1	Mini Card x 1	+12V, AT/ATX	WITAS 2 (-40°C ~ 85°C)

Optional Accessories

- **1700050207**
USB Cable, Length 20cm
- **1701090150**
COM Port Cable, Length 15cm
- **1709100254**
Audio Cable, Length 25cm
- **1709070500**
SATA Cable, Length 50cm
- **1701260200**
Parallel Port Cable, Length 20cm
- **170204010R**
Big Double Row 4-Pin Power Input Cable For +12V Input, Length 10cm
- **1702150155**
Power Cable for 2.5" SATA Hard Disk, Length 15cm
- **170220020B**
Conversion Cable ATX Power Supply, Length 20cm
- **1700060157**
Keyboard/Mouse Cable