



# TAI-SAW TECHNOLOGY CO., LTD.

No. 3, Industrial 2nd Rd., Ping-Chen Industrial District,  
Taoyuan, 324, Taiwan, R.O.C.

TEL: 886-3-4690038 FAX: 886-3-4697532

E-mail: [tstsales@mail.taisaw.com](mailto:tstsales@mail.taisaw.com) Web: [www.taisaw.com](http://www.taisaw.com)

## Approval Sheet For Product Specification

Issued Date:

Product Name: SAW Filter 1300MHz SMD 3.0×3.0mm

TST Parts No.:TA0536A

Customer Parts No.:\_\_\_\_\_

Company: _____
Division: _____
Approved by : _____
Date: _____

Checked by: \_\_\_\_\_ Elvis Chiu

Approval by: \_\_\_\_\_ Francis Chen

Date: \_\_\_\_\_ 2005/01/11



# TAI-SAW TECHNOLOGY CO., LTD.

No. 3, Industrial 2nd Rd., Ping-Chen Industrial District,  
Taoyuan, 324, Taiwan, R.O.C.

TEL: 886-3-4690038 FAX: 886-3-4697532

E-mail: [tstsales@mail.taisaw.com](mailto:tstsales@mail.taisaw.com) Web: [www.taisaw.com](http://www.taisaw.com)

## SAW Filter 1300 MHz

MODEL NO.: TA0536A

REV. NO.:1

### A. MAXIMUM RATING:

1. Input Power Level: 10 dB<sub>m</sub>
2. DC voltage: 3 V
3. Operating Temperature: -40°C to 85°C
4. Storage Temperature: -40°C to +85°C

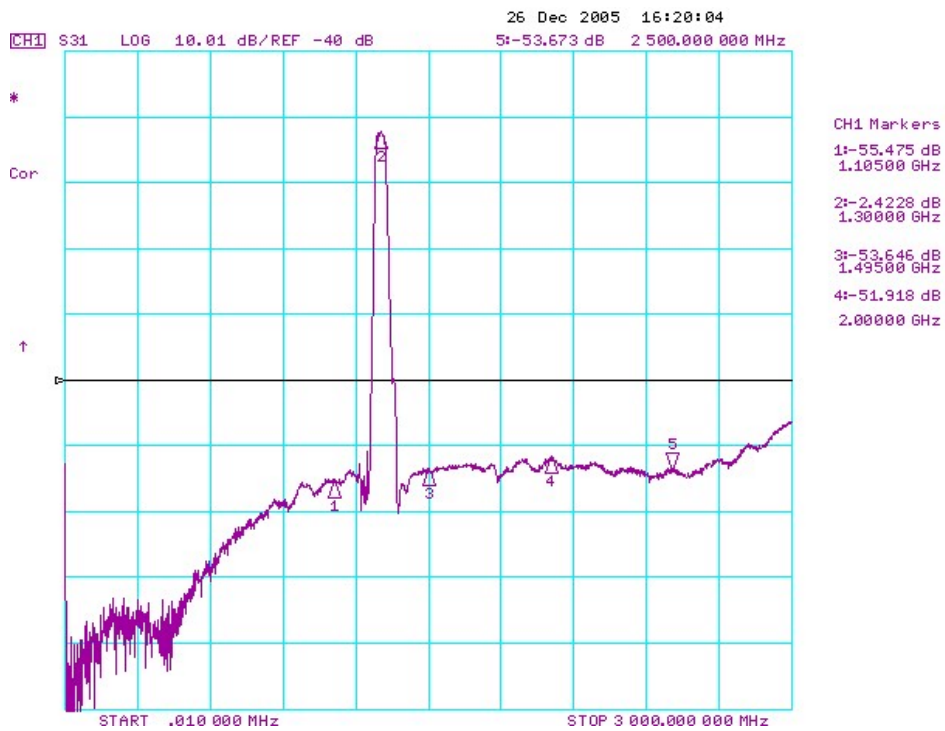
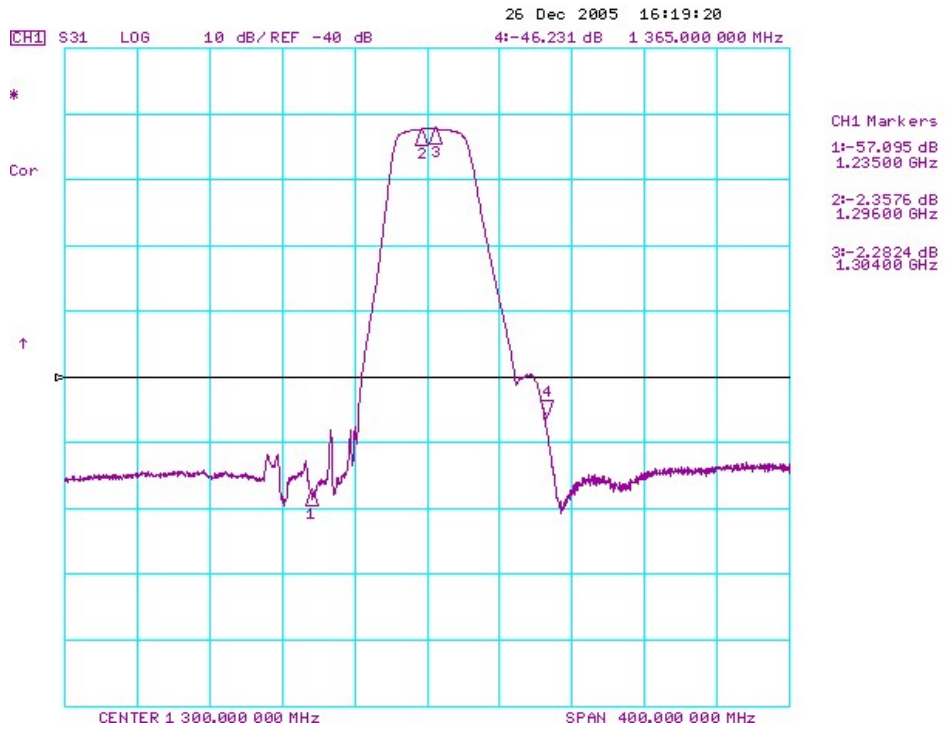
RoHS Compliant  
Lead free  
Lead-free soldering

### B. CHARACTERISTICS:

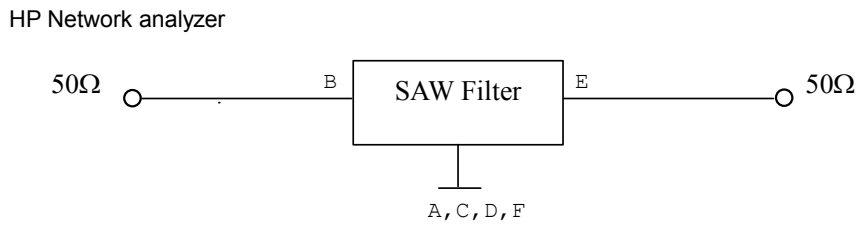
Item	Unit	Min.	Typ.	Max.
Center Frequency	MHz	-	1300	-
Insertion Loss      1296 ~ 1304 MHz	dB	-	2.4	4.5
Ripple                    1296 ~ 1304 MHz	dB	-	0.2	1.6
Attenuation(Reference level from IL <sub>min</sub> )				
5 ~ 1105                    MHz	dB	40	52	-
1105 ~ 1235                MHz	dB	33	47	-
1365 ~ 1495                MHz	dB	22	42	-
1495 ~ 2000                MHz	dB	30	49	-
2000 ~ 2500                MHz	dB	24	47	-
Source Impedance	Ω	-	50	-
Load Impedance	Ω	-	50	-

Note1. No matching network required for operation at 50Ω.

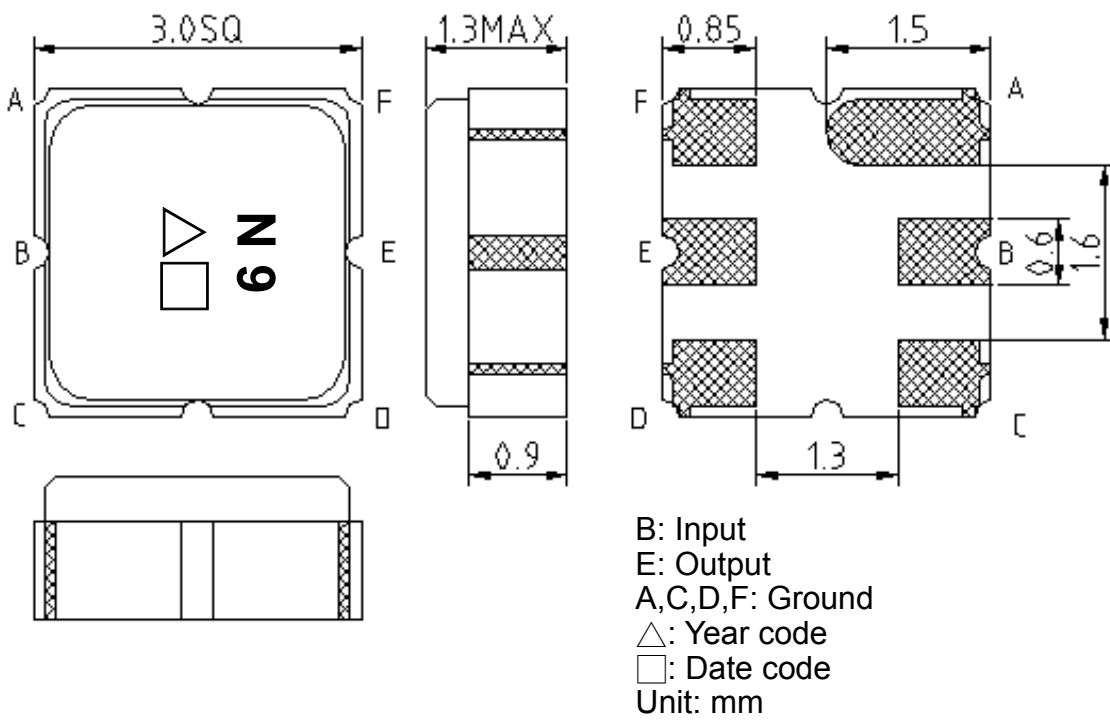
### C. TRANSFER FUNCTION :



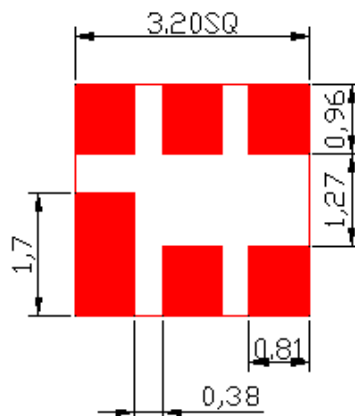
**D. MEASUREMENT CIRCUIT:**



**E. OUTLINE DRAWING:**

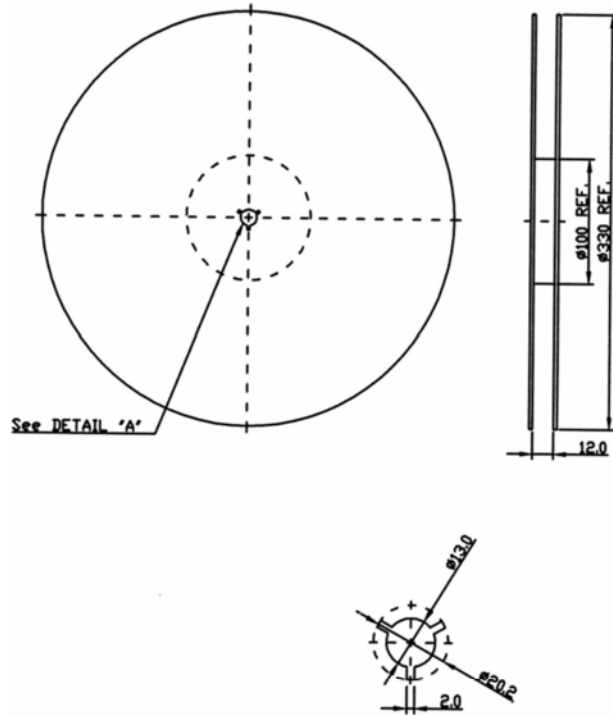


**F. PCB FOOTPRINT:**



## G. PACKING:

### 1. REEL DIMENSION



### 2. TAPE DIMENSION

