



## Bulkhead 3/4 inch-20 Female to 3/4 inch-20 Female Adapter

### TECHNICAL DATA SHEET

PE9373

#### Bulkhead 3/4 inch-20 Female to 3/4 inch-20 Female Adapter

##### Configuration

Connector 1	3/4"-20 Female
Impedance 1	95 Ohms
Connector 2	3/4"-20 Female
Impedance 2	95 Ohms
Adapter Design	Standard
Body Style	Straight
Mount Method	Bulkhead

##### Mechanical Specifications

###### Size

Length, in [mm]	1.72 [43.69]
Width/Dia., in [mm]	0.865 [21.97]

###### Connector 1

Type	3/4"-20 Female
------	----------------

###### Connector 2

Type	3/4"-20 Female
------	----------------

**Compliance Certifications** (visit [www.Pasternack.com](http://www.Pasternack.com) for current document)

##### Plotted and Other Data

Notes: Values at 25 °C, sea level

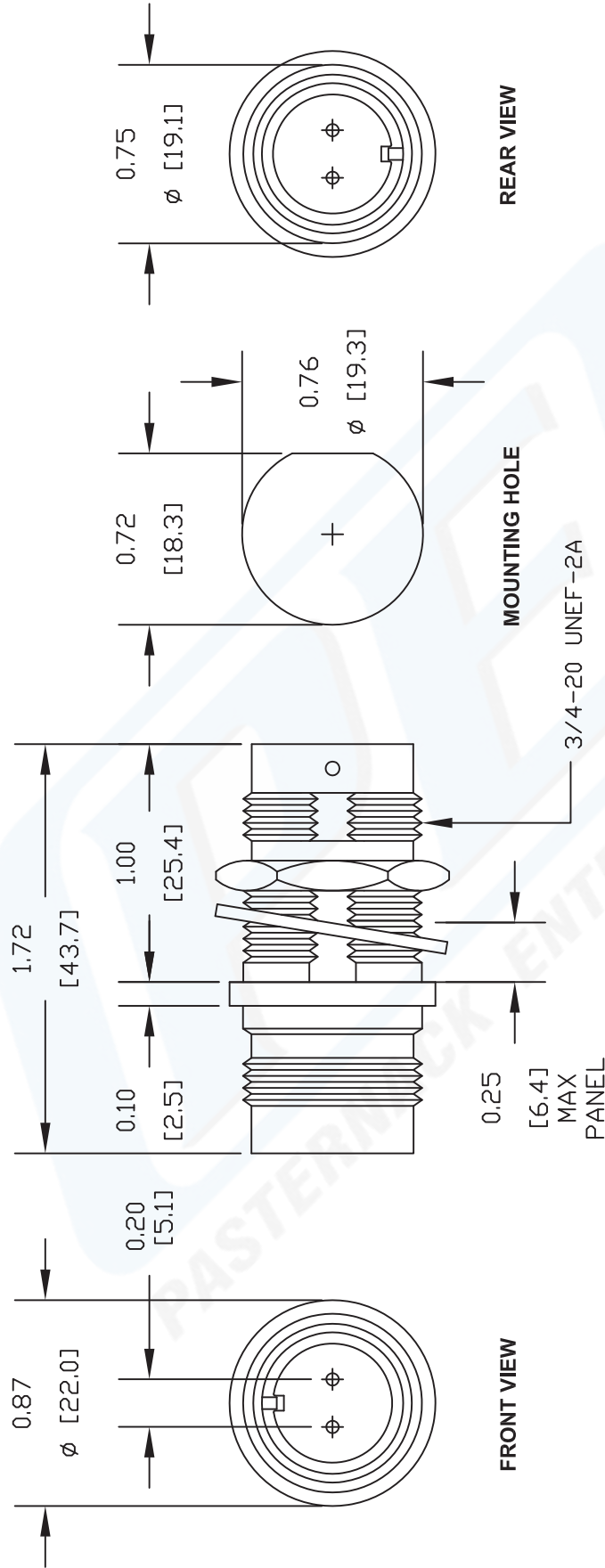
URL: <http://www.pasternack.com/3-4-inch-20-female-3-4-inch-20-female-straight-adapter-pe9373-p.aspx>

Bulkhead 3/4 inch-20 Female to 3/4 inch-20 Female Adapter from Pasternack Enterprises has same day shipment for domestic and International orders. Our RF, microwave and fiber optic products maintain a 99% availability and are part of the broadest selection in the industry.

The information contained in this document is accurate to the best of our knowledge and representative of the part described herein. It may be necessary to make modifications to the part and/or the documentation of the part, in order to implement improvements. Pasternack reserves the right to make such changes as required. Unless otherwise stated, all specifications are nominal.

# PE9373 CAD Drawing

Bulkhead 3/4 inch-20 Female to 3/4 inch-20 Female Adapter



NOTES:  
 1. UNLESS OTHERWISE SPECIFIED ALL DIMENSIONS ARE NOMINAL.  
 2. ALL SPECIFICATIONS ARE SUBJECT TO CHANGE WITHOUT NOTICE AT ANY TIME.  
 3. DIMENSIONS ARE IN INCHES [mm].

DWG TITLE  
**PE9373**

**PASTERNAK ENTERPRISES, INC.**  
 P O BOX 16759, IRVINE, CA 92623  
 PHONE (949) 261-1920 FAX (949) 261-7451  
 WEB ADDRESS: [www.pasternack.com](http://www.pasternack.com)  
 E-MAIL ADDRESS: [sales@pasternack.com](mailto:sales@pasternack.com)  
**COAXIAL & FIBER OPTICS**



REV. A	FSCM NO. 53919	CAD FILE 052609	SCALE N/A	SIZE A	127
--------	----------------	-----------------	-----------	--------	-----