



## 75 Ohm N Male to BNC Male Adapter

### TECHNICAL DATA SHEET

PE9370

#### 75 Ohm N Male to BNC Male Adapter

##### Configuration

|                |          |
|----------------|----------|
| Connector 1    | N Male   |
| Impedance 1    | 75 Ohms  |
| Connector 2    | BNC Male |
| Impedance 2    | 75 Ohms  |
| Adapter Design | Standard |
| Body Style     | Straight |

##### Mechanical Specifications

###### Size

|                     |               |
|---------------------|---------------|
| Length, in [mm]     | 1.495 [37.97] |
| Width/Dia., in [mm] | 0.8 [20.32]   |

###### Connector 1

|                                      |               |
|--------------------------------------|---------------|
| Type                                 | N Male        |
| Inner Conductor Material and Plating | Brass, Gold   |
| Coupling Nut Material and Plating    | Brass, Nickel |
| Body Material and Plating            | Brass, Nickel |
| Dielectric Type                      | Teflon        |

###### Connector 2

|                                      |               |
|--------------------------------------|---------------|
| Type                                 | BNC Male      |
| Inner Conductor Material and Plating | Brass, Gold   |
| Coupling Nut Material and Plating    | Brass, Nickel |
| Body Material and Plating            | Brass, Nickel |
| Dielectric Type                      | Teflon        |

##### Compliance Certifications (visit [www.Pasternack.com](http://www.Pasternack.com) for current document)

|                |     |
|----------------|-----|
| RoHS Compliant | Yes |
|----------------|-----|

##### Plotted and Other Data

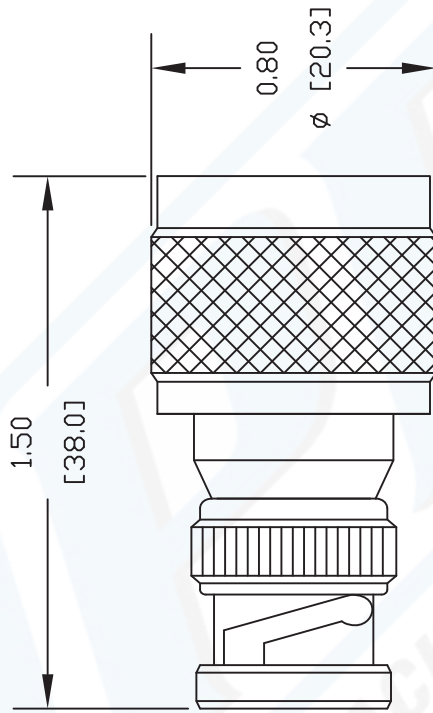
|        |                            |
|--------|----------------------------|
| Notes: | Values at 25 °C, sea level |
|--------|----------------------------|

URL: <http://www.pasternack.com/n-male-bnc-male-straight-adapter-pe9370-p.aspx>

75 Ohm N Male to BNC Male Adapter from Pasternack Enterprises has same day shipment for domestic and International orders. Our RF, microwave and fiber optic products maintain a 99% availability and are part of the broadest selection in the industry.

The information contained in this document is accurate to the best of our knowledge and representative of the part described herein. It may be necessary to make modifications to the part and/or the documentation of the part, in order to implement improvements. Pasternack reserves the right to make such changes as required. Unless otherwise stated, all specifications are nominal.

**PE9370 CAD Drawing**  
75 Ohm N Male to BNC Male Adapter



NOTES:  
 1. UNLESS OTHERWISE SPECIFIED ALL DIMENSIONS ARE NOMINAL.  
 2. ALL SPECIFICATIONS ARE SUBJECT TO CHANGE WITHOUT NOTICE AT ANY TIME.  
 3. DIMENSIONS ARE IN INCHES [mm].

DWG TITLE  
**PE9370**

**PASTERNAK ENTERPRISES, INC.**  
 P O BOX 16759, IRVINE, CA 92623  
 PHONE (949) 261-1920 FAX (949) 261-7451  
 WEB ADDRESS: [www.pasternack.com](http://www.pasternack.com)  
 E-MAIL ADDRESS: [sales@pasternack.com](mailto:sales@pasternack.com)  
**COAXIAL & FIBER OPTICS**



|        |                |                 |           |        |     |
|--------|----------------|-----------------|-----------|--------|-----|
| REV. - | FSCM NO. 53919 | CAD FILE 091702 | SCALE N/A | SIZE A | 127 |
|--------|----------------|-----------------|-----------|--------|-----|