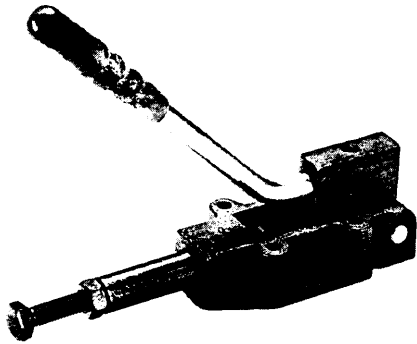


LONG HANDLED HEAVY DUTY PUSH-PULL CLAMPS

MODEL P600L 7148148



With 14 daN handle force the output force is:

Stroke	daN
Fully retracted	470
5 mm extended	110
10 mm ..	70
15 mm ..	75
20 mm ..	80
25 mm ..	85
30 mm ..	146
31 mm ..	190
Fully extended	580

Plunger: Locks at both extended & retracted ends of the stroke.

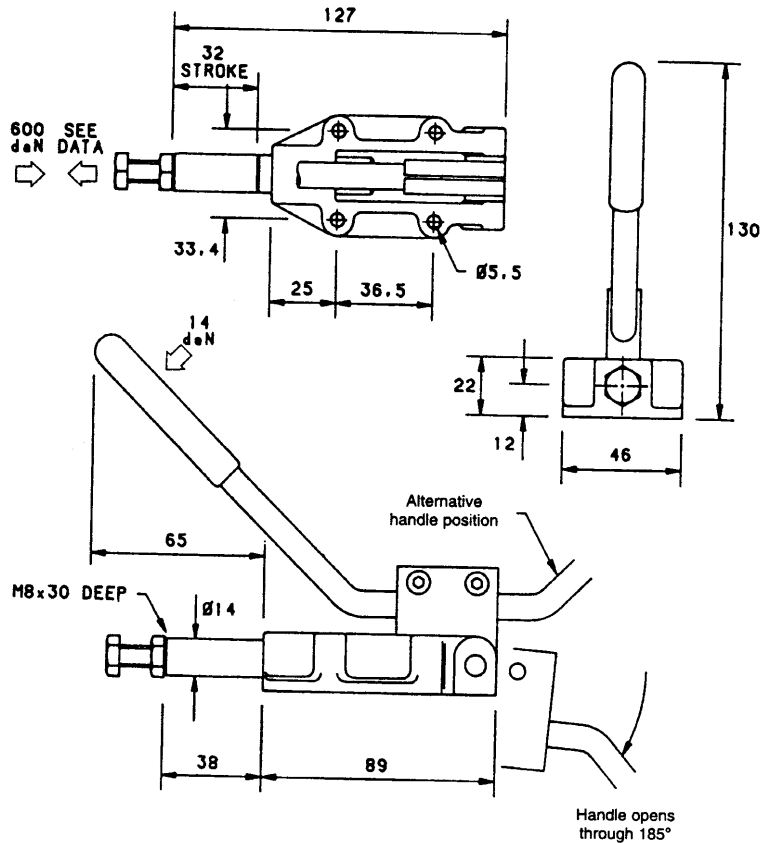
Base: Body mounting.

Nominal Holding Force: 600 daN

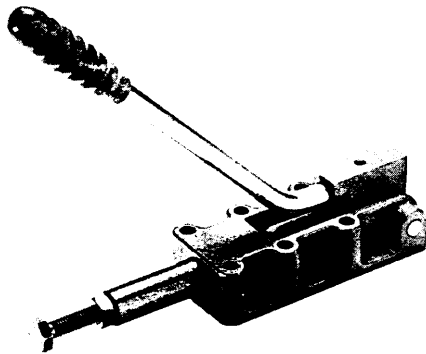
Weight: 0.55 Kg

Supplied complete with: MB0840 Setscrew & nut.

See "Accessories" for other items.



MODEL P1200L 7148161



With 15 daN handle force the output force is:

Stroke	daN
Fully retracted	705
5 mm extended	167
10 mm ..	90
15 mm ..	73
20 mm ..	70
25 mm ..	72
30 mm ..	85
35 mm ..	100
40 mm ..	110
45 mm ..	150
48 mm ..	220
49 mm ..	290
Fully extended	930

Plunger: Locks at both extended & retracted ends of the stroke.

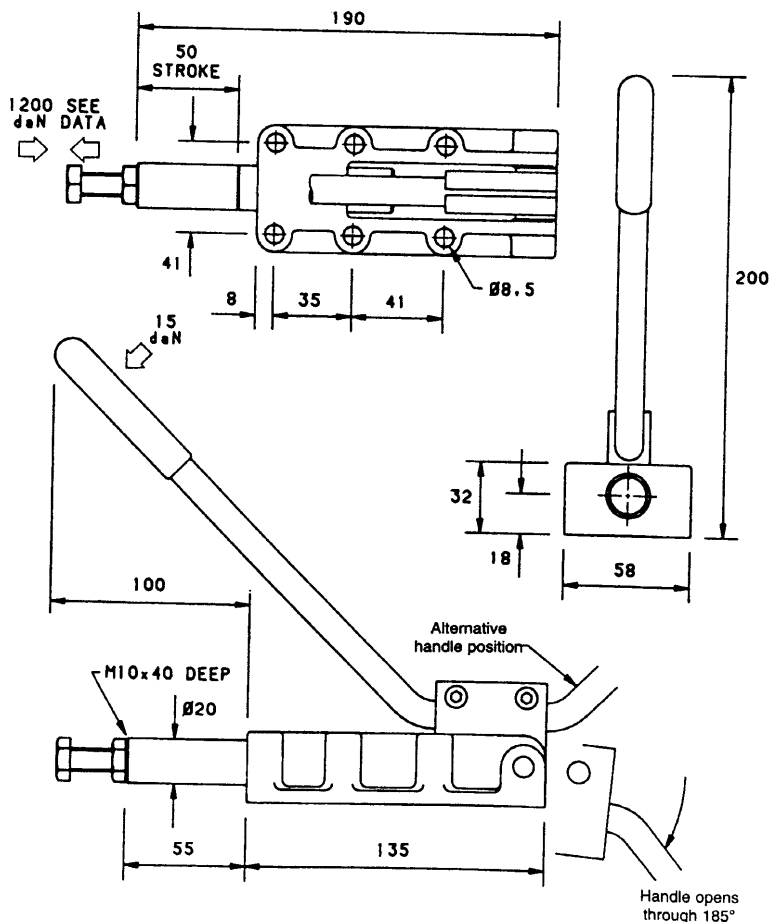
Base: Body mounting.

Nominal Holding Force: 1200 daN

Weight: 1.60 Kg

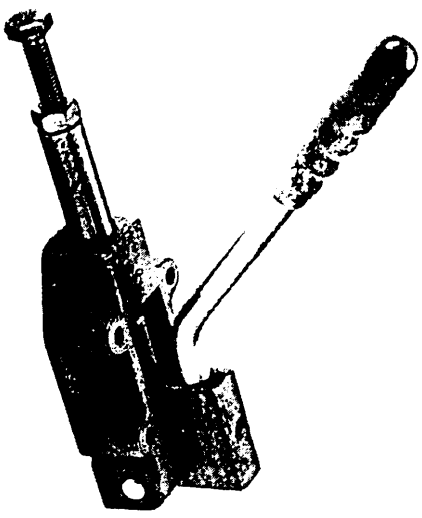
Supplied complete with: MB1050 Setscrew & nut.

See "Accessories" for other items.



LONG HANDLED HEAVY DUTY PUSH-PULL CLAMPS

MODEL P600L 7148148



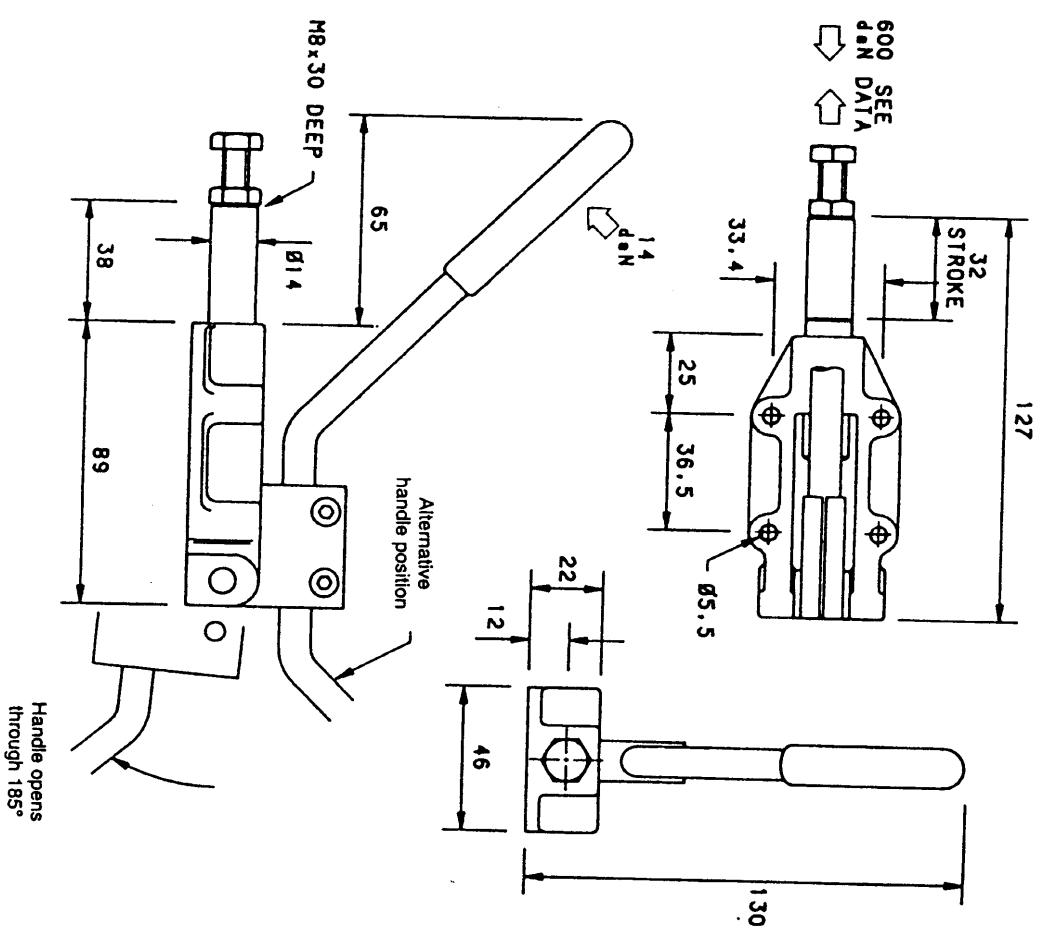
With 14 dan handle force the output force is:

Stroke	dan
Fully retracted	470
5 mm extended	110
10 mm	70
15 mm	75
20 mm	80
25 mm	85
30 mm	146
31 mm	190
Fully extended	580

Plunger: Locks at both extended & retracted ends of the stroke.
Base: Body mounting.
Nominal Holding Force: 600 dan
Weight: 0.55 Kg
Supplied complete with: MB0840 Setscrew & nut.

See "Accessories" for other items.

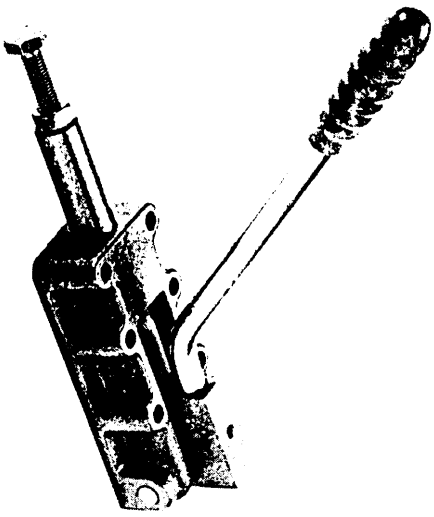
MODEL P1200L 7148161



Base: Body mounting.
 Nominal Holding Force: 600 daN
 Weight: 0.55 Kg
 Supplied complete with: MB0840 Setscrew & nut.

See "Accessories" for other items.

MODEL P1200L 7148161



With 15 daN handle force the output force is:

Fully retracted	705
5 mm extended	167
10 mm	90
15 mm	73
20 mm	70
25 mm	72
30 mm	85
35 mm	100
40 mm	110
45 mm	150
48 mm	220
49 mm	290
Fully extended	930

Plunger: Locks at both extended & retracted ends of the stroke.

Base: Body mounting.

Nominal Holding Force: 1200 daN

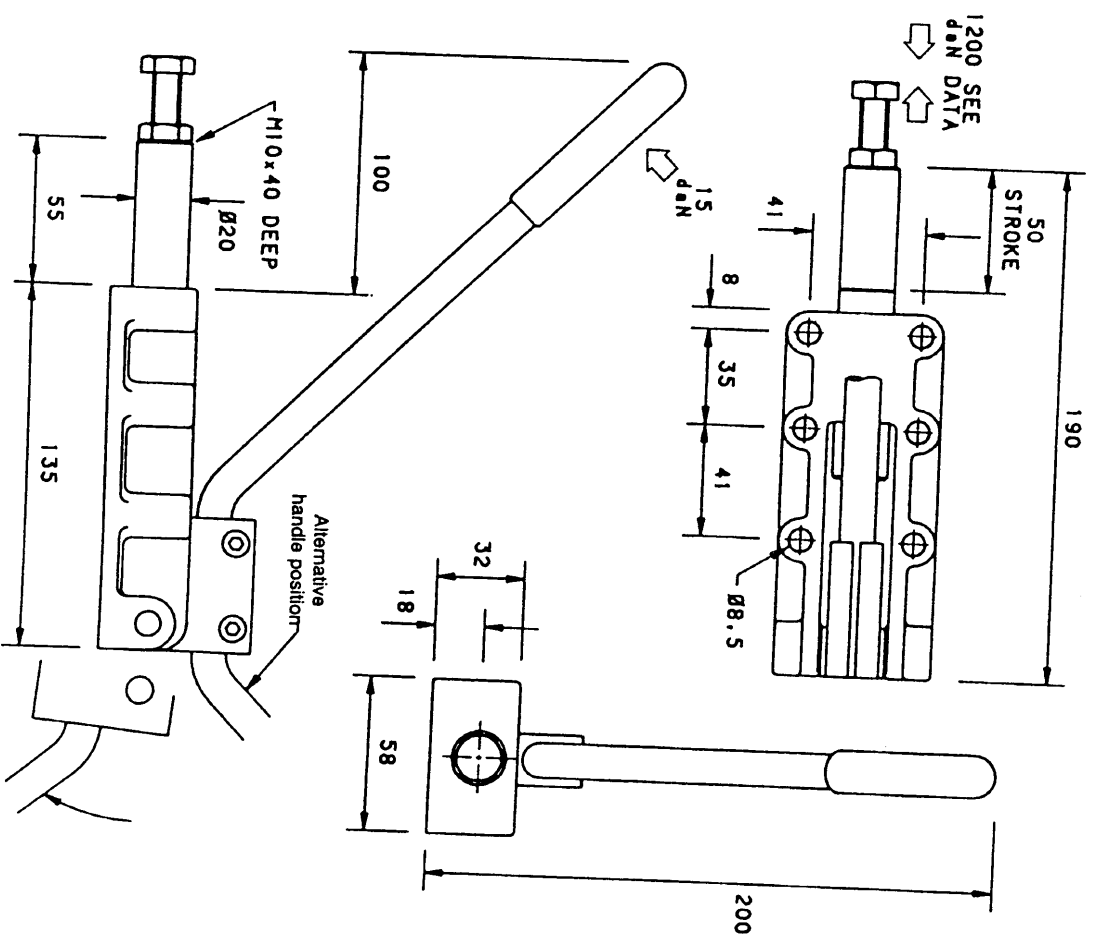
Weight: 1.60 Kg

Supplied complete with: MB1050 Setscrew & nut.

See "Accessories" for other items.



Handle opens through 185°



BRAUER TELEPHONE: 01908-374022
 HMC-BRAUER LIMITED FAX: 01908-641628