

QUADRATURE CLOCK CONVERTER

FEATURES:

- X1 and x4 mode selection
- Up to 16MHz output clock frequency
- Programmable output clock pulse width
- On-chip filtering of inputs for optical or magnetic encoder applications
- TTL and CMOS compatible I/Os
- +3V to +12V operation ($V_{DD} - V_{SS}$)
- LS7083NS-14 (SOIC) – See Figure 1.

Applications:

- Interface incremental encoders to Up/Down Counters (See Figure 6A and 6B)

DESCRIPTION:

The LS7083NS-14 is a CMOS quadrature clock converter. Quadrature clocks derived from optical or magnetic encoders, when applied to the A and B inputs of the LS7083NS-14 are converted to strings of Up Clocks and Down Clocks. These outputs can be interfaced directly with standard Up/Down counters for direction and position sensing of the encoder.

INPUT/OUTPUT DESCRIPTION:

V_{DD} (Pin 2)

Supply voltage positive terminal.

RBIAS (Pin 3)

Input for external component connection. A resistor connected between this input and V_{SS} adjusts the output clock pulse width (T_{OW}). For proper operation, the output clock pulse width must be less than or equal to the A, B pulse separation ($T_{OW} \leq T_{PS}$).

V_{SS} (Pin 4)

Supply voltage negative terminal.

A (Pin 5)

Quadrature Clock Input A. This input has a filter circuit to validate input logic level and eliminate encoder dither.

B (Pin 10)

Quadrature Clock Input B. This input has a filter circuit identical to input A.

Mode (Pin 11)

Mode is a 3-state input to select resolutions x1, x2, or x4. The selected resolution multiplies the input quadrature clock rate by 1, 2 and 4 respectively; in producing the outputs UPCK/DNCK and CLK (see Figure 2).

The Mode input logic levels selects resolutions as follows:

Logic 0 = x1 Float = x2 Logic 1 = x4

PIN ASSIGNMENT
TOP VIEW

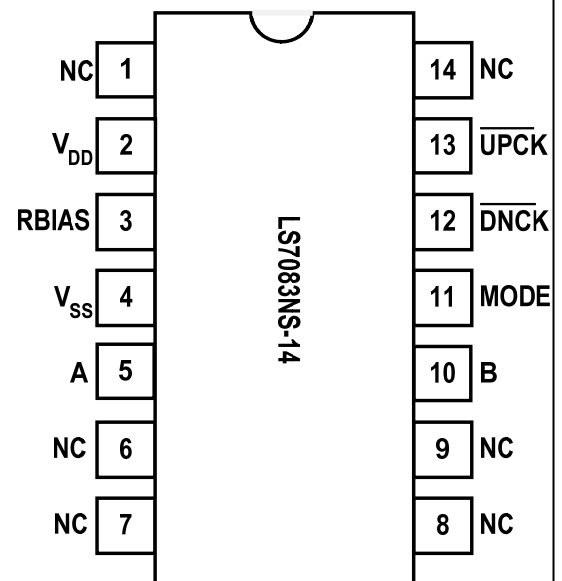


FIGURE 1.

DNCK (Pin 12)

This is the DOWN Clock Output. This output consists of low-going pulses generated when A input lags the B input.

UPCK (Pin 13)

This is the UP Clock Output. This output consists of low-going pulses generated when A input leads the B input.

ABSOLUTE MAXIMUM RATINGS:

PARAMETER	SYMBOL	VALUE	UNIT
DC Supply Voltage	$V_{DD} - V_{SS}$	16.0	V
Voltage at any Input	V_{IN}	$V_{SS} - 0.3$ to $V_{DD} + 0.3$	V
Operating Temperature	T_A	0 to +70	°C
Storage Temperature	T_{STG}	-55 to +150	°C

DC ELECTRICAL CHARACTERISTICS:

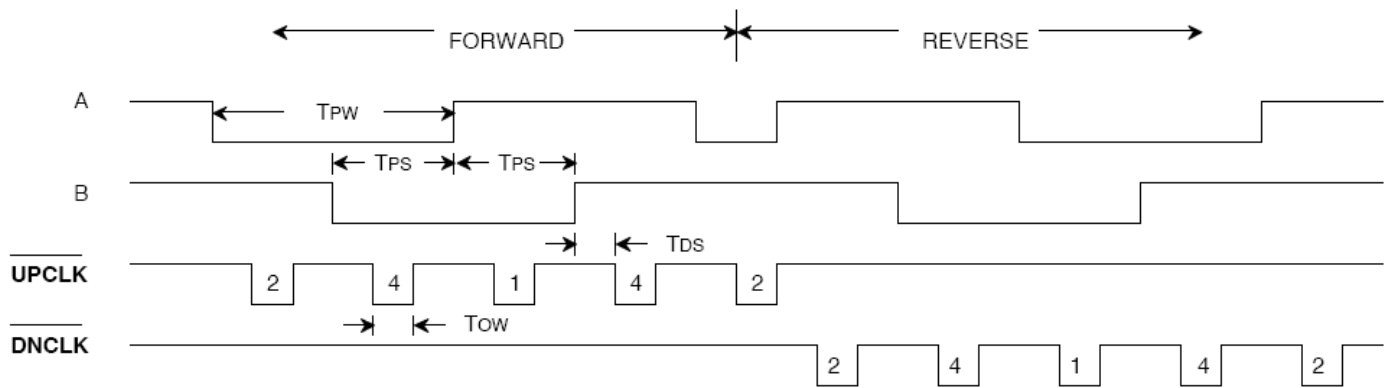
 (All voltages referenced to VSS, $T_A = 0^\circ\text{C}$ to 70°C .)

PARAMETER	SYMBOL	MIN	MAX	UNIT	CONDITIONS
Supply Voltage	V_{DD}	3.0	12.0	V	-
Supply Current	I_{DD}	-	100	μA	$V_{DD} = 12\text{V}$, All input frequencies = 0Hz $R_{BIAS} = 2\text{M}\Omega$
MODE Logic Low	V_{IL}	-	$0.5V_{DD}$	V	-
A, B Logic Low	V_{IL}	-	0.7	V	$V_{DD} = 3\text{V}$
		-	1.0	V	$V_{DD} = 5\text{V}$
		-	2.8	V	$V_{DD} = 12\text{V}$
MODE Logic High	V_{IH}	$V_{DD} - 0.5$	-	V	-
A, B Logic High	V_{IH}	2.0	-	V	$V_{DD} = 3\text{V}$
		3.0	-	V	$V_{DD} = 5\text{V}$
		6.6	-	V	$V_{DD} = 12\text{V}$
ALL OUTPUTS:					
Sink Current	I_{OL}	1.3	-	mA	$V_{DD} = 3\text{V}$
$V_{OL} = 0.4\text{V}$		1.9	-	mA	$V_{DD} = 5\text{V}$
		2.9	-	mA	$V_{DD} = 12\text{V}$
Source Current	I_{OH}	0.83	-	mA	$V_{DD} = 3\text{V}$
$V_{OH} = V_{DD} - 0.5\text{V}$		1.1	-	mA	$V_{DD} = 5\text{V}$
		1.6	-	mA	$V_{DD} = 12\text{V}$

TRANSIENT CHARACTERISTICS:

 ($T_A = 0^\circ\text{C}$ to 70°C .)

PARAMETER	SYMBOL	MIN	MAX	UNIT	CONDITIONS
A,B inputs:					
Validation Delay	T_{VD}	-	250	ns	$V_{DD} = 3\text{V}$
		-	170	ns	$V_{DD} = 5\text{V}$
		-	71	ns	$V_{DD} = 12\text{V}$
A,B inputs:					
Pulse Width	T_{PW}	$T_{VD} + T_{OW}$	Infinite	ns	-
A to B or B to A					
Phase Delay	T_{PS}	T_{OW}	Infinite	ns	-
A,B frequency	$f_{A,B}$	-	$1 / 2T_{PW}$	Hz	-
Input to Output Delay	T_{DS}	-	280	ns	$V_{DD} = 3\text{V}$
		-	220	ns	$V_{DD} = 5\text{V}$
		-	120	ns	$V_{DD} = 12\text{V}$
					Includes input validation delay
Output Clock Pulse Width	T_{OW}	50	-	ns	See Fig. 4 & 5



NOTE: Output clocks labeled 1,2 and 4 have the following interpretations.

1. Generated in x1, x2 and x4 modes.
2. Generated in x2 and x4 modes only.
3. Generated in x4 mode only.

FIGURE 2. LS7083NS-14 INPUT/OUTPUT TIMING

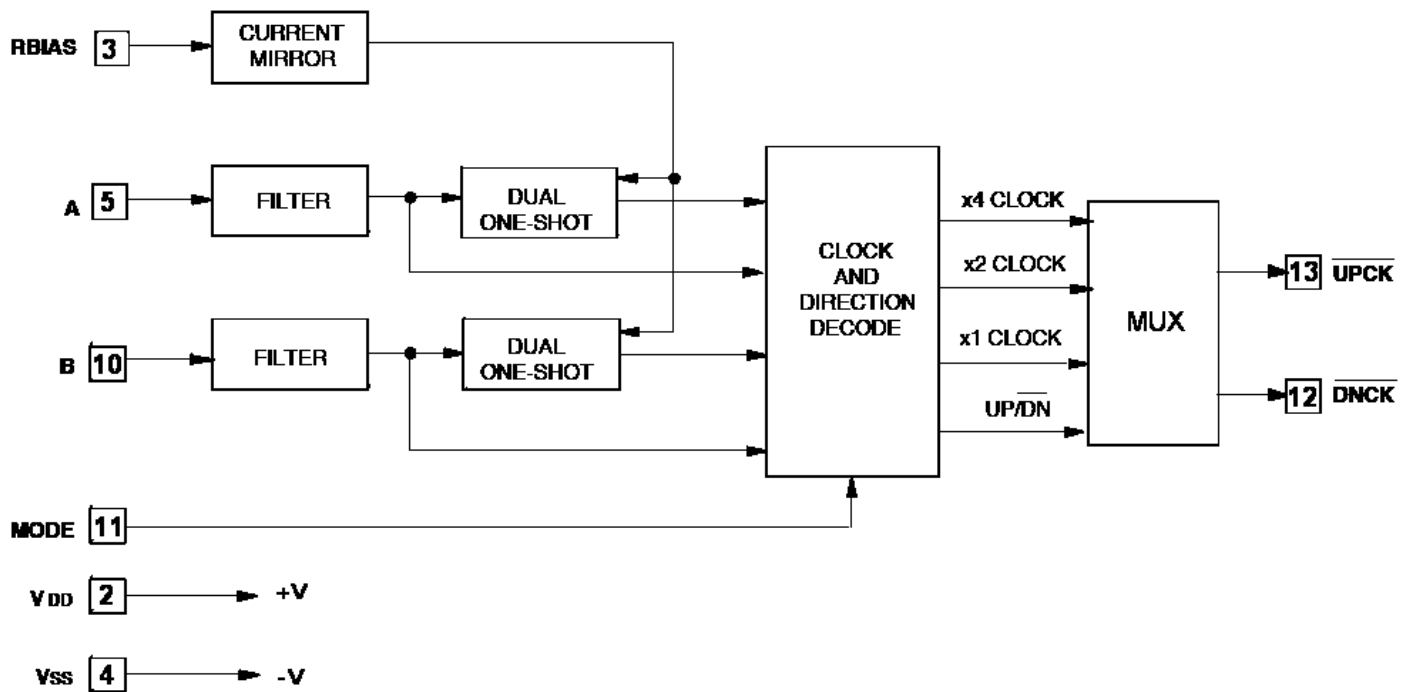


FIGURE 3. LS7083NS-14 BLOCK DIAGRAM

The information included herein is believed to be accurate and reliable. However, LSI Computer Systems, Inc. assumes no responsibilities for inaccuracies, or for any infringements of patent rights of others which may result from its use.

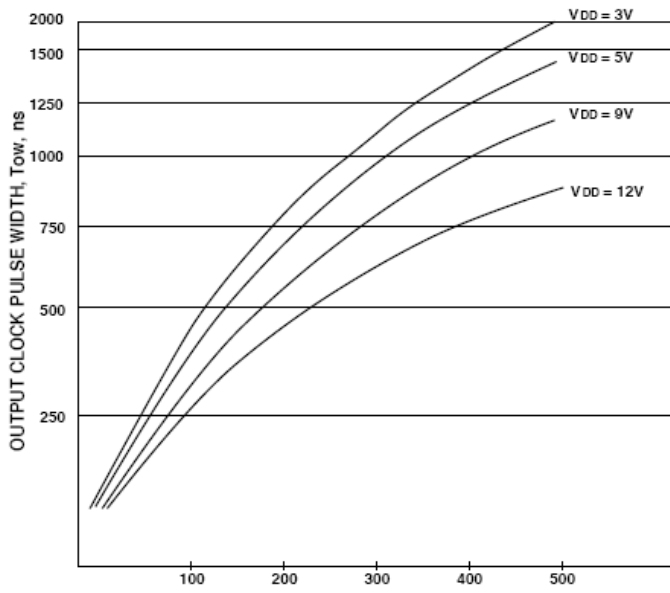


FIGURE 4. T_{ow} vs R_{BIAS} , kΩ

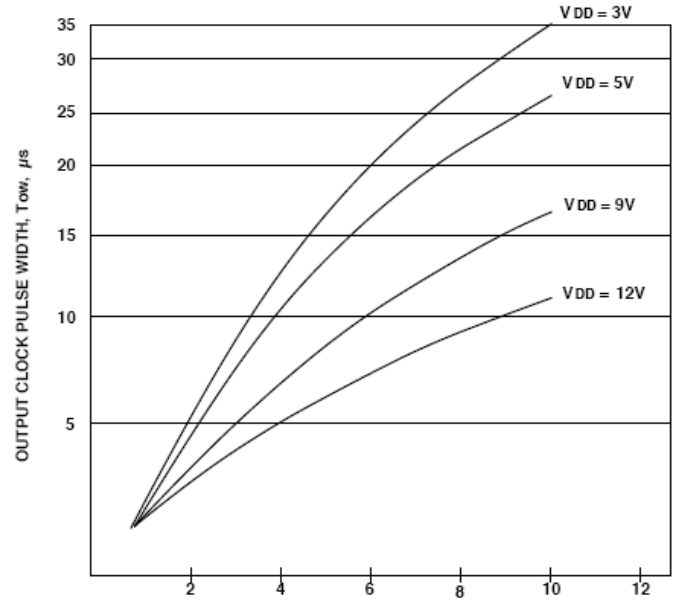


FIGURE 5. T_{ow} vs R_{BIAS} , MΩ

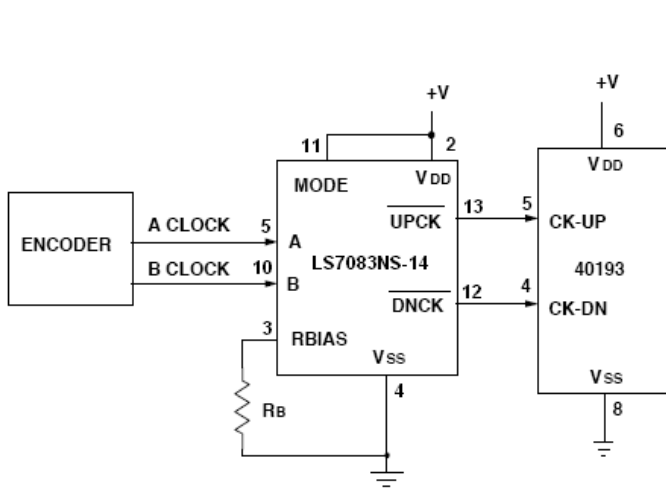


FIGURE 6A. TYPICAL APPLICATION FOR LS7083NS-14 in x4 MODE

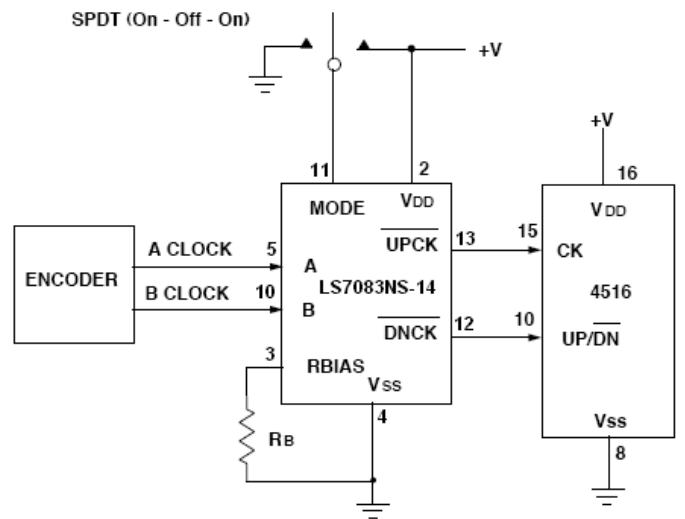


FIGURE 6B. TYPICAL APPLICATION FOR LS7083NS-14 in x2 MODE