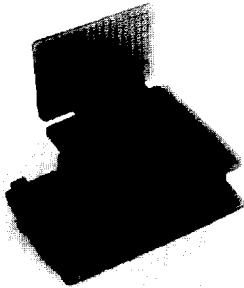


• DIP Type  
Socket Receptacles

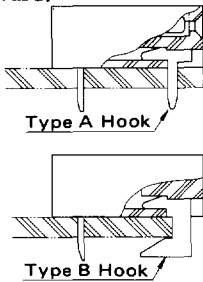
# IL Series Type D



The IL series Type D is a socket receptacle having socket contacts assembled therein for direct mounting on the P.C. board.

In combination with IL pin headers, the Type D sockets are usable for direct interconnection of P.C. boards, either horizontally or vertically.

- Top-Entry type: Available in two types of with- and without locking. Having mating entry end in the perpendicular direction to the plane of P.C. board on which the socket is installed.
- Side-Entry type: With- and without locking versions are available. In each of these two versions, there are further two versions, one having type A hook for fixing the socket on P.C. board surface and the other having type B hook for fixing the socket at the edge of P.C. board.



• Materials & Finish

Insulator: Nylon 66, UL94V-0, light brown

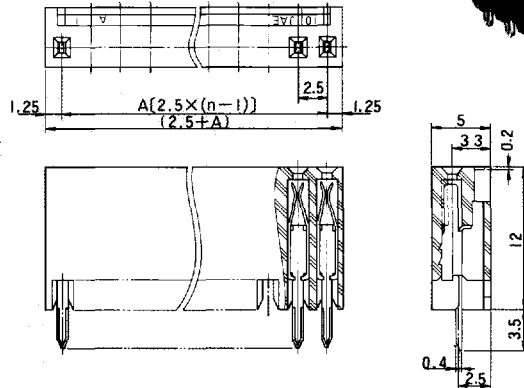
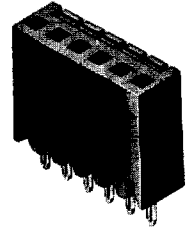
Contact: Phosphor bronze/Tin plating (standard) or gold plating

Hook (type A): Steel/Tin plating

Hook (type B): Stainless steel

1) Top-Entry, without Lock

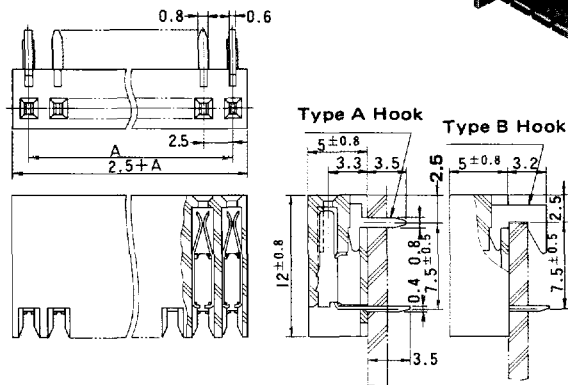
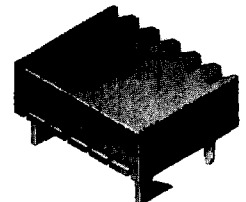
## IL-D- \*\* S-S3TA2



No. of Contacts	Part No.	A
2	IL-D-2S-S3TA2	2.5
3	IL-D-3S-S3TA2	5.0
4	IL-D-4S-S3TA2	7.5
5	IL-D-5S-S3TA2	10.0
6	IL-D-6S-S3TA2	12.5
7	IL-D-7S-S3TA2	15.0
8	IL-D-8S-S3TA2	17.5
9	IL-D-9S-S3TA2	20.0
10	IL-D-10S-S3TA2	22.5
11	IL-D-11S-S3TA2	25.0
12	IL-D-12S-S3TA2	27.5

2) Side-Entry, without Lock

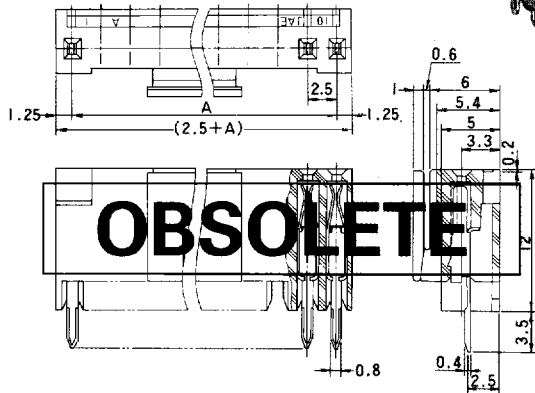
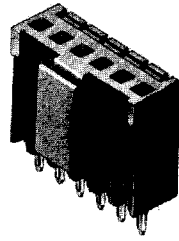
## IL-D- \*\* S-S3LA2- \*\*



No. of Contacts	Part No.		A
	With Type A hook	With Type B hook	
2	IL-D-2S-S3LA2-A	IL-D-2S-S3LA2-B	2.5
3	IL-D-3S-S3LA2-A	IL-D-3S-S3LA2-B	5.0
4	IL-D-4S-S3LA2-A	IL-D-4S-S3LA2-B	7.5
5	IL-D-5S-S3LA2-A	IL-D-5S-S3LA2-B	10.0
6	IL-D-6S-S3LA2-A	IL-D-6S-S3LA2-B	12.5
7	IL-D-7S-S3LA2-A	IL-D-7S-S3LA2-B	15.0
8	IL-D-8S-S3LA2-A	IL-D-8S-S3LA2-B	17.5
9	IL-D-9S-S3LA2-A	IL-D-9S-S3LA2-B	20.0
10	IL-D-10S-S3LA2-A	IL-D-10S-S3LA2-B	22.5
11	IL-D-11S-S3LA2-A	IL-D-11S-S3LA2-B	25.0
12	IL-D-12S-S3LA2-A	IL-D-12S-S3LA2-B	27.5

3) Top-Entry, with Lock

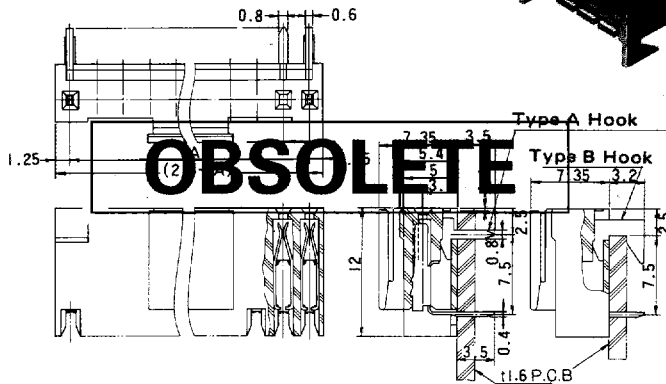
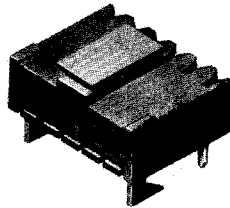
IL-D- \*\* S-S3TB2



No. of Contacts	Part No.	A
5	IL-D-5S-S3TB2	10.0
6	IL-D-6S-S3TB2	12.5
8	IL-D-8S-S3TB2	17.5
10	IL-D-10S-S3TB2	22.5

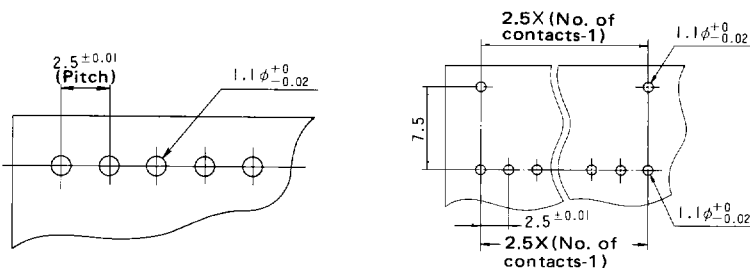
4) Side-Entry, with Lock

IL-D- \*\* S-S3LB2-\*



No. of Contacts	Part No.		A
	With Type A hook	With Type B hook	
5	IL-D-5S-S3LB2-A	IL-D-5S-S3LB2-B	10.0
6	IL-D-6S-S3LB2-A	IL-D-6S-S3LB2-B	12.5
8	IL-D-8S-S3LB2-A	IL-D-8S-S3LB2-B	17.5
10	IL-D-10S-S3LB2-A	IL-D-10S-S3LB2-B	22.5

P.C. Board Mounting Dimensions • Side-Entry with Type A hook  
Board thickness . . . 1.6 ~ 2.4 mm



Examples of Interconnection with Pin Headers

