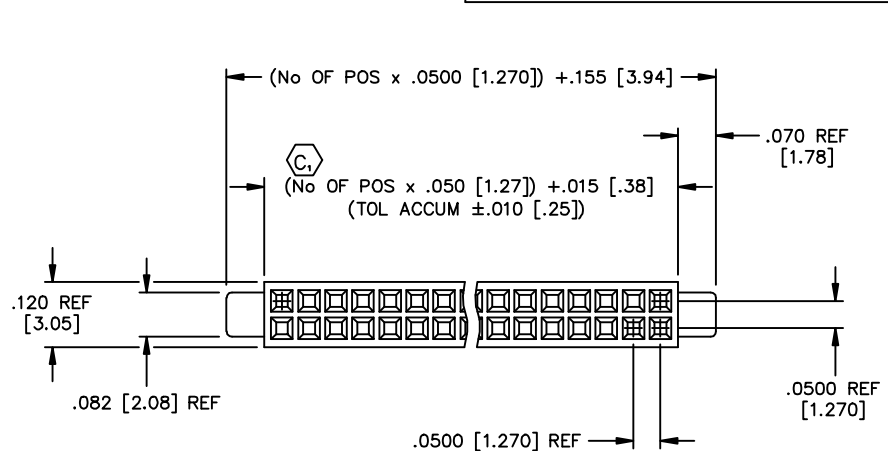


DIMENSIONS ARE IN INCHES			UNLESS OTHERWISE NOTED	TOLERANCES ARE:
ONE PLACE DECIMALS ± .1 [2.54]	THREE PLACE DECIMALS ± .005 [.13]	ANGLES ± 2°		
TWO PLACE DECIMALS ± .01 [.25]	FOUR PLACE DECIMALS ± .0020 [.05]			

TITLE:  
 .050 x .050 EDGE  
 MOUNT SOCKET STRIP  
 DUAL ROW ASSEMBLY

DWG NO:  
 EMF-1XX-XX-X-D  
 SHEET 1 OF 1



EMF-1XX-XX-XX-D

No. OF POSITIONS  
 -05 THRU -50  
 (PER ROW)

LEAD STYLE  
 -01: EDGE MOUNT (.031")  
 \*-02: EDGE MOUNT (.062")

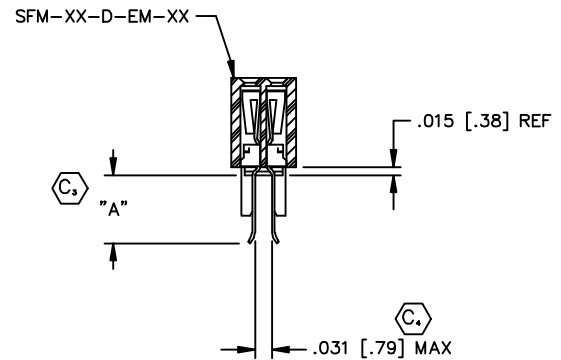
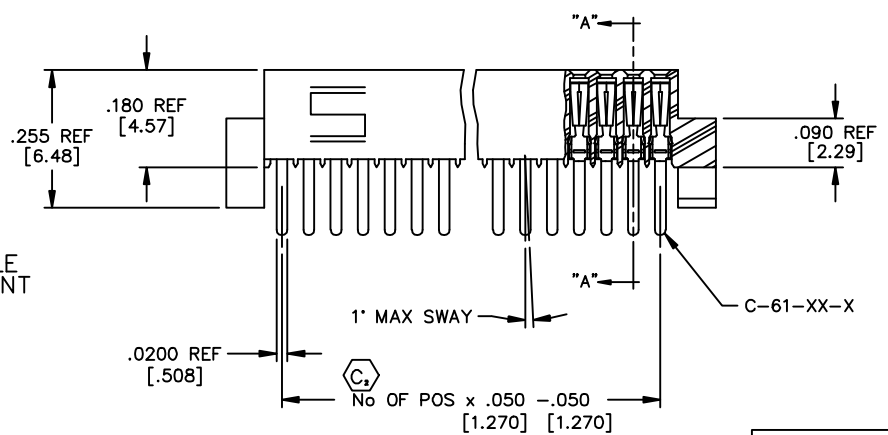
\* NOT RELEASED

BODY SPECIFICATION  
 -D: DOUBLE ROW  
 (USE SFM-XX-D-EM-XX)

PLATING SPECIFICATION  
 -F: FLASH SELECTIVE, 3 Au / 50 NI MIN  
 ON CONTACT, MATTE TIN TAIL  
 -L: LIGHT SELECTIVE, 10 Au / 50 NI MIN  
 ON CONTACT, MATTE TIN TAIL  
 -S: SELECTIVE, 30 Au / 50 NI MIN  
 ON CONTACT, MATTE TIN TAIL  
 -FM: FLASH SELECTIVE, 3 Au / 50 NI MIN  
 ON CONTACT, MATTE TIN TAIL  
 -LM: LIGHT SELECTIVE, 10 Au / 50 NI MIN  
 ON CONTACT, MATTE TIN TAIL  
 -SM: SELECTIVE, 30 Au / 50 NI MIN  
 ON CONTACT, MATTE TIN TAIL

TABLE 1

LEAD STYLE	BODY	CONTACT	"A"
-01	SFM-XX-D-EM-01	C-61-06-X	.126 [3.20]
* -02	SFM-XX-D-EM-02	C-61-08-X	.105 [2.67]



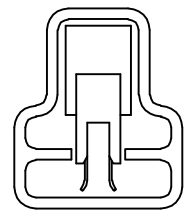
DO NOT SCALE  
 FROM THIS PRINT

- NOTES:
1. MINIMUM PUSHOUT FORCE: .5 lb.
  2. COPLANARITY; POS -15 THRU -26: .004 [.10]  
 POS -27 THRU -50: .006 [.15]
  3. Ⓢ REPRESENTS CRITICAL A DIMENSION.
  4. ALL POSITIONS TO BE PACKAGED IN TUBES.
  5. INSULATOR MATERIAL: BLACK LCP, UL 94 VO.

**PROPRIETARY NOTE**  
 THIS DOCUMENT CONTAINS INFORMATION  
 CONFIDENTIAL AND PROPRIETARY TO  
 SAMTEC INC. AND SHALL NOT BE  
 REPRODUCED OR TRANSMITTED TO  
 OTHER DOCUMENTS OR DISCLOSED TO  
 OTHERS OR USED FOR ANY PURPOSE  
 OTHER THAN THAT FOR WHICH IT WAS  
 OBTAINED WITHOUT THE EXPRESS  
 WRITTEN CONSENT OF SAMTEC INC.

PACKAGING VIEW

PT-1-24-01-43  
 TP-24



MISC\MKT  
 EMF-1XX-XX-XX-D-MKT



520 PARK EAST BLVD. NEW ALBANY, INDIANA 47150  
 PHONE (812) 944-6733 P.O. BOX 1147  
 CODE 55322

MADE BY:  
 PURVIS 7-26-96

EMF-1XX-XX-X-D  
 SHEET 1 OF 1