

ACP7019 3.0-7.0 GHz COUGARPAK™ AMPLIFIER

Typical Values	ACP7019
High Output Power	0.5 Watt
Low Noise	3.6 dB
Ultra Broad Bandwidth	3.0-7.0 GHz
High Third Order Intercept	35 dB
High Performance Thin Film Standard Single-stage CougarPak™ Package	

SPECIFICATIONS*

Parameter	Typical	Guaranteed		
		0 to 50° C	-55 to +85° C	3.0-7.0 GHz
Frequency (Min.)	3.0-7.0 GHz	3.0-7.0 GHz	3.0-7.0 GHz	
Small Signal Gain (Min.)	14.0 dB	13.2 dB	12.7 dB	
Gain Flatness (Max.)	±0.6 dB	±0.8 dB	±1.0 dB	
Noise Figure (Max.)	3.6 dB	4.5 dB	5.2 dB	
SWR (Max.) Input/Output	1.7:1	1.9:1	2.0:1	
Power Output (Min.) @ 1dB comp.	+27.5 dBm	+26.5 dBm	+26.0 dBm	
DC Current (Max.)	250 mA	265 mA	280 mA	

* Measured in a 50-ohm system at +12 Vdc unless otherwise specified.

INTERMODULATION PERFORMANCE

Typical @ 25° C	ACP7019
Second Order Harmonic Intercept Point	+61 dBm
Second Order Two Tone Intercept Point	+55 dBm
Third Order Two Tone Intercept Point	+35 dBm

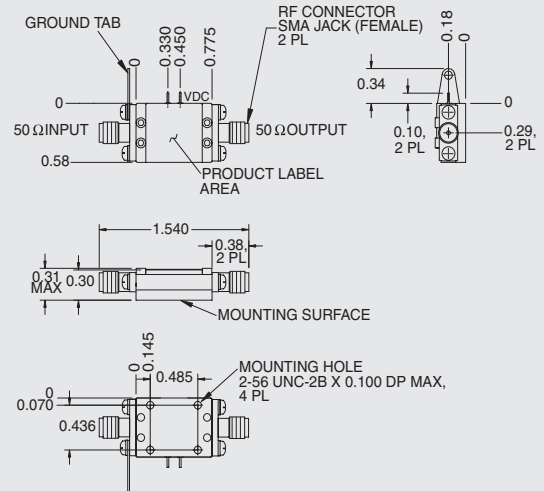
ABSOLUTE MAXIMUM RATINGS

Storage Temperature	-62 to +125° C
Maximum Case Temperature	+125° C
Maximum DC Voltage	+17 Volts
Maximum Continuous RF Input Power	+15 dBm
Maximum Short Term Input Power (1 Minute Max.)	100 Milliwatts
Maximum Peak Power (3 μsec Max.)	1.0 Watt
Burn-in Temperature	+125° C
Thermal Resistance ¹ (θjc)	—° C/Watt
Junction Temperature Rise Above Case (Tjc)	—° C

¹ Thermal resistance is based on total power dissipation.

ACP7019

CougarPak™ Connectorized Package (single-stage)



DIMENSIONS ARE IN INCHES (MILLIMETERS)