

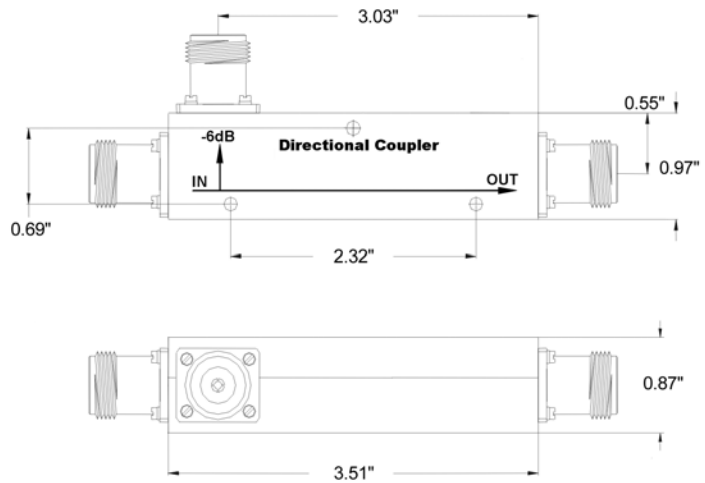
Directional Couplers

Features

- Low Insertion Loss
- High Directivity
- Dual Directional
- 100 Watts Average Power
- Optional Integrated Terminations

Description

These standard coaxial directional couplers feature low insertion loss and power handling capability of 100 watts average power. Standard connectors are SMA and type N with other types and higher power levels available upon request.



Ordering Information

Part Number	Coupled Output (dB)	Frequency (MHz)	Insertion Loss (above coupling) (dB) (maximum)	Coupling Variation (+/- dB)	VSWR (maximum)	Directivity (dB)
XMADC-100-6N*	-6	800-2300	0.2	1.0	1.2:1	20
XMADC-100-10N	-10	800-2300	0.2	1.0	1.2:1	20
XMADC-100-15N	-15	800-2300	0.15	1.0	1.2:1	20
XMADC-100-20N	-20	800-2300	0.15	1.0	1.2:1	20

*Optional Connectors

S=SMA	N=Type	B=BNC	T=TNC	D=Din	DP=Drop In
-------	--------	-------	-------	-------	------------

Some connector configurations may not be available. Please contact XMA with specifications

Specifications subject to change without notice.