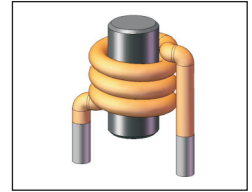


SMT Power Inductor

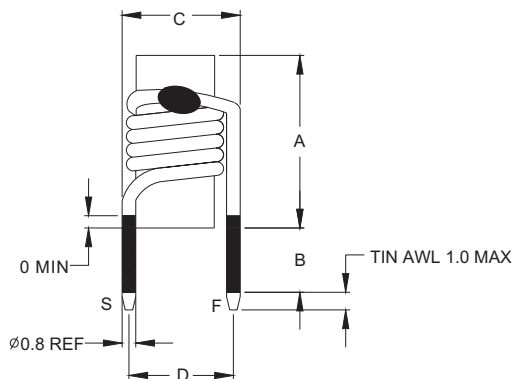
THNR1115 Type

Features

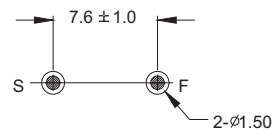
- High current (Isat up to 25A), though hole type.
- Magnetically shielded, suitable for high density mounting.
- High energy storage and low DCR.
- Ideal for power source circuits, DC-DC converter, DC-AC inverters inductor application.
- In addition to the standard versions shown here, customized inductors are available to meet your exact requirements.



Mechanical Dimension:



RECOMMENDED PAD PATTERNS



UNIT : mm
 A = 14.5 MAX
 B = 3.3 ± 1.0
 C = 11.0 MAX
 D = 7.6 ± 1.0

Electrical Characteristics: At 25°C: 100KHz, 0.1V

PART NO.	L ¹ (uH)	DCR (mΩ) MAX	Isat ² (Adc)	I _{rms} ³ (Adc)
THNR1115-R35	0.35	4.3	25.0	16.0
THNR1115-1R7	1.70	7.8	15.0	10.0
THNR1115-2R2	2.20	10.0	13.0	9.0
THNR1115-3R0	3.00	15.0	8.8	7.0

1. Tolerance of inductance : 0.35uH±30% 1.7~3.0uH±20%
2. Isat is the DC current which cause the inductance drop less than 10% of its nominal inductance without current
3. I_{rms} is the DC current which cause the surface temperature of the part increase less than 45°C
4. Operating temperature: -20°C to 130°C (including self-temperature rise)



DELTA ELECTRONICS, INC.

(TAOYUAN PLANT CPBG) 252, SAN YING ROAD, KUEISAN INDUSTRIAL ZONE, TAOYUAN SHIEN, 333, TAIWAN, R.O.C.

TEL: 886-3-3591968; FAX: 886-3-3591991

<http://www.deltaww.com>