

**STEWART
CONNECTOR
SYSTEMS, INC.**

R.D. 2, BOX 2020 GLEN ROCK, PENNSYLVANIA 17327

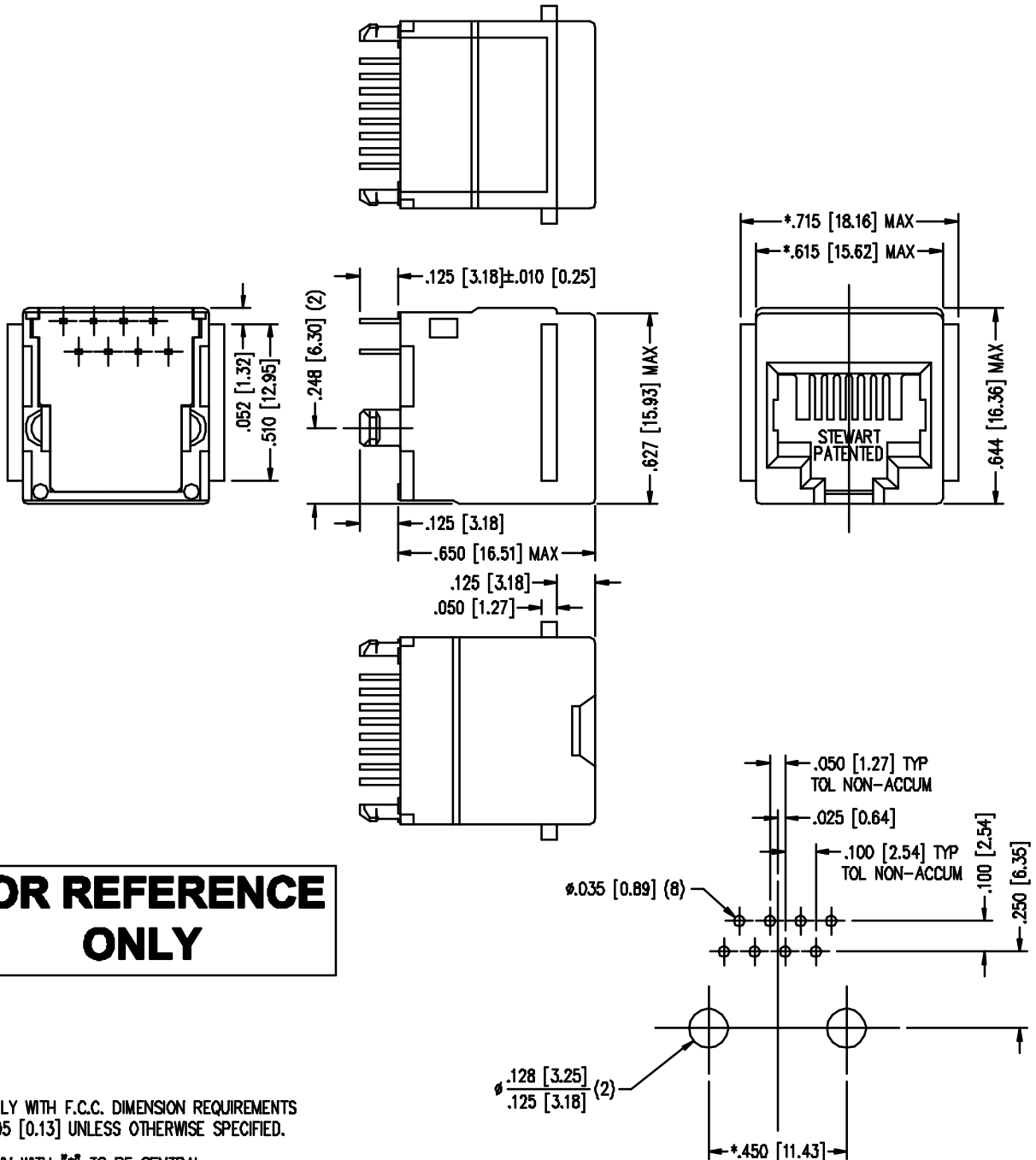
PART NO.- SS-650810-A-FLS-A344

CURRENTLY NOT TOOLED

EIGHT CONTACT, TEN POSITION; VERTICAL MOUNT JACK

"-FLS" FLANGED

"-A344" DESIGNATES NO DRAIN HOLES IN BOTTOM



**FOR REFERENCE
ONLY**

- NOTES:
- TOLERANCE COMPLY WITH F.C.C. DIMENSION REQUIREMENTS ALL OTHERS $\pm .005 [0.13]$ UNLESS OTHERWISE SPECIFIED.
 - DIMENSIONS SHOWN WITH "*" TO BE CENTRAL ABOUT CENTER LINE

- AVAILABLE WITH:
- 30 & 50, MICRO-INCH SELECTIVE GOLD PLATING
 - LOADED 1 - 10 CONTACTS

P.C.B. RECOMMENDED HOLE LAYOUT
SEEN FROM COMPONENT SIDE
TOLERANCE $\pm .003 [0.08]$ UNLESS OTHERWISE SPECIFIED