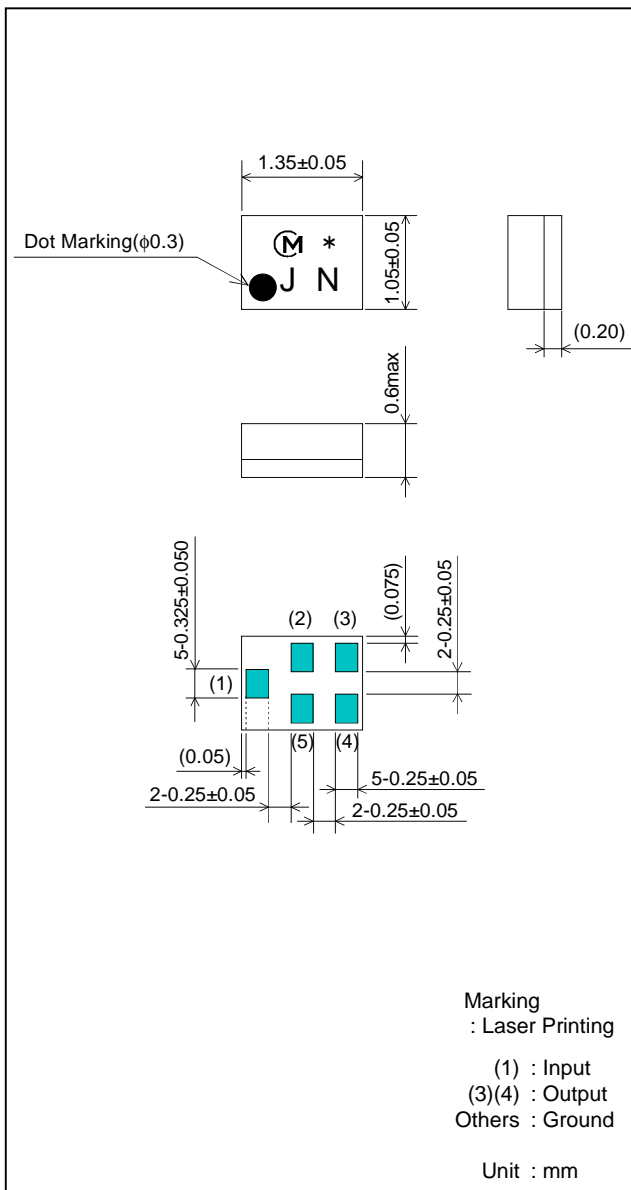


SAW FILTER FOR GPS

Murata part number :SAFEB1G57FA0F55

■ Package Dimensions



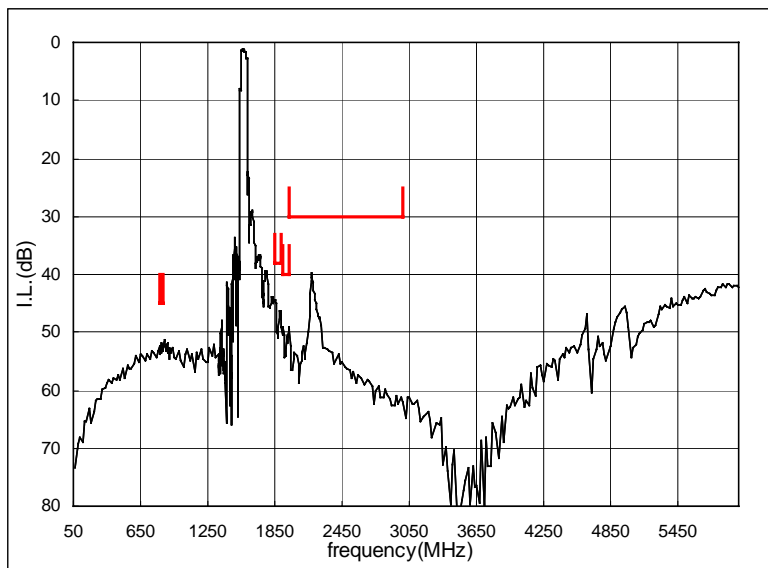
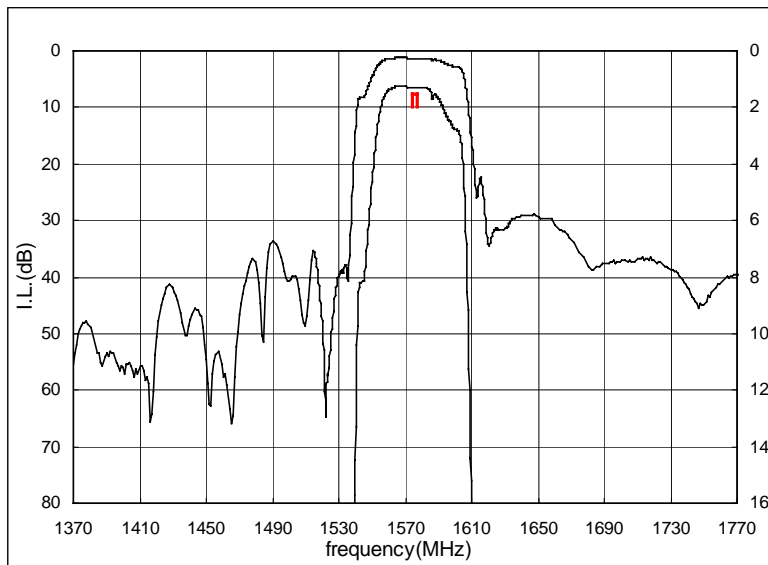
■ Specification

Item	Specification		
	-30 to 85°C	25 \pm 2°C	typ.
Nominal Center Frequency(fc)	1575.5MHz		
Insertion Loss (1574 to 1577MHz)	1.6 dB max.	1.5 dB max.	1.3 dB
Absolute Attenuation			
1) 824 to 849 MHz	45 dB min.	45 dB min.	53 dB
2) 1850 to 1910 MHz	38 dB min.	38 dB min.	45 dB
3) 1920 to 1980 MHz	40 dB min.	40 dB min.	47 dB
4) 1980 to 3000 MHz	30 dB min.	30 dB min.	38 dB
Ripple Deviation (1574 to 1577MHz)	0.6dB max.	0.5dB max.	0.2 dB
VSWR (1574 to 1577MHz)	1.7 max.	1.7 max.	1.2
Amplitude Balance (1574 to 1577MHz)	\pm 1.0 dB max.	\pm 1.0 dB max.	+0.5 dB
Phase Balance (1574 to 1577MHz)	180 \pm 8 deg.	180 \pm 8 deg.	180.0 \pm 3.5 deg.
Input Impedance (nominal)	50 Ω		
Output Impedance (nominal)	100 Ω		
Input Signal Level	20mW (+13dBm), 2000 hours		

SAW FILTER FOR GPS

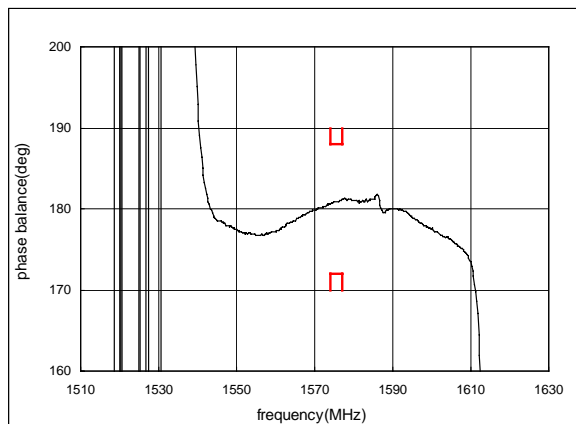
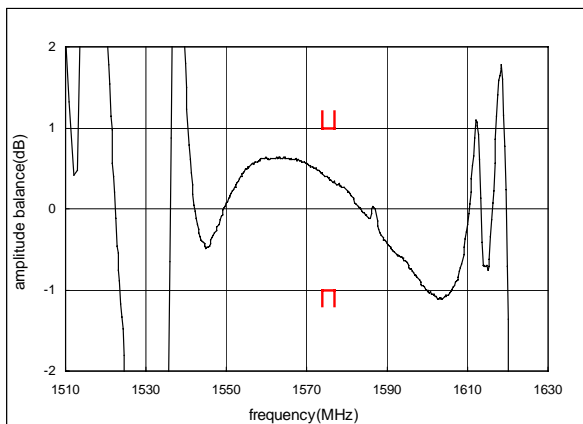
Murata part number :SAFEB1G57FA0F55

Frequency Performance



Amplitude balance

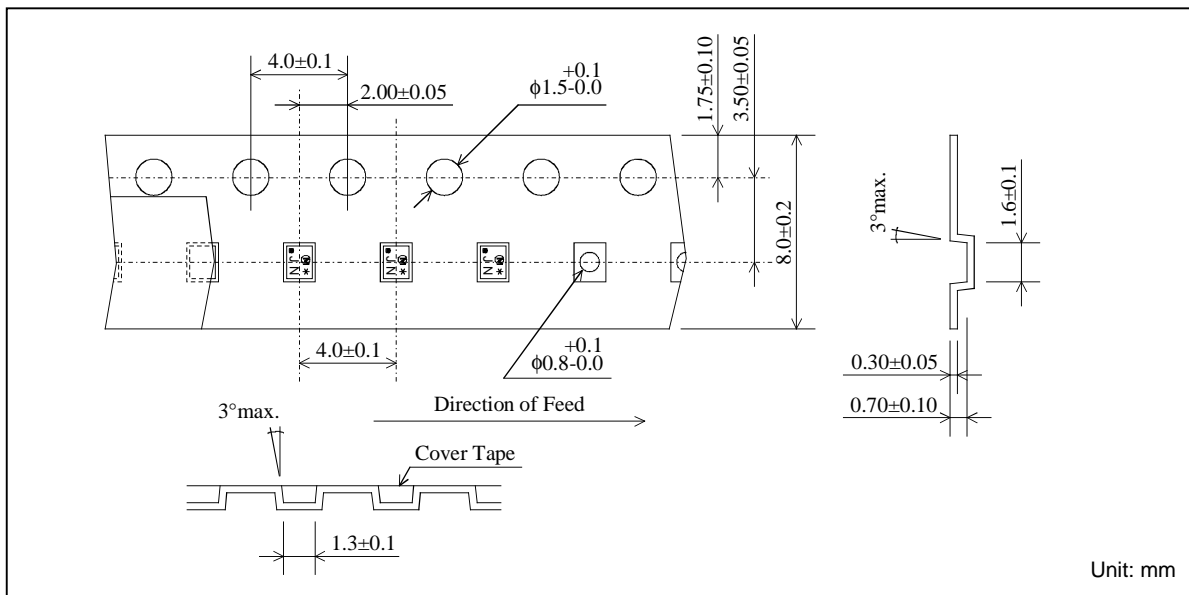
Phase balance



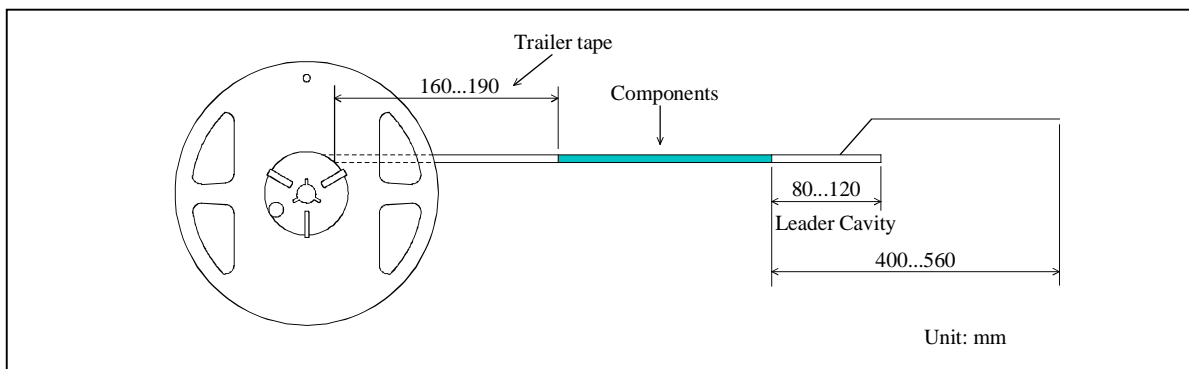
SAW FILTER FOR GPS

Murata part number :SAFEB1G57FA0F55

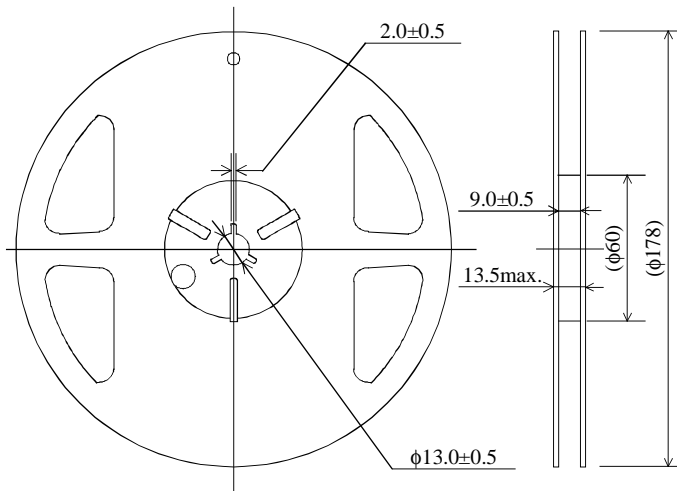
■ Dimensions of Carrier Tape



■ Dimensions of Tape



■ Dimensions of Reel

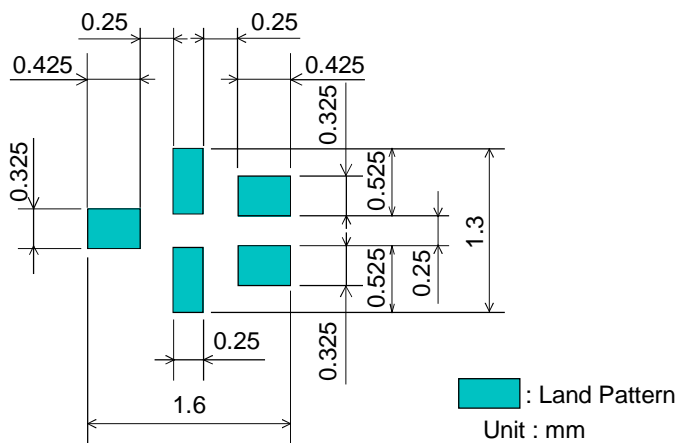


SAFEB1G57FA0F55R14 ... 4000pcs/reel
 SAFEB1G57FA0F55R12 ... 2000pcs/reel

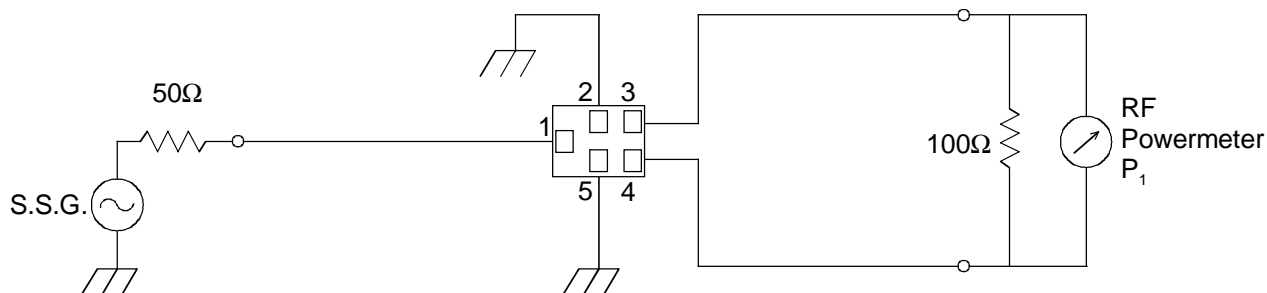
SAW FILTER FOR GPS

Murata part number :SAFEB1G57FA0F55

Recommended Land Pattern



Test Circuit



- This PDF Datasheet is downloaded from the website of Murata Manufacturing Co., Ltd. Therefore, it's specifications are subject to change or our products in it may be discontinued without advance notice. Please check with our sales representatives or product engineers before ordering.
- This PDF Datasheet has only typical specifications because there is no space for detailed specifications. Therefore, please approve our product specifications or transact the approval sheet for product specifications before ordering.