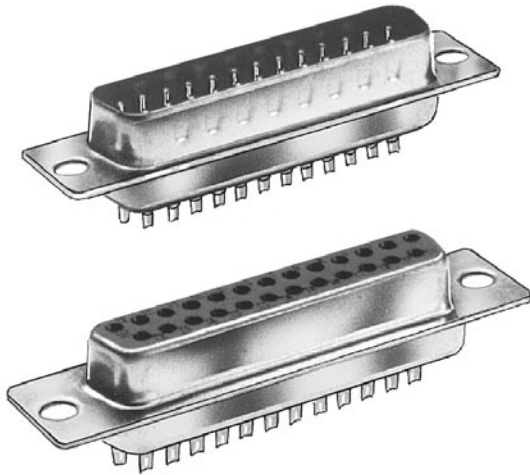


D-Subminiature Solder Cup M21 Series



PART NUMBER LEGEND

M21X - XXX - OXX - XX

MOUNTING OPTIONS:

- 01 = .120" Mounting Holes
- 02 = Riveted, #4-40 clinch nuts
- 03 = Riveted, #4-40 jack screws

CONTACT OPTIONS

- 01 = Solder Cup

NUMBER OF POSITIONS

- 09, 15, 25, 37, 50

CONTACT TYPE

- P = Plug
- S = Socket

PLATING

- S = 5 μ m. Gold Nominal
- 8 = 30 μ m. Select Gold Nominal

SPECIFICATIONS:

Material:

Shell: Steel, tin-plated
Insulator: Polybutylene Terephthalate (PBT), glass reinforced thermoplastic, rated UL 94V-0
Insulator color: Black
Optional insulator colors: White, Blue
Contacts: Pin - Brass, Socket - Phosphor Bronze

Plating:

Per MIL-G-45204, Type II, Grade C min on contact area over 50 μ m nominal nickel underplate to QQ-N-290, Class 2, Grade C, goldflash on solder cups.

Electrical:

Operation voltage: 250 VDC max
Current rating: 3 Amps max
Contact resistance: 20 m Ω max
Insulation resistance: 3000 M Ω min @ 500 VDC between adjacent contacts
Dielectric withstanding voltage: 1000 VAC min RMS (sea level)
Capacitance: 2 pF max between adjacent contacts

Environmental:

Operating temperature: -55°C to +105°C

MATING OPTIONS:

Mates with Methode D-Sub Series M22 and all industry standard D-Subminiature connectors.

ACCESSORIES:

Backshells, dustcovers, hardware

PACKAGING:

Anti-static plastic trays available

APPROVALS AND CERTIFICATIONS:

Select parts recognized under the component program of Underwriters Laboratories, Inc. No. E167232

Certified by Canadian Standards Association No. LR75112



North and South America:

Methode Electronics, Inc. Connector Products

1700 Hicks Road • Rolling Meadows, IL 60008 USA
847-392-3500 • Toll Free: 800-323-6864 • Fax: 847-392-9404
Email: info@methode.com • Web: www.methode.com/connector/index.html

Europe:

Methode Electronics Ireland, Ltd.

Unit H, Crossagalla Business Park, Ballysimon Rd. • Limerick, Ireland
+353 (0) 61 401222 • Fax: +353 (0) 61 401942
Email: info@methode.ie • Web: ireland.methode.com/main.html

Far East:

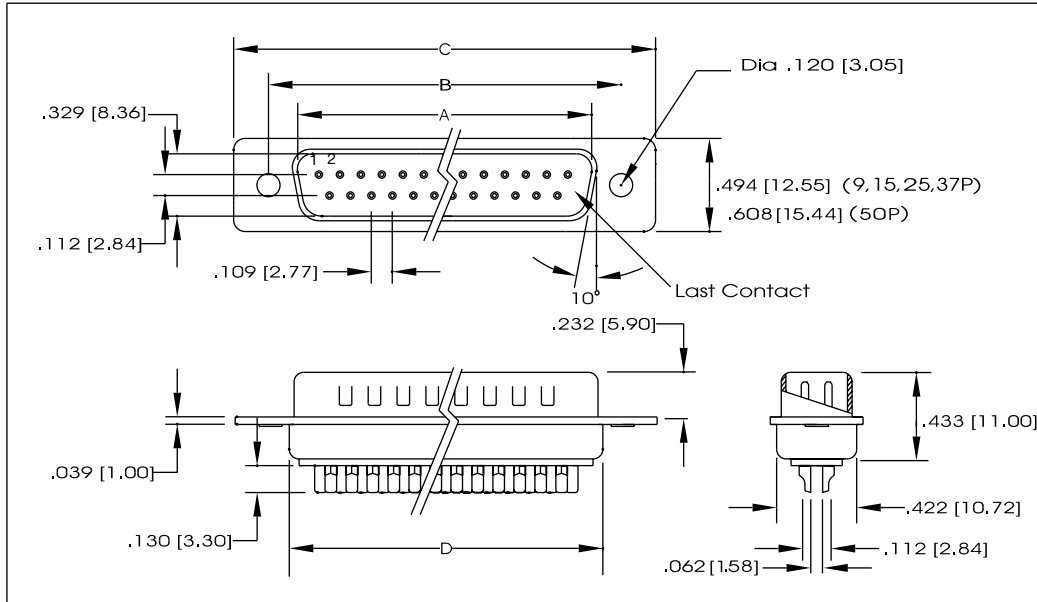
Methode Electronics Far East, Pte. Ltd.

1 Tuas Lane, Jurong Town • Singapore 638610
65-68615444 • Fax: 65-68614777
Email: sales@methode.com.sg • Web: www.methode.com/mefe/index.html

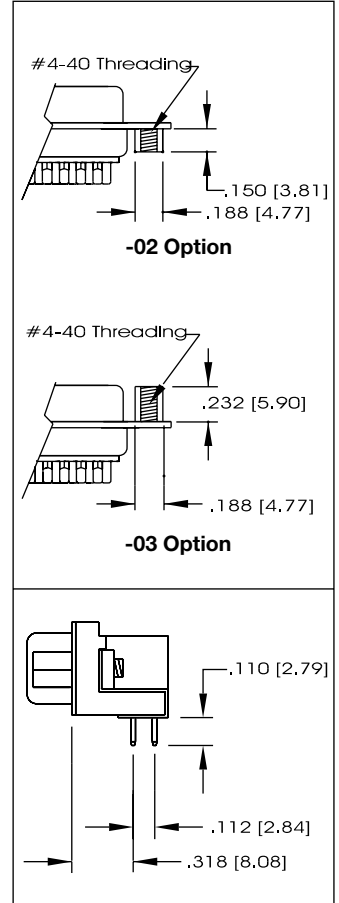
D-Subminiature Solder Cup M21 Series



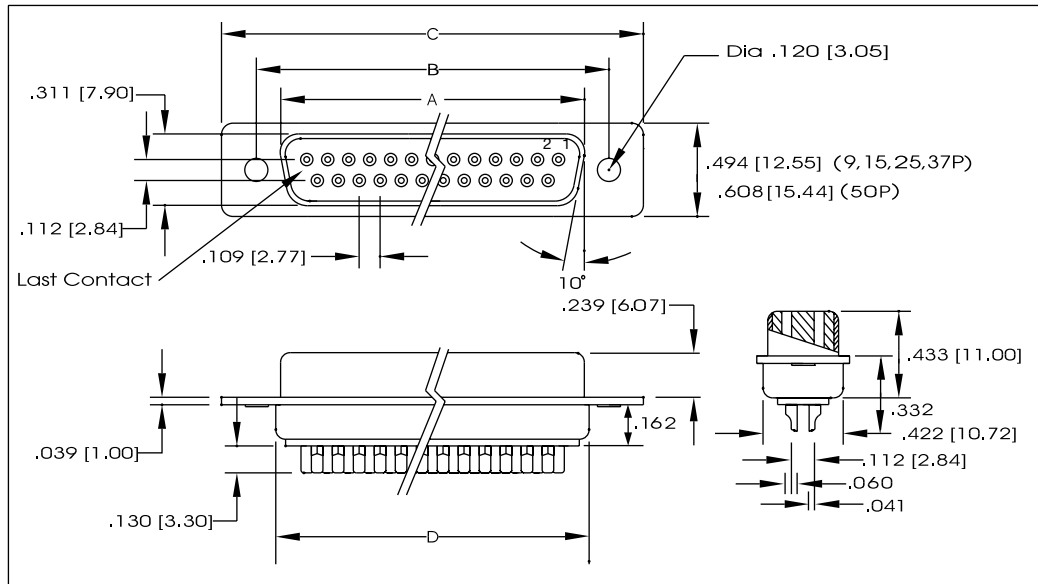
PLUG ASSEMBLY



MOUNTING OPTIONS



SOCKET ASSEMBLY



Unit: Inch / mm

Dimensional: Socket Assembly					Dimensional: Plug Assembly				
CONTACTS	A	B	C	D	CONTACTS	A	B	C	D
9	.643 (16.33)	.984 (24.99)	1.213 (30.81)	.759 (19.28)	9	.666 (16.92)	.984 (24.99)	1.213 (30.81)	.759 (19.28)
15	.971 (24.66)	1.312 (33.32)	1.541 (39.14)	1.083 (27.51)	15	.994 (25.25)	1.312 (33.32)	1.541 (39.14)	1.083 (27.51)
25	1.511 (38.38)	1.852 (47.04)	2.088 (53.04)	1.625 (41.30)	25	1.534 (38.96)	1.852 (47.04)	2.088 (53.04)	1.625 (41.30)
37	2.159 (54.84)	2.500 (63.50)	2.729 (69.32)	2.272 (57.71)	37	2.182 (55.42)	2.500 (63.50)	2.729 (69.32)	2.272 (57.71)
50	2.064 (52.43)	2.406 (61.11)	2.635 (66.93)	2.178 (55.32)	50	2.079 (52.81)	2.406 (61.11)	2.635 (66.93)	2.178 (55.32)



North and South America:
Methode Electronics, Inc. Connector Products
 1700 Hicks Road • Rolling Meadows, IL 60008 USA
 847-392-3500 • Toll Free: 800-323-6864 • Fax: 847-392-9404
 Email: info@methode.com • Web: www.methode.com/connector/index.html

Europe:
Methode Electronics Ireland, Ltd.
 Unit H, Crossagalla Business Park, Ballysimon Rd. • Limerick, Ireland
 +353 (0) 61 401222 • Fax: +353 (0) 61 401942
 Email: info@methode.ie • Web: ireland.methode.com/main.html

Far East:
Methode Electronics Far East, Pte. Ltd.
 1 Tuas Lane, Jurong Town • Singapore 638610
 65-68615444 • Fax: 65-68614777
 Email: sales@methode.com.sg • Web: www.methode.com/mefe/index.html