

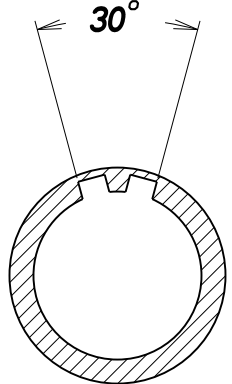
Insulator
Viewed from wiring side



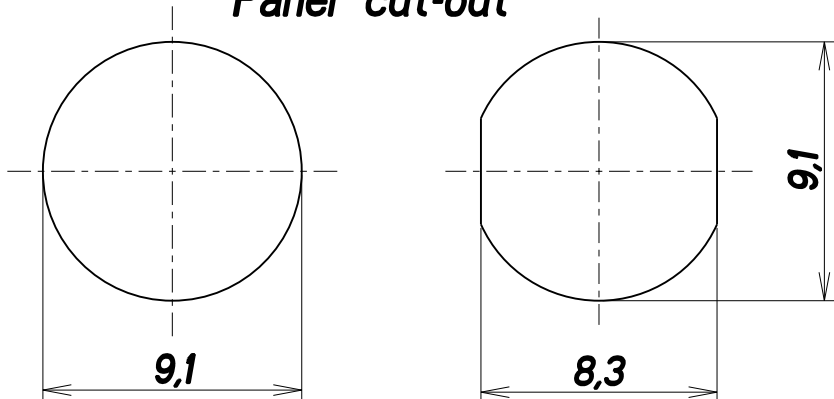
3 sockets x 0.9 mm

Keying

30°

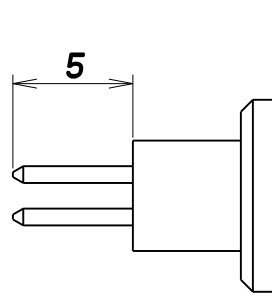
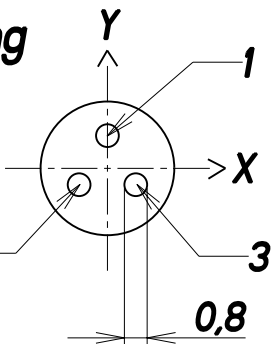


Panel cut-out

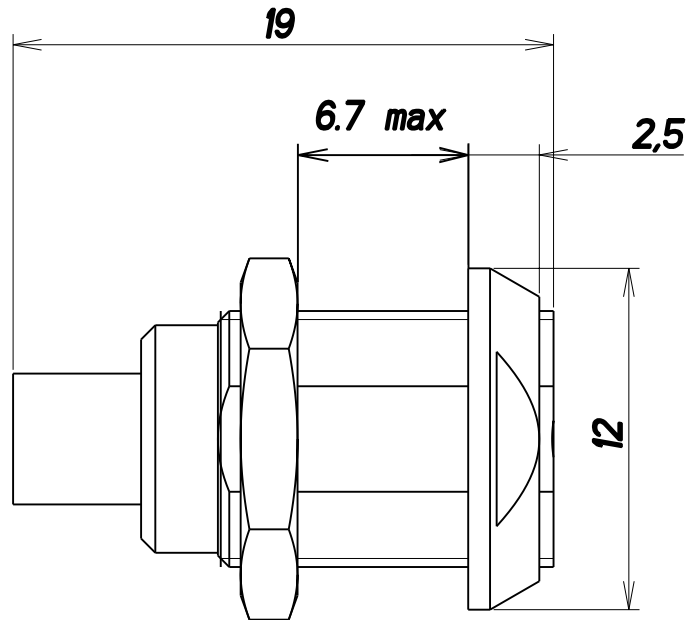


PCB drilling

Rep	X	Y
1	0	1.15
2	-1	-0.6
3	1	0.6



Dimensions (mm)



DOUBLE NUT RECEPTACLE size 0

REV	DESCRIPTION	BY DATE	CHKD DATE	SHEET No.	ZONE
		xxx mm-dd-yy	xxx mm-dd-yy		

REVISION
DRAWING TITLE
DOUBLE NUT RECEPTACLE SIZE 0

CAT NO. **JBX-EA-0A-03-FP-SDS**

DWG RELEASED TO CENTRAL FILE: X
CAGE NO: -- DON: -- PC: -- SIZE: A



INTERCONNECTIONS

APPROVAL	DATE	BY
DRAWN	10-26-00	JAB
CHKD	10-26-00	RC
DSGN	--	--
MFG	--	--
QC	--	--
DRAWING SCALE: 4/1		
DRAWING NO.		REV
JBX-EA-0A-03-FP-SDS		0

www.fciconnect.com

I OF I

THIS DRAWING IS A CONTROLLED DOCUMENT FOR FCI INTERCONNECTIONS. IT IS SUBJECT TO CHANGE AND THE CONTROLLING DOCUMENT CONTROL CENTER SHOULD BE CONTACTED FOR THE LATEST REVISION.

THIS INFORMATION IS CONFIDENTIAL AND DISCLOSED TO YOU ON CONDITION THAT NO FURTHER DISCLOSURE IS MADE BY YOU TO OTHER FCI PERSONNEL WITHOUT WRITTEN AUTHORIZATION FROM FCI INTERCONNECTIONS, YORK, PA.