

Amphenol

HDLM Series Hermaphroditic Duplex Lensed Miniature



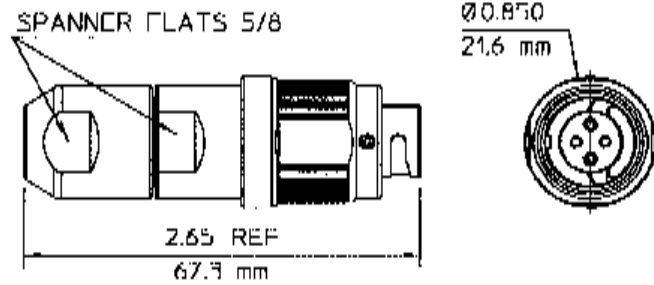
The Fibre Optic Hermaphroditic portfolio now contains a Duplex Lensed Connector. This product has been specifically designed to facilitate the interconnection of fibre optic cable assemblies in extreme harsh environments where cost and space are at a premium and lensing is preferred.

- Lightweight, small design.
- Plug and receptacle are environmentally sealed.
- Fully hermaphroditic wipeclean bayonet mechanism.
- Choice of materials and plating.
- Overmoulded version available.
- For ease of cleaning and washdown, the receptacle has no moving components and is a reverse mount jam nut design.
- High tension cable load capability.

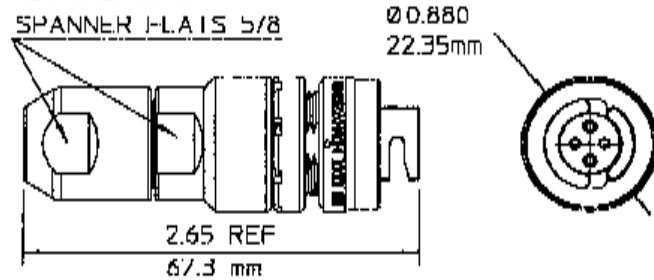
Amphenol

Technical Information

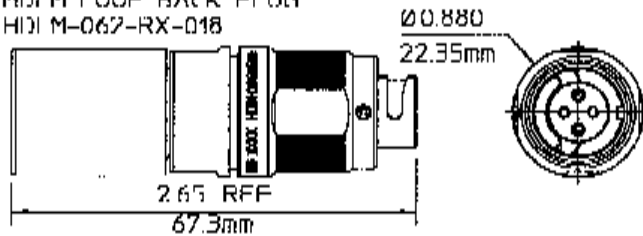
HDLM PLUG ASSEMBLY
HDLM-067-RX-XXX



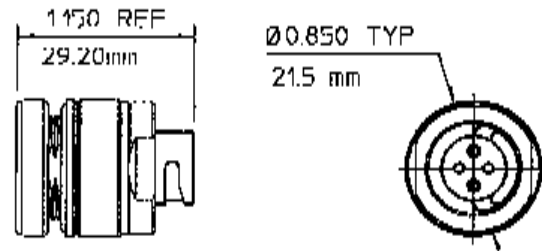
HDLM IN-LINE THREE JAM NUT
RECEPTACLE ASSEMBLY
HDLM-072-RX-014



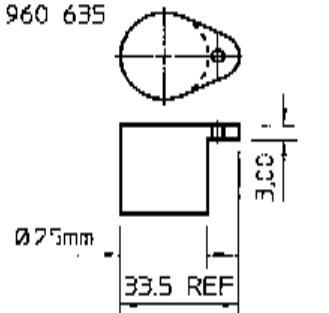
HDLM LOOP BACK PLUG
HDLM-067-RX-018



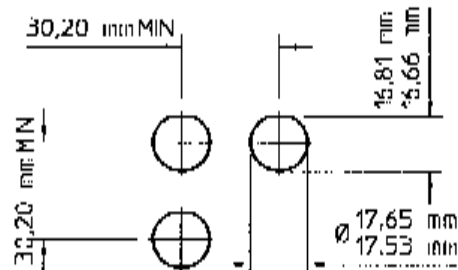
HDLM PANEL MOUNTED JAM NUT
RECEPTACLE ASSEMBLY
HDLM-072-RX-011



HDLM DUST CAP ASSEMBLY
960 635



RECOMMENDED PANEL PIERCING
FOR HDLM-072-XX-XXX SCALE 1:2



Performance

Optical	
Insertion loss	Typically less than 1dB using 62.5/125
Fibre types	50/125 62.5/125
Factory terminated	

Environmental	
Temperature range	-55°C +85°C

Mechanical	
Durability	500 matings aluminium / 1500 matings stainless steel
Materials	Plating: Zinc cobalt
	Material: Stainless steel
	Shell: Aluminium
	Ferrule: Zirconia
	Alignment sleeve: Ceramic
	Seals: Silicone

Part Number Information

Series	HDLM	—	XXX	—	XX	—	XXX
Plug	062						
Panel Mount Receptacle	072						
Olive Drab Cadmium	RW						
Olive Drab Zinc Cobalt	RZ						
Stainless Steel	SS						
Cable Variant	021						Simplex ruggedised 2mm Ø/D multimode (Receptacle only)
	011						Simplex ruggedised 3mm Ø/D multimode (Receptacle only)
(Other cable options available on request)	014						Duplex 5.5mm Ø/D multimode
	018						Loop back version Duplex multimode

For further information on cables, connectors and assemblies please consult your local office. Product specifications and performance characteristics are typical only, and subject to change.

Notice: Products are sold subject to Amphenol's conditions of sale ("the standard conditions"). All specifications and statements contained herein are believed to be correct at the time of printing, but no representation or warranty, express or implied, is given as to any specification or statement contained herein. Product specifications including performance characteristics are typical only and subject to deviation. Specifications are also subject to change without notice. Users should not assume that all safety measures are indicated or that other measures may not be required. No representation or warranty, express or implied, is given that any use of products (including any stated or suggested use) does not infringe any patent, registered design or other third party rights and no stated or suggested use of products can be taken to recommend any such infringement.