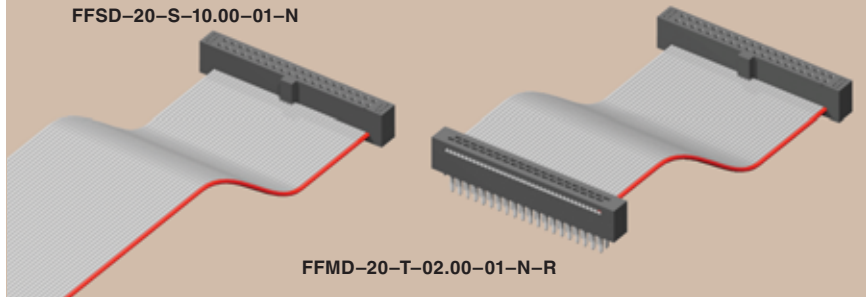




FFSD-20-S-10.00-01-N



FFMD-20-T-02.00-01-N-R

.050" (1,27mm) CABLE STRIPS FFSD, FFMD SERIES

SPECIFICATIONS

FFSD Mates with:
FTS, FTSH, EHF,
SHF, ESHF

For complete specifications
see www.samtec.com?FFSD

FFSD

Insulator Material: PBT
Contact: BeCu
Plating: 10µ" (0,25µm) Au over 50µ" (1,27µm) Ni on contact area; Sn over 50µ" (1,27µm) Ni on balance
Wire: 30 AWG
Current Rating: 0.5A
Operating Temp Range: -40°C to +105°C
Lead Size Accepted: (0,41mm) .016" SQ
Contact Resistance: 10 mΩ maximum
Insertion Depth: (2,64mm) .104" to (3,17mm) .125"
Insertion Force: (Single contact only) 5oz (1,39N) avg.
Withdrawal Force: (Single contact only) 3oz (0,83N) avg.
RoHS Compliant: Yes



Note: This Series is non-standard, non-returnable.

SPECIFICATIONS

Mates with:
FLE*, SFMC*

For complete specifications
see www.samtec.com?FFMD

FFMD

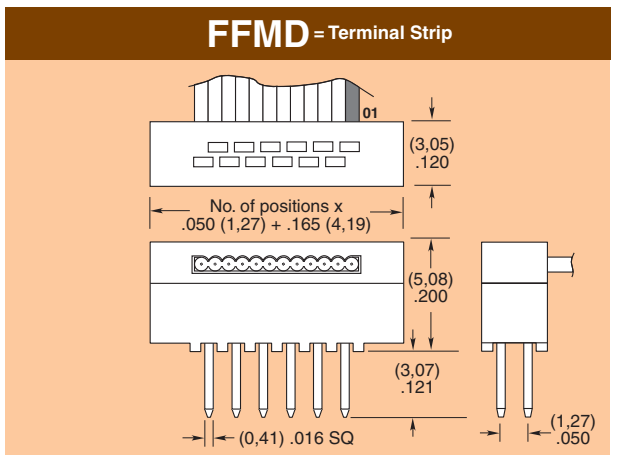
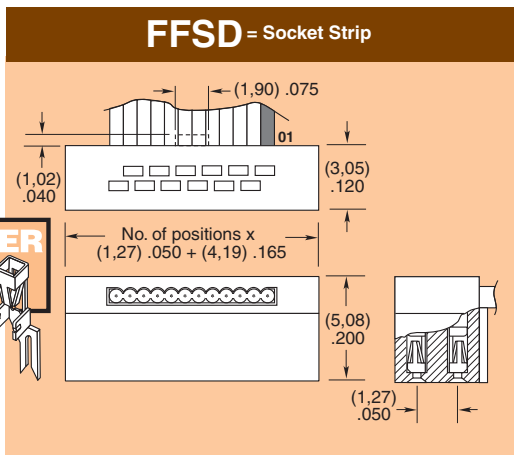
Insulator Material: Black Glass Filled Polyester
Terminal: BeCu
Plating: Sn over 50µ" (1,27µm) Ni
Wire: 30 AWG
Current Rating: 0.5A
Operating Temp Range: -40°C to +105°C
RoHS Compliant: Yes



***Note:** Standard FFMD callout will not mate with FLE, SFMC. Must use gold plated callouts. See drawing on web.

Note: This Series is non-standard, non-returnable.

TYPE STRIP	NO. PINS PER ROW	END OPTION	OVERALL LENGTH	01	OPTION	OTHER OPTION
	-05, -08 -10, -13, -17, -20, -25 (Call for other sizes)		- "XX.XX" = Assembled Length <small>Assembled Length in INCHES (±.130") 2 inches minimum</small>			-N = Notch Polarization (FFSD only)
		-S = Single End	-D = Double End	-T = Transfer End (FFMD only)		Leave blank for -S and -D End Options. For -T End Option Specify "-N" (Socket has notch polarization) (FFMD only)
		-RW = Reverse Wiring	-D "XX" = Daisy Chain	-R = Reverse	-O = Outside Reverse	-SR = Strain Relief
		Blue or black wire opposite position #1.	2" min. "XX" ± 1/8" 4" minimum	Requires -DXX 3	Requires -DXX 3	No. of positions x (1,27) .050 + (8,00) .315 Not available with -S, -O, -M, -R or -DXX
				-M = Middle Reverse		
				Requires -DXX 3		



Due to technical progress, all designs, specifications and components are subject to change without notice.

WWW.SAMTEC.COM