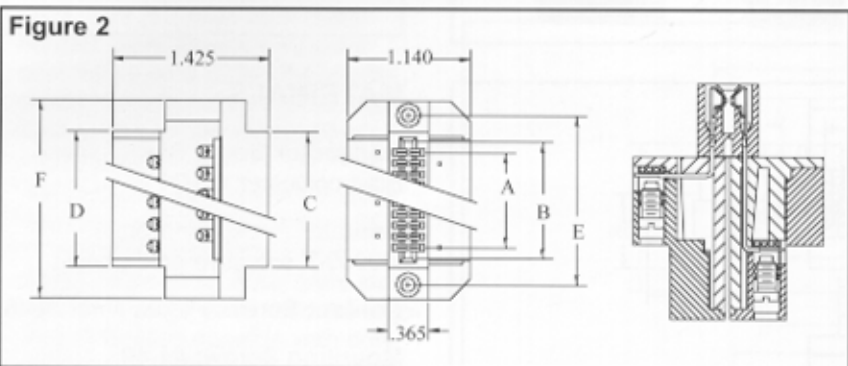


- .100 " SPACING
- 10 TO 80 CONTACTS
- HIGHEST DENSITY
- PRE-LOADED CONTACTS
- BIFURCATED CONTACTS



The .100" spacing, high-density ELH screw terminal/edgecard connector features the highest contact density - 20 terminations per linear inch - of any screw termination connector system available. The ELH packages 80 I/O connections in a 4.85" x 1.15" envelope. The compact ELH offers new packaging possibilities to the industrial systems designer.

### Single & Double Density

Connectors are available in single- and double-density versions and range in size from 10 (single-density) to 80 (double-density) contacts.

### MATERIALS:

**Housing:** Black, glass-filled polyester UL94-V0

**Contact:** Phosphor bronze. .000030" selective gold plating

**Wire Clamp:** Brass, nickel plated

**Screw:** Steel, nickel plated

### SPECIFICATIONS:

**Wire Range:** #14-26 AWG

**Current Rating:** 5A

**Insulation Resistance:** 1011 ohms

**Durability:** 500 cycles in accordance with MIL-C-21097

**Wire Pullout Force:** 35 lbs. minimum

### Single Density Specs

CATALOG NUMBER	NO. POS	A	B	C	D	E	F
ELH101100	10	.90	1.10	1.26	1.27	1.58	1.84
ELH201100	20	1.90	2.10	2.26	2.27	2.58	2.84
ELH251100	25	2.40	2.60	2.76	2.77	3.08	3.34
ELH301100	30	2.90	3.10	3.26	3.27	3.58	3.84
ELH401100	40	3.90	4.10	4.26	4.27	4.58	4.84

### Double Density Specs

CATALOG NUMBER	NO. POS	A	B	C	D	E	F
ELH102100	20	.90	1.10	1.26	1.27	1.58	1.84
ELH152100	30	1.40	1.60	1.76	1.77	2.08	2.34
ELH202100	40	1.90	2.10	2.26	2.27	2.58	2.84
ELH252100	50	2.40	2.60	2.76	2.77	3.08	3.34
ELH302100	60	2.90	3.10	3.26	3.27	3.58	3.84
ELH402100	80	3.90	4.10	4.26	4.27	4.58	4.84