

Customer Information Sheet

DRAWING No.: D39XX-01

SHEET 2 OF 2

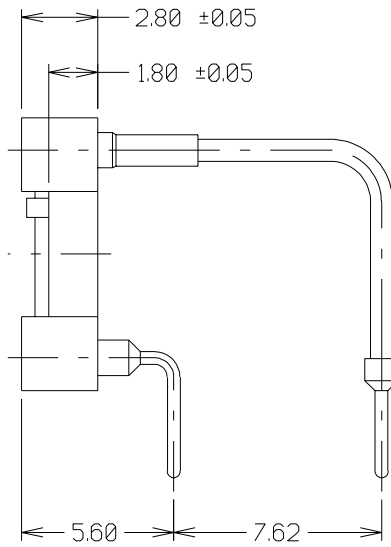
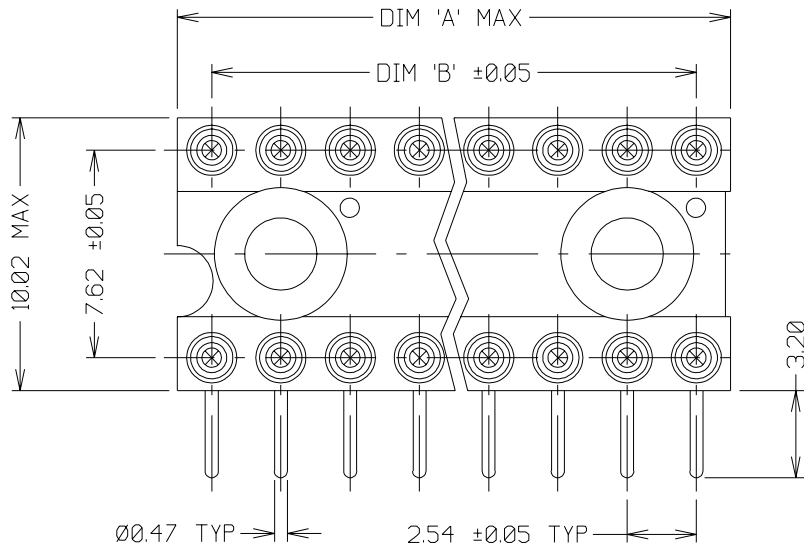
IF IN DOUBT - ASK

©

NOT TO SCALE

THIRD ANGLE PROJECTION

ALL DIMENSIONS IN mm



SPECIFICATIONS:

MATERIAL:
 MOULDING = GLASS-FILLED POLYESTER
 UL94V-0, BLACK

SHELL = BRASS
 CLIP = BERYLLIUM COPPER

FINISH:
 SHELL = 5µ 90/10 TIN/LEAD
 CLIP = 0.25µ GOLD

ELECTRICAL:
 CURRENT RATING = 1A
 VOLTAGE RATING = 100V AC, 150V DC
 CONTACT RESISTANCE = 10 MILLIOHMS MAX
 INSULATION RESISTANCE = 10,000 MEGOHMS MIN
 DIELECTRIC WITHSTANDING = 1,000V AC MIN

MECHANICAL:
 INSERTION FORCE (Ø0.43mm GAUGE) = 3.0N MAX
 WITHDRAWAL FORCE (Ø0.43mm GAUGE) = 0.5N MIN
 DURABILITY = 100 CYCLES MIN
ENVIRONMENTAL:
 TEMPERATURE RANGE = -55°C TO +125°C

ORDER CODE:
D39XX-01

No. OF CONTACTS
 SEE TABLE

FINISH
 01 - TIN/LEAD SHELL, GOLD CLIP

PART No.	No. OF CONTACTS	DIM 'A'	DIM 'B'
D3906-01	6	7.60	5.08
D3908-01	8	10.10	7.62
D3914-01	14	17.70	15.24
D3916-01	16	20.30	17.78
D3918-01	18	22.80	20.32
D3920-01	20	25.30	22.86
D3924-01	24	30.40	27.94

- NOTES:**
1. RECOMMENDED HOLE SIZE = Ø0.80mm.
 2. RECOMMENDED PC BOARD THICKNESS = 1.4 TO 2.0mm.
 3. RECOMMENDED MATING PIN DIAMETER = Ø0.56-0.40mm.
 4. MAXIMUM CONTACT DEPTH = 2.40mm.
 MAXIMUM MATING PIN LENGTH = 3.65mm.

1	07.09.00	----
ISS.	DATE	C/NOTE
APPROVED:		
CHECKED:		
DRAWN: W. J. BOURNE		
CUSTOMER REF.:		
ASSEMBLY DRG:		



HARWIN INC U.S.A. TEL: (812) 285 0055 FAX: (812) 285 0056	HARWIN PLC UK. TEL: 023 9237 0451 FAX: 023 9231 4590	HARWIN PTE SINGAPORE TEL: 65 7794909 FAX: 65 7793868
--	---	---

THIS DRAWING AND ANY INFORMATION OR DESCRIPTIVE MATTER SET OUT HEREON ARE CONFIDENTIAL AND COPYRIGHT PROPERTY OF THE HARWIN GROUP AND MUST NOT BE DISCLOSED, LOANED, COPIED OR USED FOR MANUFACTURING, TENDERING OR FOR ANY OTHER PURPOSE WITHOUT THEIR WRITTEN PERMISSION.

TOLERANCES
 X = ±1mm
 X.X = ±0.25mm
 X.XX = ±0.10mm
 X.XXX = ±0.01mm
 ANGLES = ±1°
 UNLESS STATED

MATERIAL:
 SEE ABOVE

FINISH:
 SEE ABOVE

S/AREA:
 mm²

TITLE: 2.54mm PITCH DIL IC DISPLAY SOCKET (CLOSED FRAME)

DRAWING NUMBER:
 D39XX-01

SHT
 2
 OF
 2