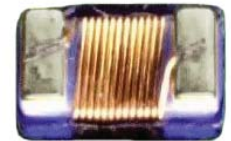


SMD CERAMIC WIRE-WOUND CHIP INDUCTORS

AISC-0402-xxx



1.19 x 0.51 x 0.66mm

FEATURES:

- Ceramic construction assures the utmost thermal stability & high SRF
- Exceptionally high Q compared to non-wirewound inductors, especially at high frequencies
- Inductance options from 1.0nH to 47nH

APPLICATIONS:

- Widely applied in VCO, SAW circuit for GSM, & CDMA communications
- Used in hard disk, notebook computers & other electronic equipment

ELECTRICAL SPECIFICATIONS:

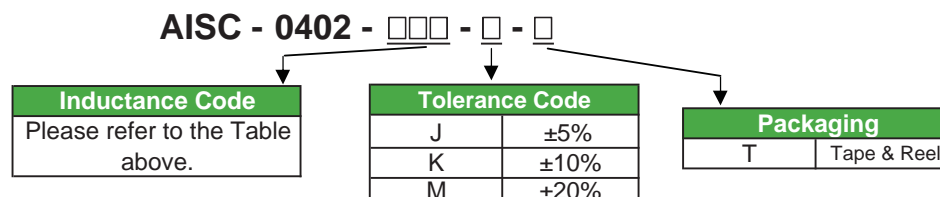
PARAMETERS

ABRACON P/N:	AISC-0402-xxx Series
Operating temperature:	-25°C to + 125°C
Storage temperature:	-25°C to + 85°C, 70% RH max.

Part Number AISC-0402-	L (nH)	L. Test		Q Min	Q Test Freq (MHz)	SRF Min (MHz)	R _{DC} Max (Ω)	I _{DC} Max (mA)
		Freq (MHz)	Tolerance (±%)					
1N0	1.0	250	5	16	250	>6000	0.05	1360
2N0	2.0	250	5	16	250	>6000	0.07	1040
2N2	2.2	250	5	19	250	>6000	0.07	960
3N3	3.3	250	5	19	250	6000	0.07	840
3N6	3.6	250	5	19	250	6000	0.07	840
3N9	3.9	250	5	19	250	5800	0.07	840
5N1	5.1	250	5	20	250	5800	0.08	800
5N6	5.6	250	5	20	250	5800	0.08	760
6N2	6.2	250	5	20	250	5800	0.08	760
7N5	7.5	250	5	22	250	5800	0.10	680
8N2	8.2	250	5	22	250	4400	0.10	680
9N0	9.0	250	5	22	250	4160	0.11	680
10N	10	250	5	21	250	3900	0.12	480
11N	11	250	5	24	250	3680	0.12	640
12N	12	250	5	24	250	3600	0.17	640
15N	15	250	5	24	250	3280	0.20	560
19N	19	250	5	24	250	3040	0.91	480
23N	23	250	5	24	250	2720	0.21	400
27N	27	250	5	24	250	2480	0.30	400
36N	36	250	5	24	250	2320	0.40	320
40N	40	250	5	24	250	2240	0.44	320
47N	47	250	5	20	250	2100	0.83	150

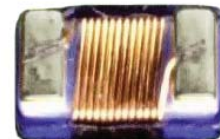
OPTIONS & PART IDENTIFICATION:

[Left blank if standard]



SMD CERAMIC WIRE-WOUND CHIP INDUCTORS

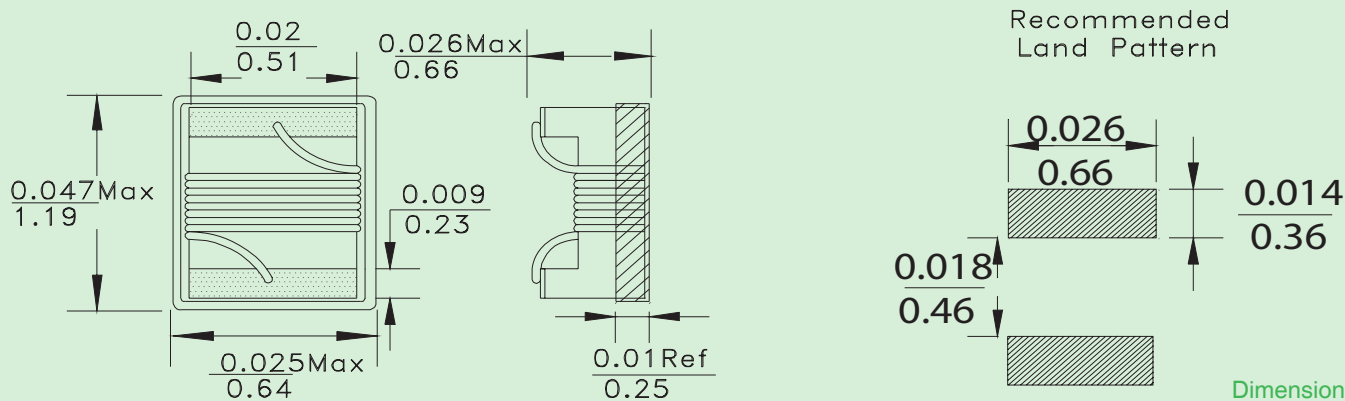
AISC-0402-xxx



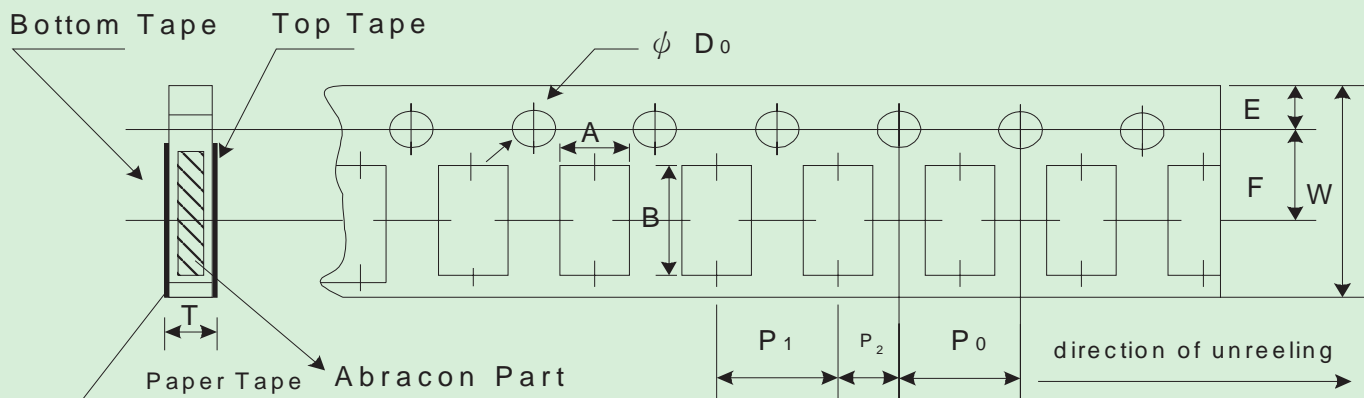
1.19 x 0.51 x 0.66mm

OUTLINE DRAWING:

Standard Dimension: With Cap

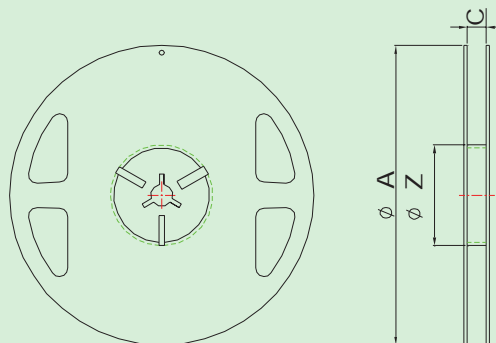


TAPE & REEL:



Codes	A	B	W	E	F
AISC-0402	0.80±0.05	1.4±0.05	8.00±0.10	1.75±0.05	3.5±0.05

Codes	P ₀	P ₁	P ₂	ΦD ₀	T
AISC-0402	4.00±0.10	4.00±0.05	2.00±0.05	1.55±0.05	0.75±0.03



series	A	C	Z
AISC-0402-xxx	178±2.0	8.4+1.5	60±1.0

Dimensions: mm

ABRACON IS
ISO 9001 / QS 9000
CERTIFIED



Visit www.abracon.com for Terms & Conditions of Sale **Revised: 10.09.07**
30332 Esperanza, Rancho Santa Margarita, California 92688
tel 949-546-8000 | fax 949-546-8001 | www.abracon.com