

139.000 MHz SAW FILTER

AFS139.0W01-ND01



RoHS
Compliant



11.3 x 4.8 x 3.5 mm

FEATURES:

- Compact size resistance weld sealed package
- No polarity

APPLICATIONS:

- Pager (Double Super)

STANDARD SPECIFICATIONS:

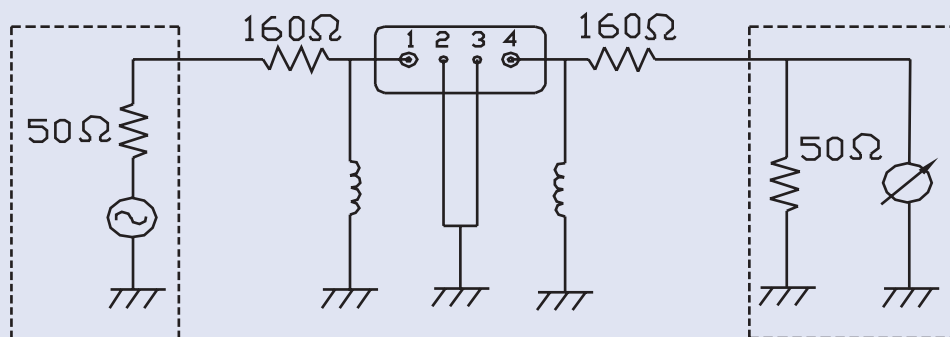
MAXIMUM RATINGS

Item	Value
Operation Temperature Range	-40°C to +80°C
Storage Temperature Range	-40°C to +85°C
DC Voltage V_{dc}	10V DC max.
Maximum Input Power	0 dBm

ELECTRICAL CHARACTERISTICS

Item	Minimum	Typical	Maxim	Unit	
Nominal Center Frequency (f_c)		139.00		MHz	
Insertion Loss	$f_c - 100\text{MHz}$ to $f_c - 46.8\text{MHz}$	50	60	--	dB
	$f_c - 46.8\text{MHz}$ to $f_c - 38.8\text{MHz}$	50	65	--	
	$f_c \pm 4\text{MHz}$	--	5.0	6.5	
	$f_c + 38.8\text{MHz}$ to $2.5 \times f_c$	42	55	--	
Input Impedance (Nominal)	--	210Ω// -13.3pF			
Output Impedance (Nominal)	--	210Ω// -13.3pF			
Insulating Resistance (DC 10V)	10MΩ				

TEST CIRCUIT



139.000 MHz SAW FILTER

AFS139.0W01-ND01

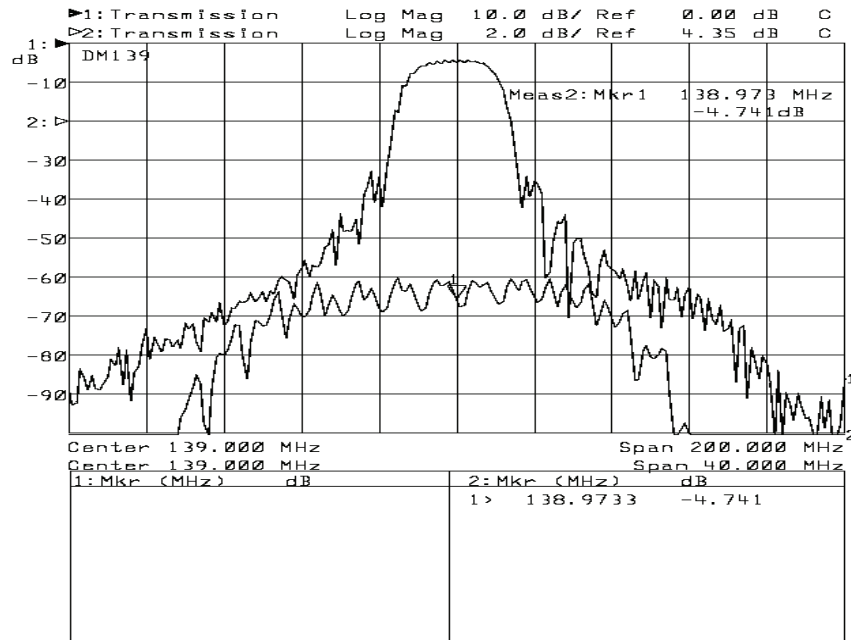


RoHS
Compliant

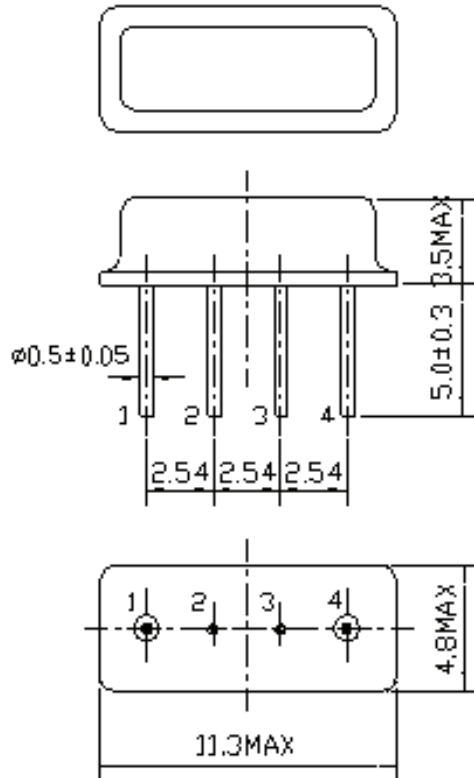


11.3 x 4.8 x 3.5 mm

FREQUENCY CHARACTERISTICS



OUTLINE DIMENSIONS:



Pin No.	
1	Input
4	Output
2,3	Ground

NOTE: Abracon manufactured products are intended for general commercial and industrial use. For applications requiring high reliability and/or presenting extreme operating environment, written consent & authorization from Abracon is required.

ABRACON IS
ISO 9001 / QS 9000
CERTIFIED



Visit www.abracon.com for Terms & Conditions of Sale **Revised: 07.24.09**
 30332 Esperanza, Rancho Santa Margarita, California 92688
 tel 949-546-8000 | fax 949-546-8001 | www.abracon.com