



The 1TS/1US/1VS caps for the Multimec 5G switch series are optimised with a “snap-on” system to ensure the cap to stay on the switch actuator even under heavy vibrations and similar scenarios.

The caps have a soft line shape and are rounded on top giving a good “feel” to the operator. The product line comprises of three different shapes that can be used to create patterns such as columns, keypads and navigators.

The 1TS/1US/1VS caps in forsted white have a full or legend illumination option. Legend illumination is created with full paint and laser-marking or pad printing. The 5G switch series provides through-hole and SMD versions with three different actuation force possibilities: 2.0, 3.5 and 6.5 N.

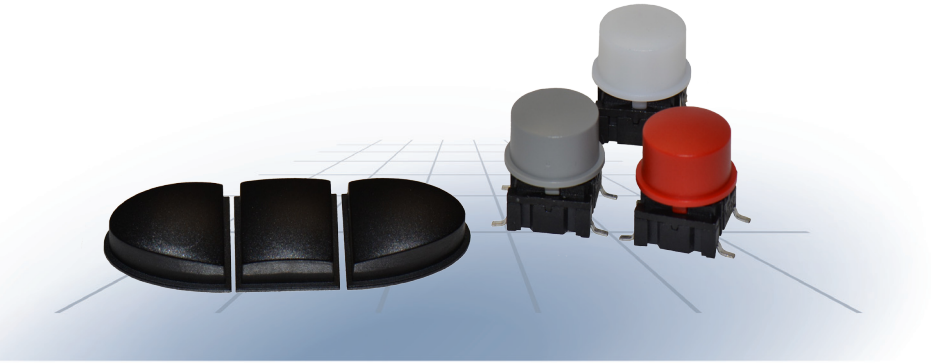


*Legends on the picture are not standard

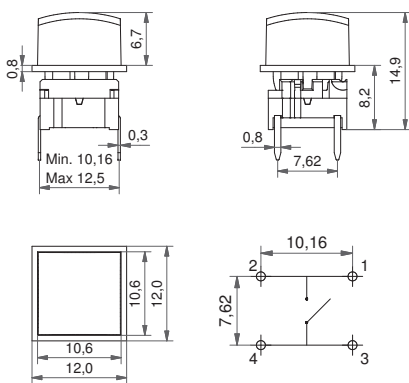
Distributor:

Technical Data:

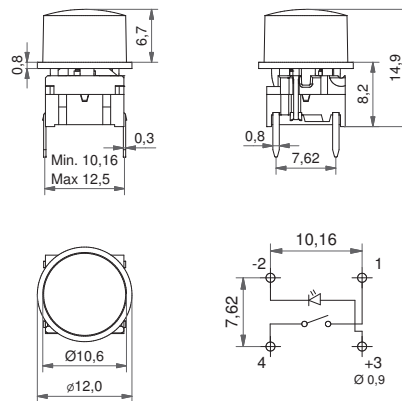
- through-hole or SMD
- 50mA/24VDC
- single pole/momentary
- 10.000.000 operations lifetime
- IP67 sealing
- temperature range:
LED: -30/+85°C
high temp: -40/+160°C
keycap: -40/+85°C
- actuation force: 2.0, 3.5, 6.5 N



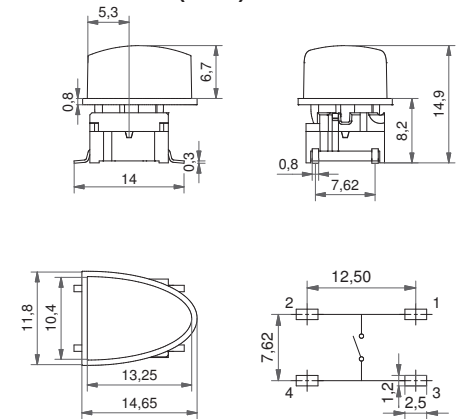
Dimensions (through-hole) + 1TS



Dimensions (TH w/LED) + 1US



Dimensions (SMD) + 1VS



HOW TO ORDER illuminated

5 G				+		
Switch	Mounting	Actuation force	LED		Cap	Colour code
	TH9 through-hole	20	01 blue		1TS	16 frosted white
	SH9 surface mount	35	22 green		1US	
		65	42 yellow		1VS	
		Q*	61 white			
			82 red			
			2242 green/yellow			
			8222 red/green			

HOW TO ORDER non-illuminated

5 G			+		
Switch	Mounting	Actuation force		Cap	Colour code
	TH9 through-hole	20		1TS	00 blue
	SH9 surface mount	35		1US	03 grey
		65		1VS	08 red
		Q*			09 black

*Only available for actuation force 2.0N (20) and the letter Q is added to the end of the switch part number. See the ordering example.
Dimensions (mm) Unless otherwise specified, all tolerances +/- 0,2

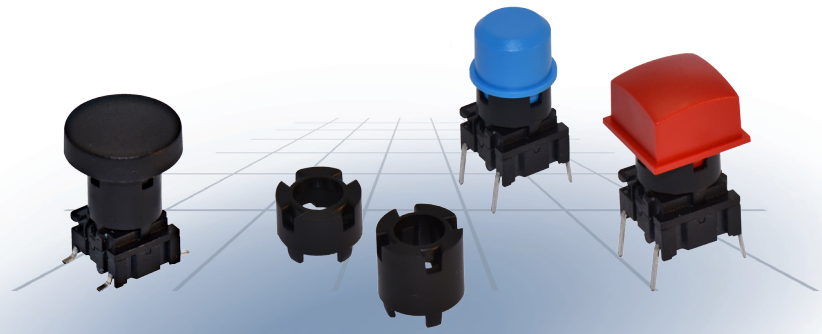
Ordering example: 5GTH935+1TS08 without illumination
5GSH92001+1US16 with illumination
*5GSH92022Q or 5GTH920Q (quiet version)

See colour codes on our website: www.mec.dk

For updates of products and/or changes of specifications please see www.mec.dk

Technical Data:

- through-hole or SMD
- 50mA/24VDC
- single pole/momentary
- 10.000.000 operations lifetime
- IP67 sealing
- temp. range: switch: -40/+160°C
LED: -30/+85°C
solid keycap: -40/+65°C
transparent keycap: -40/+85°C
- actuation force: 2.0, 3.5, 6.5 N



Dimensions (2SS)	Dimensions (SMD) + 1GCS	Dimensions (SMD) + 1DS	Dimensions (TH) + 1TS
<p>5mm, 6mm, 7mm, 8mm, 9mm, 10mm</p>	<p>Height 5-10 Total height 17.5-22.5 14</p>	<p>Height 5-10 Total height 19.9-24.9</p>	<p>Height 5-10 Total height 19.9-24.9 Min 10,16 Max 12,5</p>

HOW TO ORDER

5 G	<input type="text"/>	<input type="text"/>	<input type="text"/>	+	<input type="text"/>	+	2 S S 0 9 -	<input type="text"/>	<input type="text"/>	. 0
Switch	Mounting	Actuation force	(LED)		Cap		Extender 2SS height			
	TH9 through-hole SH9 surface mount	20 35 65 Q*	01 blue 22 green 42 yellow 61 white 82 red 2242 green/yellow 8222 red/green 8242 red/yellow		See the table below		05.0 06.0 07.0 08.0 09.0 10.0			

2SS can be used with all 5G-type snap-on caps

All 2SS extenders are stackable giving the possibility to match most overall heights.

Keycap	Original height	Height with a single extender
1DS/1ES/1FS	14.9	19.9-24.9
1GAS/1GCS	12.5	17.5-22.5
1KS/1KBS/1KCS	19.1; 20.2; 20.1	24,1; 25,2; 25,1- 29,1; 30,2; 30,1
1NS	14.9	19.9-24.9
1TS/1US/1VS	14.9	19.9-24.9
1WAS/1WDS/1WPS	15.7	20.7-25.7
1XS	18.5	23.5-28.5
1ZCS	11.7	16.7-21.7

*Only available for actuation force 2.0N (20) and the letter Q is added to the end of the switch part number. See the ordering example.

Dimensions (mm) Unless otherwise specified, all tolerances +/- 0,2

Ordering example: 5GTH935+1GAS09+2SS09-06.0
*5GSH920Q or 5GTH92082Q (quiet version)

See colour codes on our website: www.mec.dk

For updates of products and/or changes of specifications please see www.mec.dk