

**SPECIFICATIONS**

**Mechanical**

Contact Retention Force: 0.5Kg min.

**Electrical**

Voltage Rating: 500V

Current Rating: 1A

Contact Resistance: 20mΩ max.

Dielectrical Withstanding Voltage: 750V

Insulation Resistance: 10000MΩ min.

**Physical**

Housing: PBT, UL 94-0, Gray

Contact: Phosphor Bronze

Plating: See "ORDERING INFORMATION"

**HARD METRIC CONNECTOR**

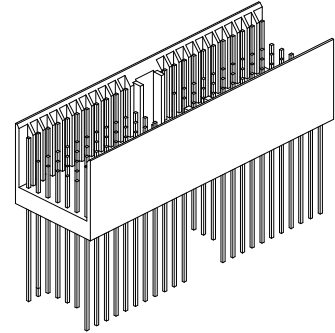
**2H Series**

Hard Metric Header Type A

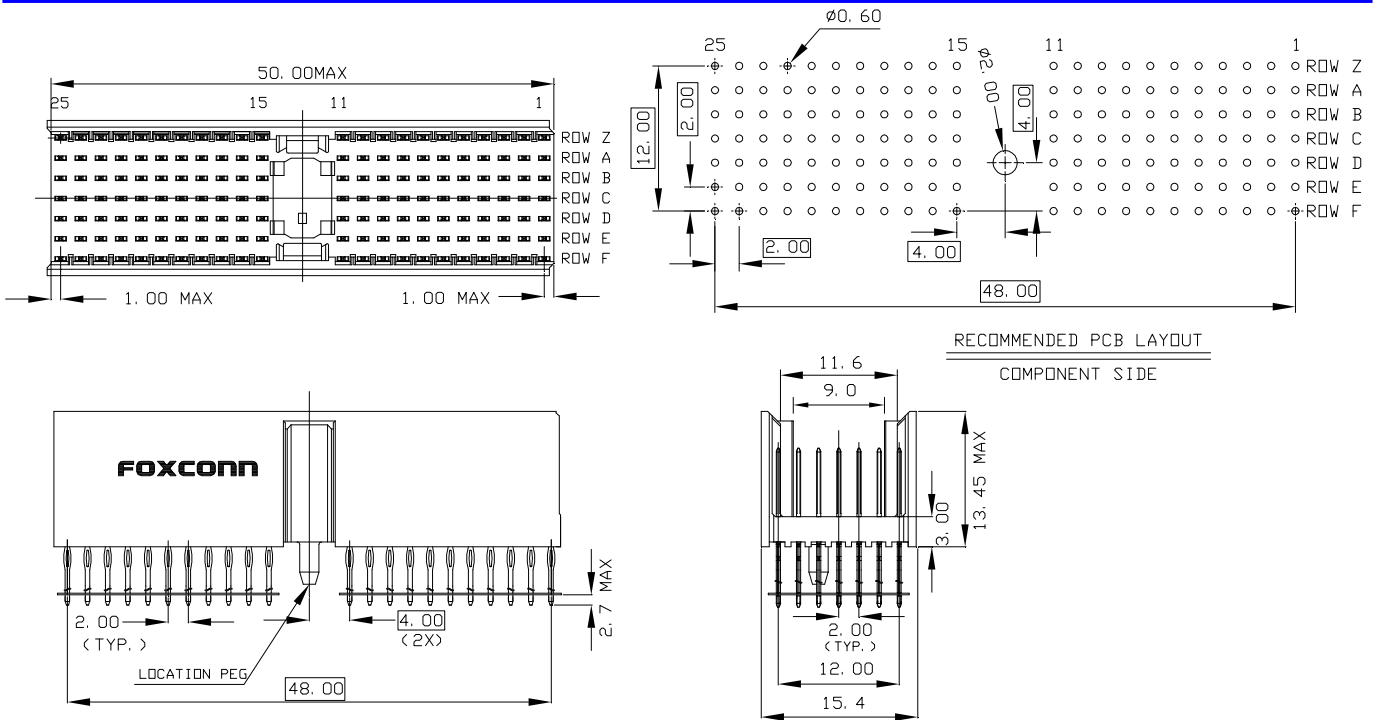
Press Fit Type

2.0mm Pitch

5 Row



**DRAWING**



**ORDERING INFORMATION**

PRODUCT NO.: 2H1\*\*\*\*\*-A\*\*\*

- Row No. ———— 1: 5 Row, 2: 7:5+2Row
- Column No.: ———— 1: 22:22 Column
- Location Peg: ———— 0: W/O Location Peg, 1: W/ Location Peg
- Plating Spec. ———— 1: Gold Flash, 3: 30u" (0.76um) FPT Plating, 5: 50u" (1.27um) Au Plating
- Selective Pin Pattern
- Option For Tail Length and Hot Swap
- Extension Code N, S, E, F