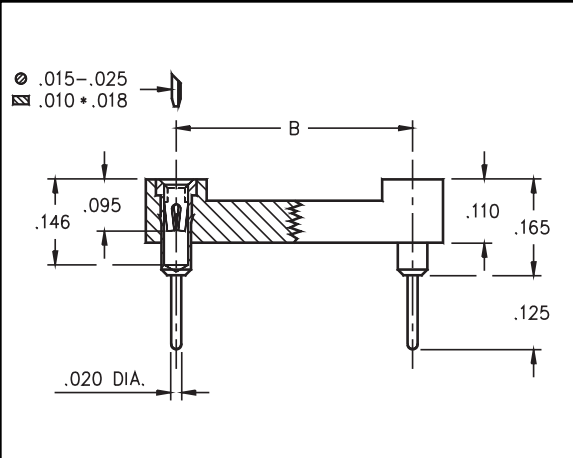


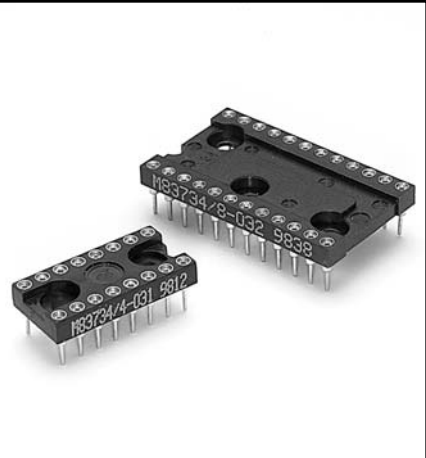


MILITARY DUAL-IN-LINE SOCKETS
MIL-S-83734 APPROVED
Solder Tail, Closed Frame

Series 210...101



- Sockets are XY stackable.
- Machined outer sleeve with BeCu inner contact.
- Socket pins feature closed-end construction eliminating any solder/flux wicking problems.
- Packaged in tubes compatible with automatic insertion equipment.
- Uses Mill-Max #1001 pin. See page 134 for details.



Total number of pins				Quantity per tube	Ordering Information			
	A	B	C		Mill-Max Part Number		Military Part Number	
	6	0.3	0.3		0.4	67	210-XX-306-41-101	M83734/1-YYY
8	0.4	0.3	0.4	50	210-XX-308-41-101	M83734/2-YYY		
14	0.7	0.3	0.4	28	210-XX-314-41-101	M83734/3-YYY		
16	0.8	0.3	0.4	25	210-XX-316-41-101	M83734/4-YYY		
18	0.9	0.3	0.4	22	210-XX-318-41-101	M83734/5-YYY		
20	1.0	0.3	0.4	20	210-XX-320-41-101	M83734/13-YYY		
22	1.1	0.4	0.5	18	210-XX-422-41-101	M83734/6-YYY		
24	1.2	0.6	0.7	16	210-XX-624-41-101	M83734/8-YYY		
28	1.4	0.6	0.7	14	210-XX-628-41-101	M83734/7-YYY		
32	1.6	0.6	0.7	10	210-XX-632-41-101	M83734/17-YYY		
40	2.0	0.6	0.7	8	210-XX-640-41-101	M83734/10-YYY		
64	3.2	0.9	1.0	6	210-XX-964-41-101	M83734/15-YYY		
SEE PAGE 116 FOR COMPLETE QPL								
SPECIFY MILL-MAX PLATING CODE XX=					33	83	88	
FOR MILITARY CODE YYY=					031	032	033	
(6 PIN ONLY) YYY=					025	026	027	
(32 PIN ONLY) YYY=					013	014	015	
Sleeve (Pin)					30μ" Au	100μ" Sn/Pb	100μ" Sn/Pb	
Contact (Clip)					30μ" Au	30μ" Au	100μ" Sn/Pb	