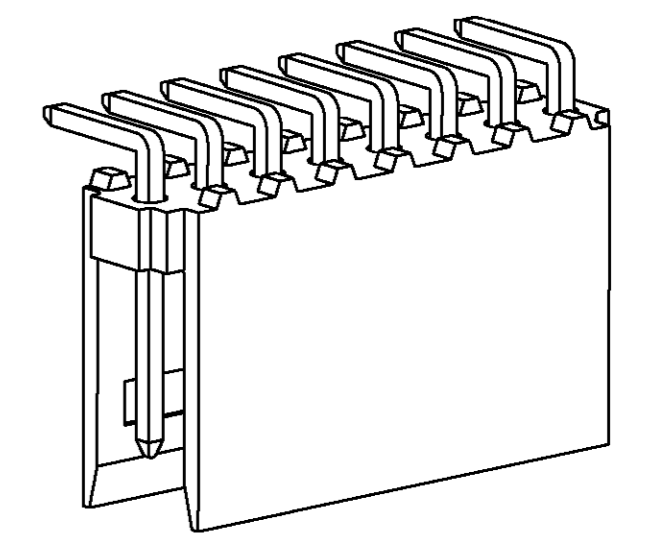
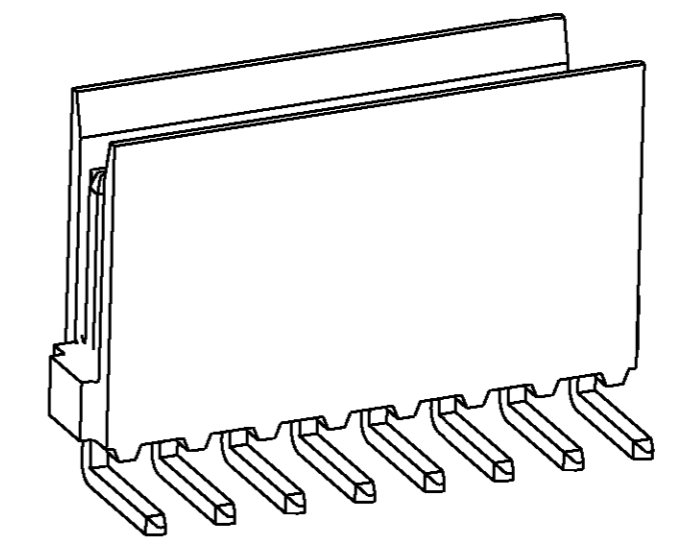
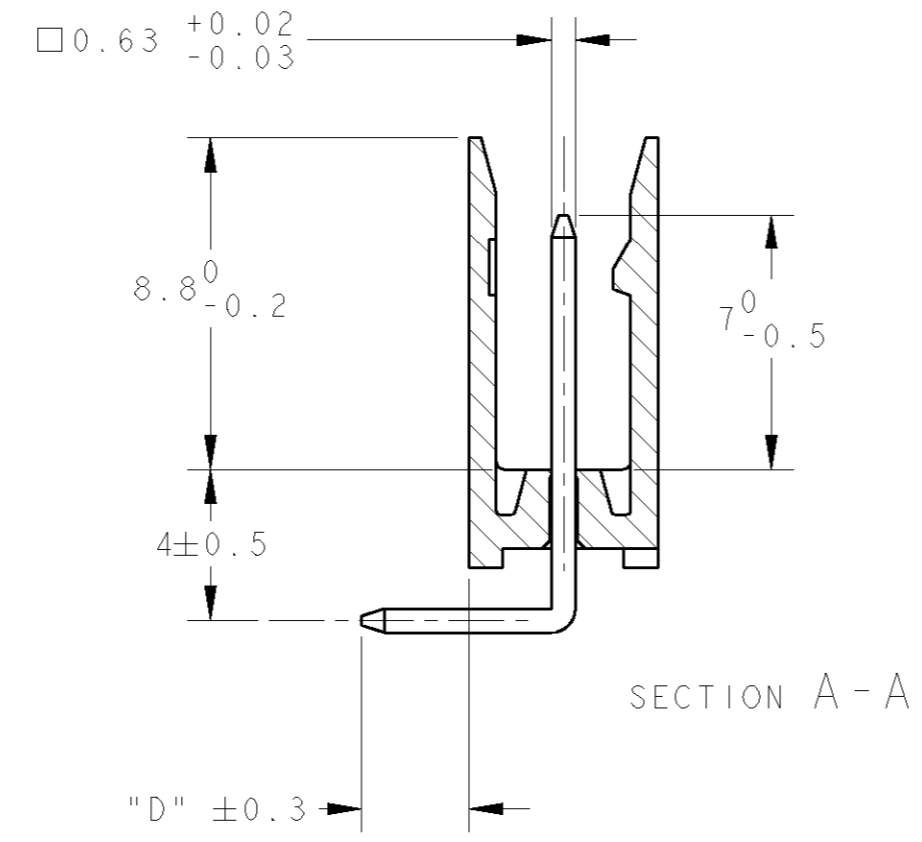
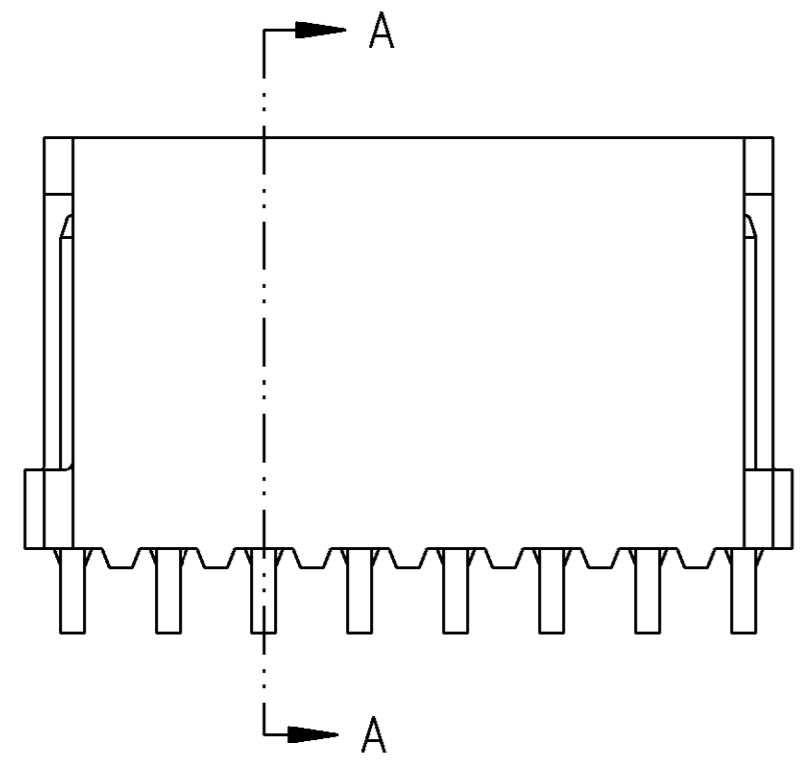
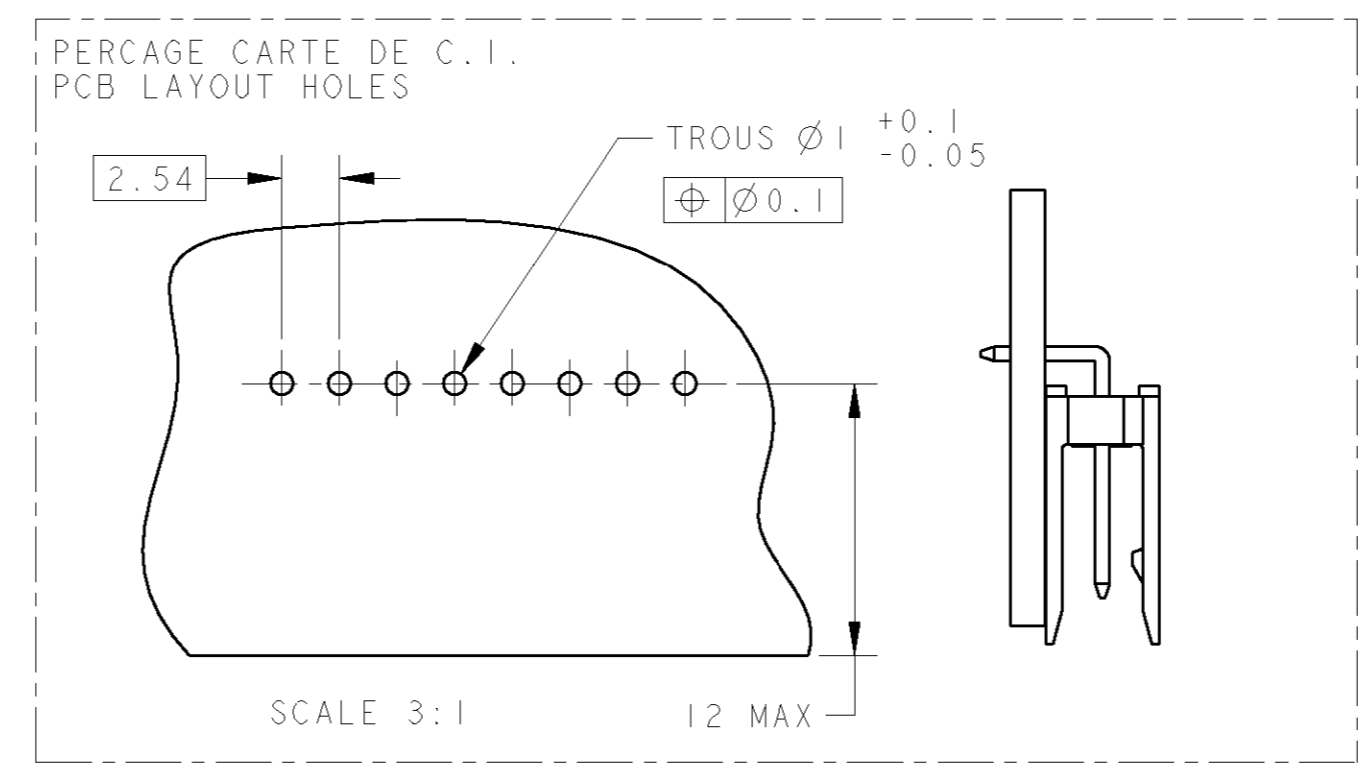
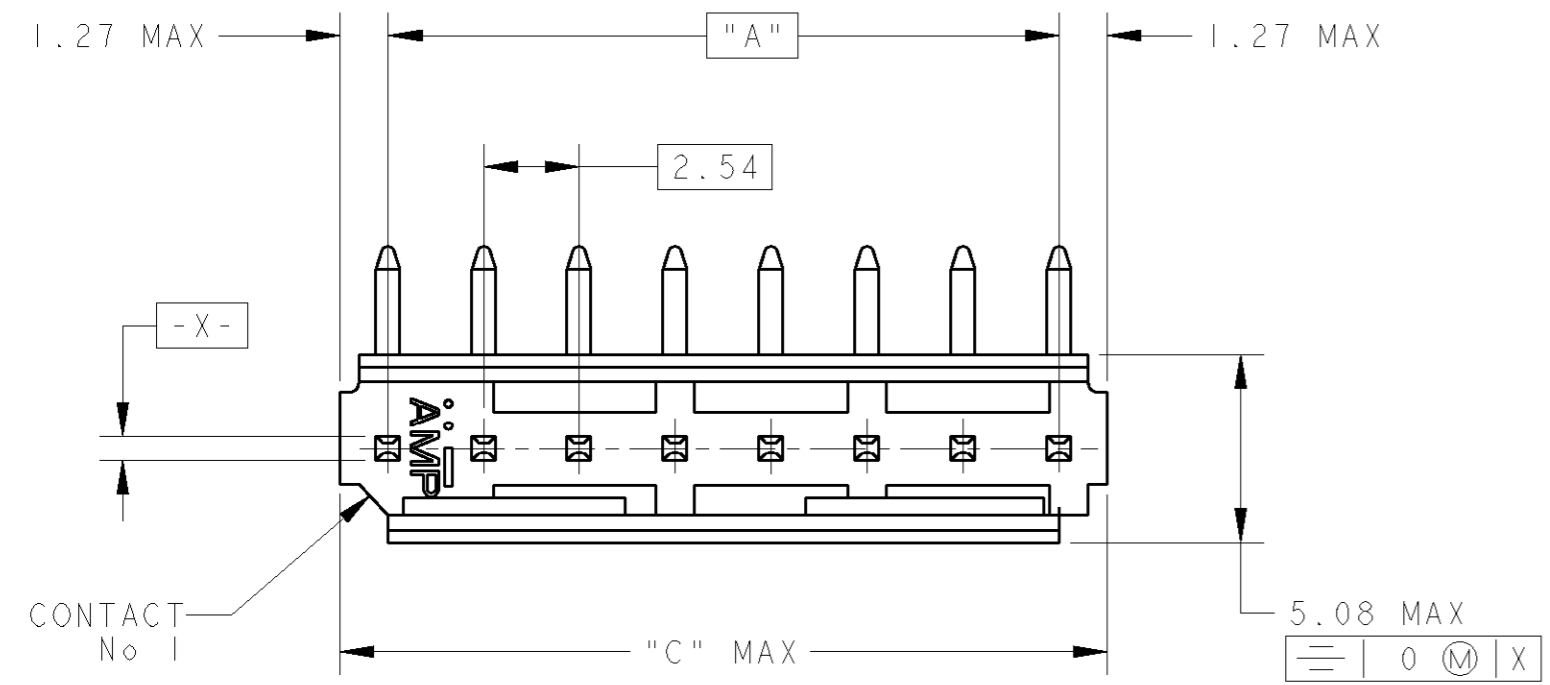


THIS DRAWING IS UNPUBLISHED.
 DIFFUSION RESTREINTE
 © COPYRIGHT 20 BY TYCO ELECTRONICS CORPORATION. ALL RIGHTS RESERVED.
 LIBRE A LA DIFFUSION
 TOUS DROITS RESERVES

LOC	DIST	REVISIONS					
F	7	P	LTR	DESCRIPTION MODIFICATIONS	DATE	DWN DESS.	APVD APP.
		E		CLARIFIE NOTE 3	12MAR2004	J.D	Y.P



SCALE 4:1



SCALE 3:1

45.72	43.18	18	1-281698-8 *
43.18	40.64	17	1-281698-7
38.10	35.56	15	1-281698-5 *
30.48	27.94	12	1-281698-2 *
25.40	22.86	10	1-281698-0 *
20.32	17.78	8	0-281698-8 *
17.78	15.24	7	0-281698-7
15.24	12.70	6	0-281698-6 *
12.70	10.16	5	0-281698-5 *
10.16	7.62	4	0-281698-4 *
7.62	5.08	3	0-281698-3 *
5.08	2.54	2	0-281698-2
C	A	Nb DE POS	PART NUMBER
DIMENSIONS			DIM "D" = 2.9

NOTES:

1. CES EMBASES SONT PREVUES POUR ETRE ACCOUPLEES AVEC LES FICHES "HE1402" SIMPLE RANGEE.
(These headers are designed to be mated with "HE1402" connectors single row)
2. LES REFERENCES SUIVIES D'UN * SONT LES VERSIONS NORMALISEES SELON LA NORME CEI 603-8
(The parts numbers followed by * are covered by the international standard IEC 603-8)
3. REVETEMENT DES CONTACTS: ETAIN PUR SUR NICKEL
(Contacts plating: lead free tin over nickel)
4. MATIERE PLASTIQUE: PBT CHARGE VERRE, UL-94V0
(Plastic material: glassfilled PBT, UL-94V0)
MATIERE DES CONTACTS: BRONZE PHOSPHOREUX
(Contacts material: phosphor bronze)

THIS DRAWING IS A CONTROLLED DOCUMENT FOR TYCO ELECTRONICS CORPORATION IT IS SUBJECT TO CHANGE AND THE CONTROLLING ENGINEERING ORGANIZATION SHOULD BE CONTACTED FOR THE LATEST REVISION. CE PLAN EST UN DOCUMENT CONTRÔLÉ PAR AMP INCORPORATED. IL EST SUSCEPTIBLE D'ÊTRE REVISÉ. CONTACTER LE SERVICE TECHNIQUE D'AMP DE FRANCE POUR OBTENIR LA DERNIÈRE RÉVISION.		DWN/DESSINE 22NOV2000 C. COMBEDOUZON CHK/VERIFIE 22NOV2000 I. CORRIOL APVD/APROUVE 22NOV2000 Y. PETRONIN	AMP DE FRANCE 95301 PONTOISE
DIMENSIONS: mm	TOLERANCES UNLESS OTHERWISE SPECIFIED: (SUIV NB DE DECIMALES) 0 PLC/DEC: ± 1 PLC/DEC: ±0.3 2 PLC/DEC: ± 3 PLC/DEC: ± 4 PLC/DEC: ± ANGLES: ±°	NAME TITRE HEADERS HE1402 SINGLE ROW, 90°	SIZE FORMAT A2
MATERIAL/MATIERE SEE/VOIR NOTE 4	FINISH/FINITION SEE/VOIR NOTE 3	PRODUCT SPEC SPEC. PRODUIT 108-15053	
CUSTOMER DRAWING /PLAN CLIENT		WEIGHT MASSE APPROX. -	SHEET OF FEUILLE DE
		UNIFORMITY POUR REFERENCE	REV E