

FEATURES AND SPECIFICATIONS

Features and Benefits

- Positive locking latches
- Fully polarized, color-coded right- (41644) and left- (41645) handed configurations
- Flared wire entry ports for double wire crimps
- Accepts standard and low force designs of 1508 Series terminals

Reference Information

Packaging: Bulk
 UL File No.: E29179
 CSA File No.: LR19980A
 Mates With: Industry timer housings
 Uses: 1508 terminals
 Designed In: Inches

Electrical

Voltage: 125V
 Current: 11.0A
 Contact Resistance: 10mΩ max.
 Dielectric Withstanding Voltage: 1500V AC
 Insulation Resistance: 1000 MΩ min.

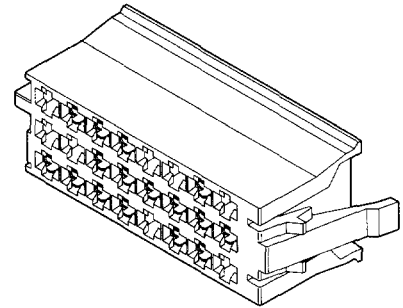
Mechanical

Contact Insertion Force: 1.5 lb max.
 Contact Retention to Housing: 20 lb min.
 Wire Pull-Out Force: 20 lb min.
 Mating Force: 3 lb max. per contact
 Unmating Force: 3 lb min. per contact
 Durability: 25 cycles

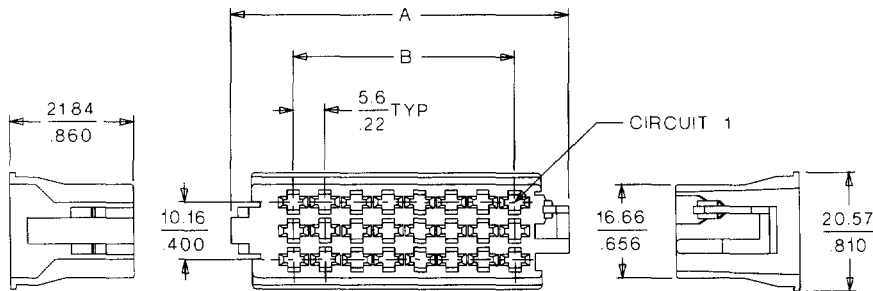
Physical

Housing: Nylon, UL 94V-2
 Temperature: 105°C max.

molex® 5.08 by 5.59mm (.200 by .220") Grid Specialty Receptacle Timer Receptacle Housing 41644/41645



Specialty Connectors



ORDERING INFORMATION AND DIMENSIONS

Circuits	Order No.		Terminal	Dimension	
	41644 Right Hand	41645 Left Hand		A	B
18	06-02-1186	06-02-1185	05-06-0113	40.40 (1.590)	27.90 (1.100)
24	06-02-1246	06-02-1245		51.60 (2.030)	39.10 (1.540)