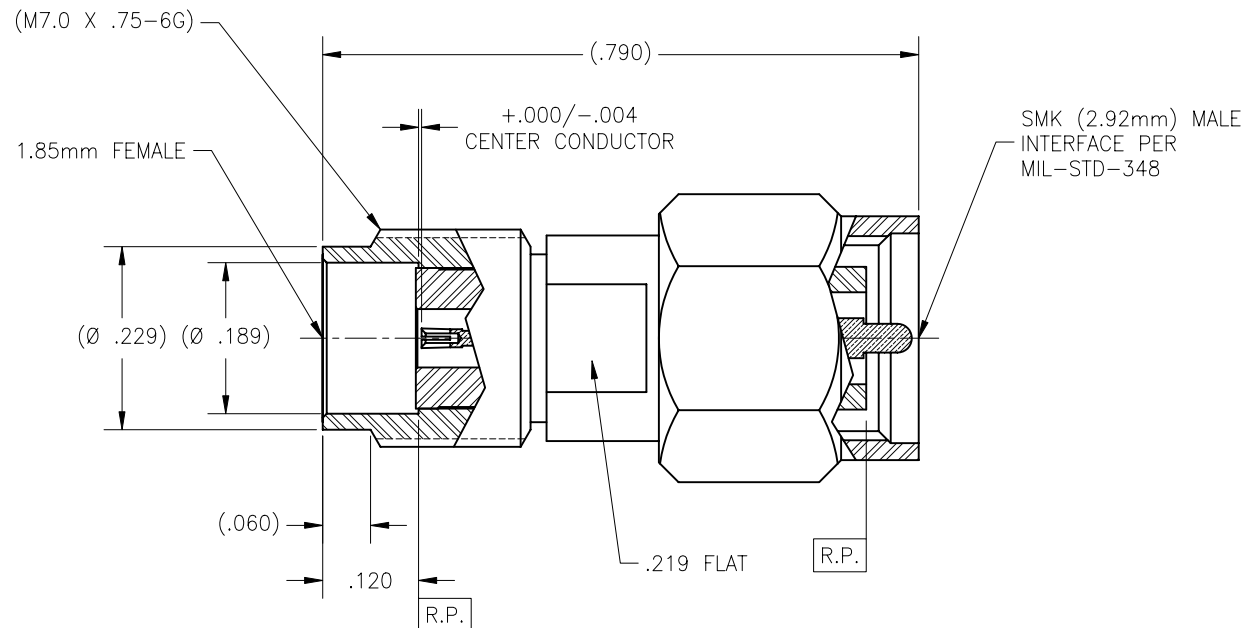


P/N	APPLICABLE NOTE(S)
CC	1,2,3
CCSF	1,2,3

REVISIONS				
ZONE	REV	DESCRIPTION	DATE	BY
-	-	-	-	-



DRAWING NO.	V204	REV.	-
-------------	------	------	---

NOTE(S):

1. MATERIAL(S):
 - 1.1 BODY & INSERT: 303 SST PER ASTM A-582.
 - 1.2 CENTER CONDUCTOR & RETAINING RING: BeCu ALLOY PER ASTM B-196.
 - 1.3 INSULATOR: PTFE TEFLON PER ASTM D-1710.
 - 1.4 EPOXY: SIGMA VF TYPE HV
 - 1.5 BEAD: HIGH PERFORMANCE APPLICATION.
2. FINISH(ES):
 - 2.1 BODY:
 - FOR (CCSF): PASSIVATED PER ASTM A-967.
 - FOR (CC): GOLD PLATE PER ASTM B-488 OVER NICKEL PLATE PER AMS-QQ-N-290.
 - 2.2 CENTER CONDUCTOR & INSERT: GOLD PLATE PER ASTM B-488 OVER NICKEL PLATE PER AMS-QQ-N-290.
 - 2.3 INSULATOR, BEAD AND EPOXY: NONE
3. ELECTRICAL PERFORMANCE(S):
 - 3.1 NOMINAL IMPEDANCE: 50 OHMS
 - 3.2 INSERTION LOSS IS 0.5dB, AT 40 GHz.
 - 3.3 VSWR: 1.3:1 dc-40 GHz

NOTICE
 THIS DRAWING EMBODIES A CONFIDENTIAL PROPRIETARY DESIGN ORIGINATED BY TENSOLITE COMPANY AND ALL DESIGN, MANUFACTURING REPRODUCTION, USE AND SALE RIGHTS REGARDING THE SAME ARE EXPRESSLY RESERVED. IT IS SUBMITTED UNDER A CONFIDENTIAL RELATIONSHIP FOR A SPECIFIED PURPOSE AND THE RECIPIENT AGREES BY ACCEPTING THIS DRAWING NOT TO SUPPLY OR DISCLOSE ANY INFORMATION REGARDING IT TO ANY UNAUTHORIZED PERSON OR TO INCORPORATE IN OTHER PRODUCTS ANY SPECIAL FEATURES PECULIAR TO THIS DESIGN. ALL PATENT RIGHTS HERETO ARE EXPRESSLY RESERVED BY TENSOLITE COMPANY, LONG BEACH, CALIFORNIA 90815

TOLERANCES AND NOTES EXCEPT AS NOTED
 DIMENSIONS ARE IN INCHES.
 LINEAR .XX ±.015 .XXX ±.005 ANGULAR ± 1/2° FRACTION ± 1/32

1. MACHINE FINISH: \sqrt{RMS}
2. BREAK ALL SHARP EDGES .003 MAX.
3. MACHINED FILLETS .005 MAX.
4. MACHINED SURFACES SQUARE TO RESPECTIVE AXIS WITHIN .005 INCHES PER INCH.
5. MACHINED DIAMETERS CONCENTRIC WITHIN .002 T.I.R.
6. DIMENSIONS TO BE MET BEFORE PLATING.
7. CHAMFER ALL THREADS 45°.
8. THREADS PER H-28
9. REMOVE FRAYED EDGES ON TEFLON.
10. REMOVE ALL BURRS.

-		-		-		-	
MATERIAL		SIZE		SPECIFICATION		PROCUREMENT	
NEXT ASSY		Tensolite RF/Microwave Connectors Long Beach, California 90815					
APPROVAL INITIALS		DATE		TITLE			
DRAWN BY: ATV		01.25.02		1.85 mm FEMALE STRAIGHT TO SMK (2.92 mm) MALE ADAPTER			
CHECKED				SCALE		SUB-DIRECTORY/FILENAME	
QUALITY				8/1		0L	
ENGINEERING: ATV		01.25.02		SIZE		CAGE CODE	
				C 30990		DRAWING NO. V204	
						REV. -	