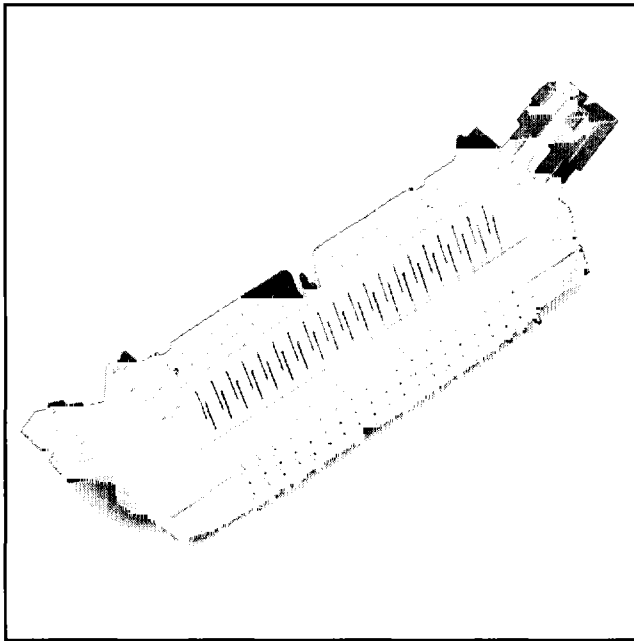


.100" x .100" "Condo" Header

Right Angle, 3 Wall/3 Wall, High Temp



87

- Stacked pins conserve space on the circuit board allowing higher density packaging
- Pin count to 128 gives design flexibility with latching
- "HDI" alternative
- Three wall fits in VME board stacking criteria
- Accepts standard IDC sockets
- Mates with standard flat cable harnesses
- High temperature

TS-0490-05
Sheet 1 of 3

Physical

Insulation

Material: Glass Filled Polyester (PCT)
Flammability: UL 94V-0
Color: Beige

Contact

Material: Phosphor Bronze (C510)
Plating
Underplate: 100 μ " [2.54 μ m] Nickel — QQ-N-290, Class 2
Wiping Area: 30 μ " [0.76 μ m] Gold — MIL-G-45204, Type II, Grade C
Solder Tails: 200 μ " [5.08 μ m] 60/40 Tin Lead — MIL-P-81728
Marking: 3M Logo, Part Identification Number and Orientation Triangle

Electrical

Current Rating: 1 A
Insulation Resistance: $>1 \times 10^9 \Omega$ at 500 Vdc
Withstanding Voltage: 1000 Vrms at Sea Level

Environmental

Temperature Rating: -55°C to $+105^\circ\text{C}$
Processing: Maximum 235°C , with 90 seconds over 215°C

UL File No.: E68080
CSA File No.: LR 40971

3M Electronic Products Division

6801 River Place Blvd.
Austin, TX 78726-9000

.100" x .100" "Condo" Header

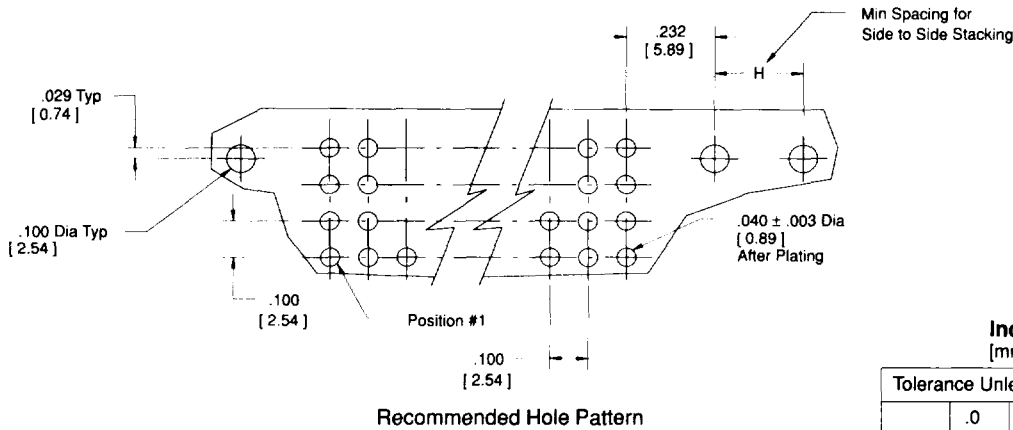
Right Angle, 3 Wall/3 Wall, High Temp

Sheet 2 of 3

Pin Qty	3M Part Number	Dimensions					Polarization Notches Provided
		A	B	C	D	H	
20	3446-D00X -D20X -D30X	1.28 [32.0]	.71 [18.0]	.86 [21.8]	2.00 [50.8] 2.18 [55.4]	.44 [11.2] 1.14 [29.0] 1.32 [33.5]	C
28	3314-D00X -D20X -D30X	1.46 [37.1]	.91 [23.1]	1.06 [26.9]	2.20 [55.9] 2.38 [60.5]	.44 [11.2] 1.14 [29.0] 1.32 [33.5]	B C
32	3408-D00X -D20X -D30X	1.56 [39.6]	1.01 [25.7]	1.16 [29.5]	2.30 [58.4] 2.48 [63.0]	.44 [11.2] 1.14 [29.0] 1.32 [33.5]	A B C
40	3428-D00X -D20X -D30X	1.76 [44.7]	1.21 [30.7]	1.36 [34.5]	2.50 [63.5] 2.68 [68.1]	.44 [11.2] 1.14 [29.0] 1.32 [33.5]	A B C
52	3429-D00X -D20X -D30X	2.06 [52.3]	1.51 [38.4]	1.66 [42.2]	2.80 [71.1] 2.98 [75.7]	.44 [11.2] 1.14 [29.0] 1.32 [33.5]	A B C
68	3431-D00X -D20X -D30X	2.46 [62.5]	1.91 [48.5]	2.06 [52.3]	3.20 [81.3] 3.38 [85.9]	.44 [11.2] 1.14 [29.0] 1.32 [33.5]	A B C
80	3432-D00X -D20X -D30X	2.76 [70.1]	2.21 [56.1]	2.36 [59.9]	3.50 [88.9] 3.68 [93.5]	.44 [11.2] 1.14 [29.0] 1.32 [33.5]	A B C
100	3433-D00X -D20X -D30X	3.26 [82.8]	2.71 [68.8]	2.86 [72.6]	4.00 [101.6] 4.18 [106.2]	.44 [11.2] 1.14 [29.0] 1.32 [33.5]	A B C
120	3372-D00X -D20X -D30X	3.76 [95.5]	3.21 [81.5]	3.36 [85.3]	4.50 [114.3] 4.68 [118.9]	.44 [11.2] 1.14 [29.0] 1.32 [33.5]	A B C
128	3764-D00X -D20X -D30X	3.96 [100.6]	3.41 [86.6]	3.56 [90.4]	4.70 [119.4] 4.88 [124.0]	.44 [11.2] 1.14 [29.0] 1.32 [33.5]	A B C

3M PART NO. SUFFIX	CONTACT TAIL	DIM. E
-DX02	2	.112 ± .010 [2.84]
-DX03*	3	.155 ± .010 [3.94]

TS-0490-05



Tolerance Unless Noted			
	.0	.00	.000
Inch	± .1	± .01	± .005
[] Dimensions for Reference Only			

Notes:

- Notches A & C will accommodate 3M polarizing keys (3M Part Number N3518).

Ordering Information

N XXXX-DX0X

3M Part Number

- Ejector/Latch System
- 0 = No Ejector Latch
 - 2 = Short Ejector/Latch (When Non-strain Relief Socket is used)
 - 3 = Long Ejector/Latch (When Socket with Strain Relief is used)

Contact Tail

- 2 = Solder Tails for .062 [1.57] Thick Board.
- 3 = Solder Tails for .094 to .125 [2.39 to 3.18] Thick Board.
- *(Standard Product)

3M Electronic Products Division

6801 River Place Blvd.
Austin, TX 78726-9000

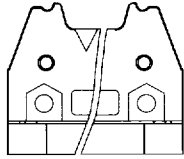
.100" x .100" "Condo" Header

Right Angle, 3 Wall/3 Wall, High Temp

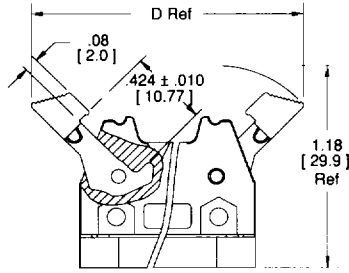
Sheet 3 of 3

TS-0490-05

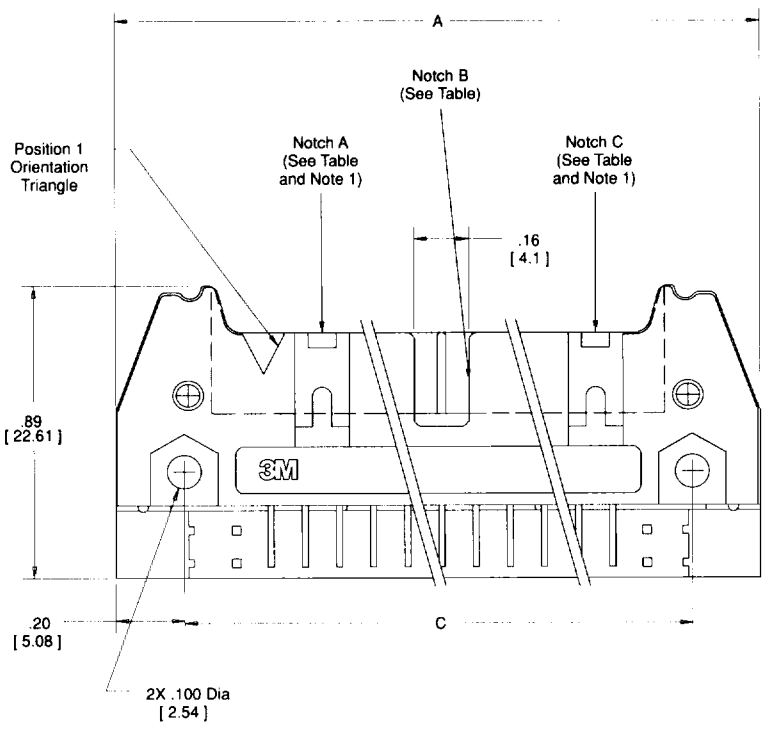
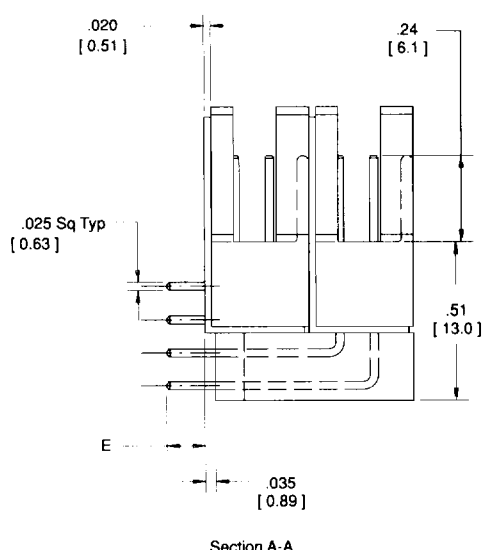
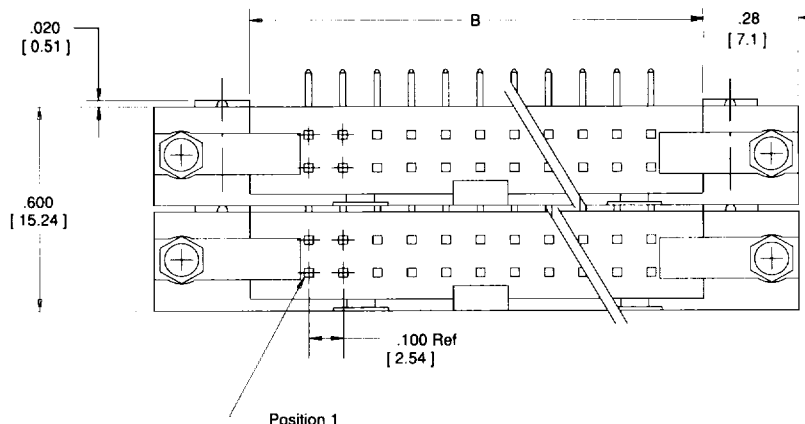
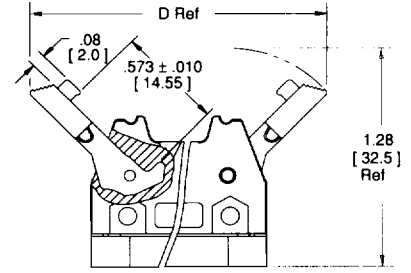
-D00X
Header With
No Ejector/Latch



-D20X
Header With
Short Ejector/Latch
(3M Part No. N3505-2)
for 3M Sockets Without
Strain Relief



-D30X
Header With
Long Ejector/Latch
(3M Part No. N3505-3)
for 3M Sockets With
Strain Relief



3M Electronic Products Division

6801 River Place Blvd.
Austin, TX 78726-9000