

**SPECIFICATIONS**

**Mechanical**

**Contact Retention Force:** 250 gf Min.  
**Mating Force:** 100 gf Max. Per Contact Pair  
**Unmating Force:** 15 gf Min. Per Contact Pair  
**Durability:** 500 Cycles

**Electrical**

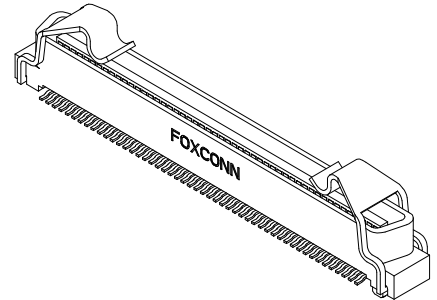
**Voltage Rating:** 250V  
**Current Rating:** 3.0Amps Max In Temp. Rise.  
**Contact Resistance:** 30mΩ max.  
**Dielectric Withstanding Voltage:** 300V AC  
**Insulation Resistance:** 1000MΩ Min.

**Physical**

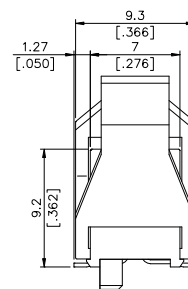
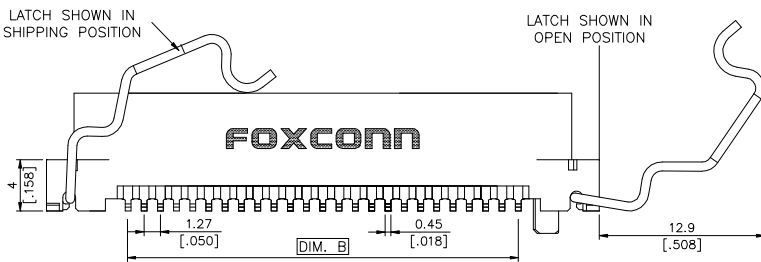
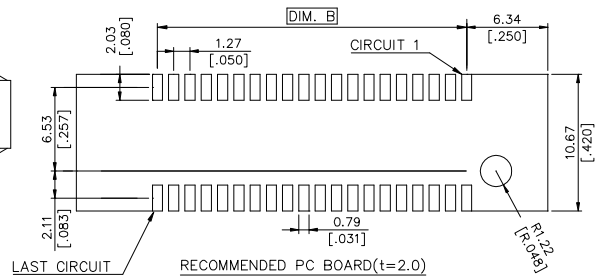
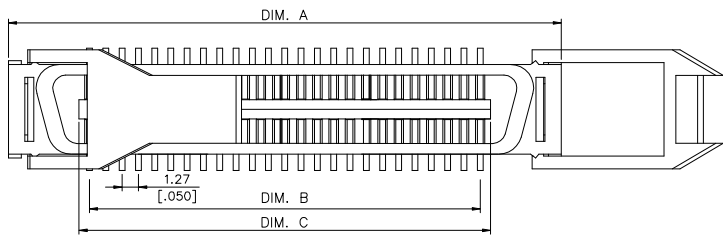
**Housing:** Thermoplastic, UL 94V-0 rated in Black Color  
**Contact:** Phosphor Bronze  
**Plating:** See "ORDERING INFORMATION"  
**Metal Hold Down:** Phosphor Bronze  
**Operating Temperature:** -55°C to +105°C

**FBI Connector**

**LZ12 Series**  
**Vertical, SMT Type**  
**Plug**  
**1.27mm [.050"] Pitch**



**DRAWING**



**ORDERING INFORMATION**

PRODUCT NO. : LZ12 \* \* \* - \* \* \* \*

25: 50 POS.  
 30: 60 POS.  
 34: 68 POS.  
 40: 80 POS.  
 50: 100 POS.

MATING AREA PLATING:  
 H: 30u" GOLD PLATING

B12: WITH BOARD LOCK  
 B12N: WITHOUT BOARD LOCK  
 L12N: WITH LATCH

R: WITH COVER AND TAPE&REEL PACKAGING  
 T: WITH COVER AND TRAY PACKAGING  
 NONE: WITHOUT COVER AND TRAY PACKAGING

P: HOUSING MATERIAL PA9T  
 NONE: HOUSING MATERIAL LCP

|               |        |     |        |        |        |
|---------------|--------|-----|--------|--------|--------|
| LZ1250*-L12NP | 50/100 | 100 | 74.90  | 62.23  | 63.87  |
| LZ1240*-L12NP | 40/80  | 80  | 62.20  | 49.53  | 51.17  |
| LZ1234*-L12NP | 34/68  | 68  | 54.58  | 41.91  | 43.55  |
| LZ1230*-L12NP | 30/60  | 60  | 49.50  | 36.83  | 38.47  |
| LZ1225*-L12NP | 25/50  | 50  | 43.15  | 30.48  | 32.12  |
| P/N           | POS.   | N   | DIM. A | DIM. B | DIM. C |