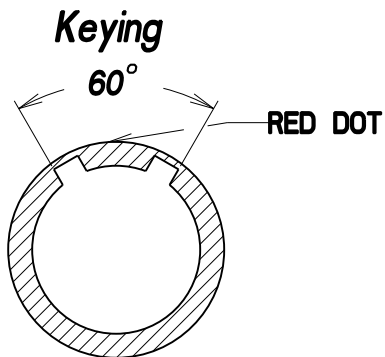


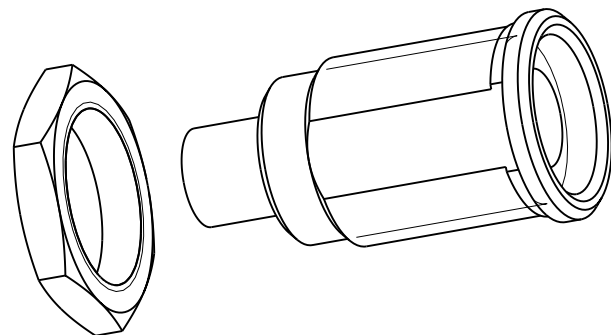
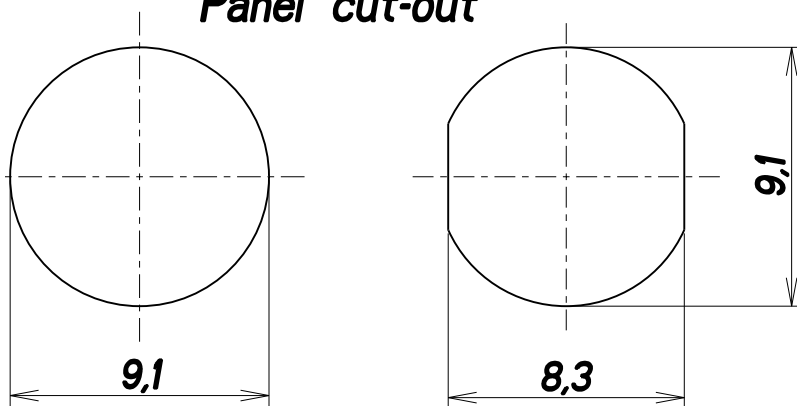
Insulator
Viewed from wiring side



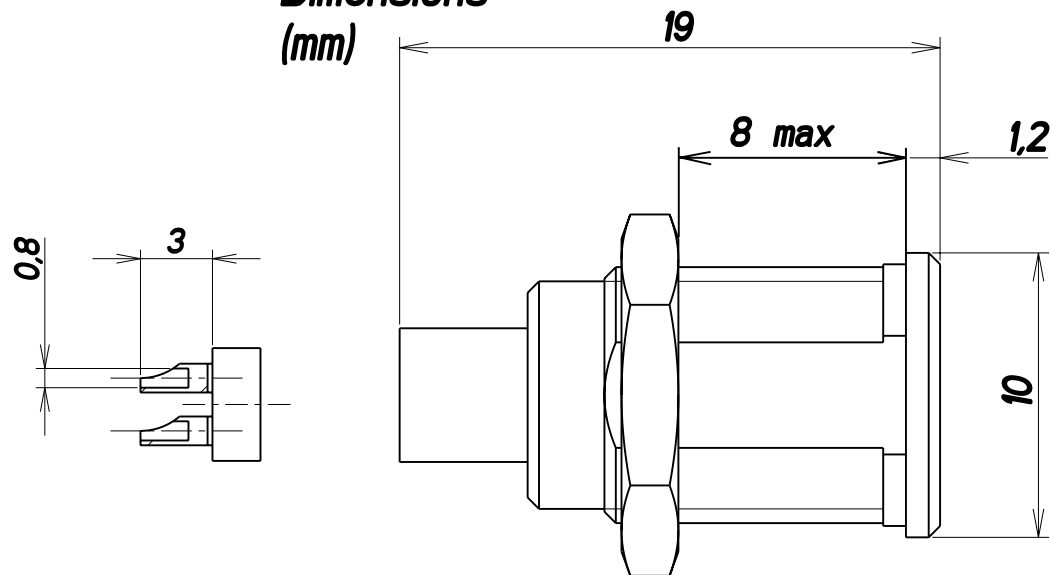
2 sockets x 0.9 mm



Panel cut-out



Dimensions
(mm)



FIXED RECEPTACLE size 0

REV	ECN NUMBER	xxx mm-dd-yy BY DATE	xxx mm-dd-yy CHKD DATE
REVISION			

DRAWING TITLE
FIXED RECEPTACLE SIZE 0

CAT NO. **JBX - ER - OB - 02 - FS - SDSR**

DWG RELEASED TO CENTRAL FILE: 06/15/01
CAGE NO: --- DON: 1638 SIZE: A



SYMBOLS INDICATE CLASSIFICATION PER SPECIFICATION D313

THE SYMBOL DENOTES INDICATORS FOR STATISTICAL PROCESS CONTROL REQUIREMENTS PER SPECIFICATION D735

APPROVAL	DRAWN: CEJ	05/30/01
	CHKD: DAF	05/30/01
	DSGN: DAF	05/30/01
	MFG: EAP	05/30/01
	QC: AGP	05/30/01

DRAWING SCALE: DRAWING SCALE
DRAWING NO. REV

JBX-ER-OB-02-FS-SDSR 0

LINEAR MEASURE: mm [INCH]	
THIRD ANGLE PROJECTION	
TOLERANCES UNLESS OTHERWISE SPECIFIED	
No. OF PLACES	INCH [mm]
ONE PLACE	±.1 [±3]
TWO PLACES	±0.02 [±.5]
THREE PLACES	±0.005 [±.13]
ANGLES ±1°	

Tous droits strictement reserves. Reproduction ou communication a des tiers interdite sous quelque forme que ce soit sans autorisation écrite du propriétaire. Propriété de c FCI. Droits de reproduction FCI.

All rights strictly reserved. Reproduction or issue to third parties in any form whatever is not permitted without written authority from the proprietor. Property of FCI. Copyright FCI.