

Customer Information Sheet

DRAWING No.: H05-200XX

SHEET 2 OF 2

IF IN DOUBT - ASK

©

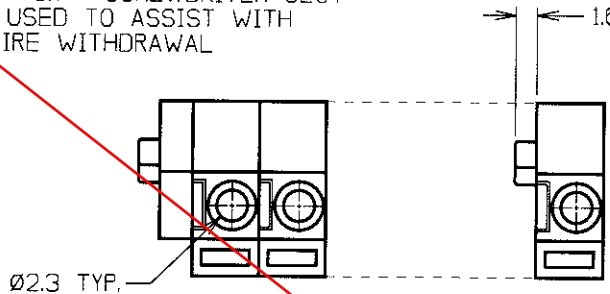
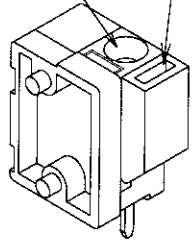
NOT TO SCALE

THIRD ANGLE PROJECTION

ALL DIMENSIONS IN mm

WIRE INLET 14-18 AWG

RELEASE BUTTON - SCREWDRIVER SLOT
CAN BE USED TO ASSIST WITH
WIRE WITHDRAWAL



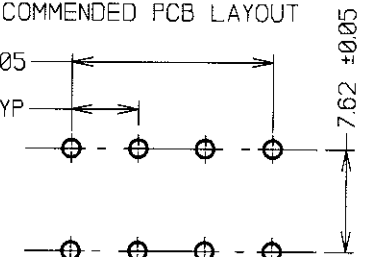
SPECIFICATIONS:

MATERIAL:
 CONTACT - BRASS
 BODY - THERMOPLASTIC UL94V-0, GREEN
 LEVER - THERMOPLASTIC UL94V-0, ORANGE
FINISH:
 CONTACT - TIN/STAINLESS STEEL
ELECTRICAL:
 CURRENT RATING = 15A
 VOLTAGE RATING = 300V AC
 VOLTAGE PROOF = 2kV AC
 INSULATION RESISTANCE = 500 MEGOHMS MIN (AT 500V DC)
MECHANICAL:
 WIRE RETENTION FORCE = 5Kg MINIMUM
ENVIRONMENTAL:
 OPERATING TEMPERATURE = -55°C TO +105°C

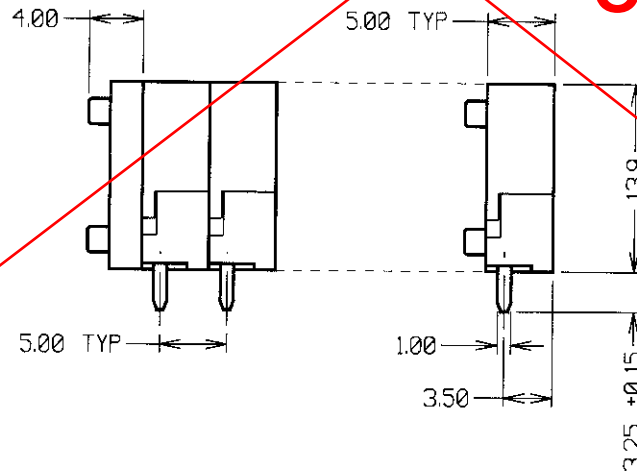
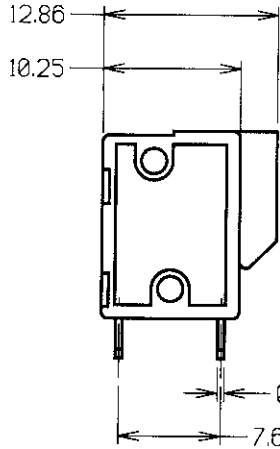
RECOMMENDED PCB LAYOUT

5.00 x No. OF PITCHES PER ROW ±0.05

5.00 ±0.05 TYP



OBSOLETE



ORDER CODE:

H05-200XX

No. OF WIRE
INLETS
01 TO 36

| | | | |
|------------------------------|------|----------|--------|
| JAE | 8 | 24.10.03 | 7688 |
| NAME | ISS. | DATE | C/NOTE |
| APPROVED: <i>[Signature]</i> | | | |
| CHECKED: <i>[Signature]</i> | | | |
| DRAWN: P. D COLLINS | | | |
| CUSTOMER REF.: | | | |
| ASSEMBLY DRG: | | | |

HARWIN

THIS DRAWING AND ANY INFORMATION OR DESCRIPTIVE MATTER SET OUT HEREON ARE CONFIDENTIAL AND COPYRIGHT PROPERTY OF THE HARWIN GROUP AND MUST NOT BE DISCLOSED, LOANED, COPIED OR USED FOR MANUFACTURING, TENDERING OR FOR ANY OTHER PURPOSE WITHOUT THEIR WRITTEN PERMISSION.

TOLERANCES

X. = ±1mm
 X.X = ±0.25mm
 X.XX = ±0.10mm
 X.XXX = ±0.01mm
 ANGLES = ±5°
 UNLESS STATED

MATERIAL:

SEE ABOVE

FINISH: SEE ABOVE

S/AREA:

mm²

TITLE:

SCREWLESS TERMINAL BLOCK
(TOP ENTRY)

DRAWING NUMBER:

H05-200XX

HARWIN INC
U.S.A.
TEL: (812) 542 2546
FAX: (812) 542 2541

HARWIN PLC
U.K.
TEL: 023 9237 0451
FAX: 023 9231 4590

HARWIN PTE
SINGAPORE
TEL: 65 6779 4909
FAX: 65 6779 3868

SHT
2
OF
2