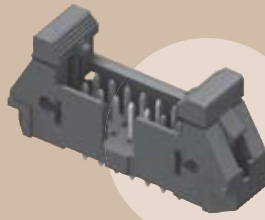


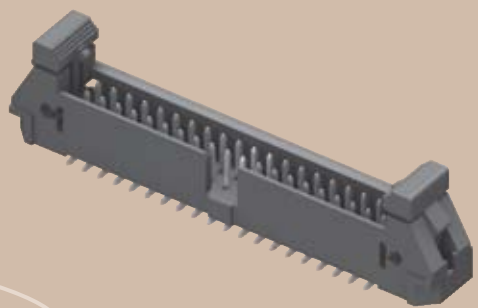
(2,54mm) .100"

EJH SERIES

EJH-107-01-F-D-TH



EJH-120-01-L-D-SM



SHROUDED IDC EJECTOR HEADERS

SPECIFICATIONS

For complete specifications and recommended PCB layouts see www.samtec.com?EJH

Insulator Material:
Liquid Crystal Polymer



Terminal Material:
Phosphor Bronze

Plating:
Sn or Au over 50µ" (1,27µm) Ni

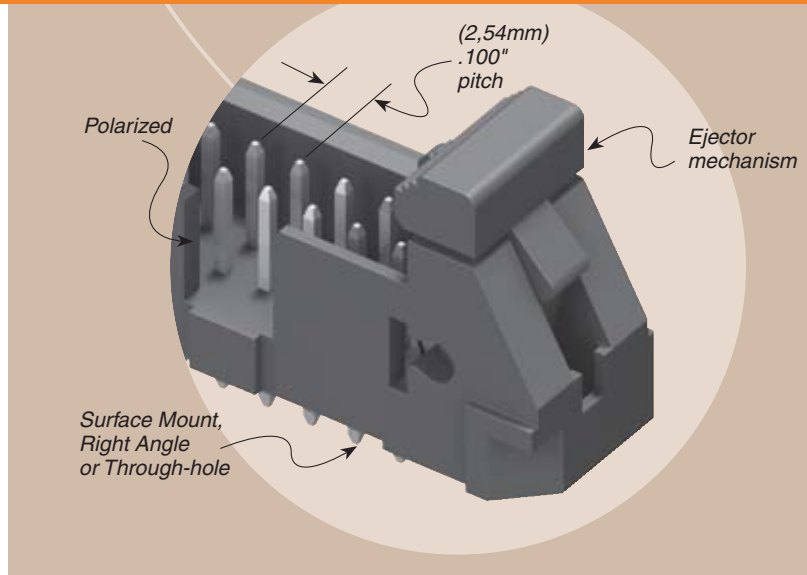
Current Rating:
3A @ 80°C ambient

Operating Temp Range:
-55°C to +125°C

RoHS Compliant:
Yes

Processing:
Lead-Free Solderable:
Yes
SMT Lead Coplanarity:
(0,10mm) .004" max

Mates with:
IDSD



APPLICATION SPECIFIC OPTION

-02 lead style
Call Samtec.
Mates to HCSD Series.
See www.samtec.com?HCSD for more information.

EJH	1	NO. PINS PER ROW	01	PLATING OPTION	D	TAIL OPTION	OTHER OPTION
------------	----------	-------------------------	-----------	-----------------------	----------	--------------------	---------------------

05, 07, 08, 10, 13, 15, 17, 20, 25
(Call Samtec for other sizes.)

-F
= Gold flash on post, Matte Tin on tail

-L
= 10µ" (0,25µm) Gold on post, Matte Tin on tail

-SM
= Surface Mount

-TH
= Through-hole

-RA
= Right Angle

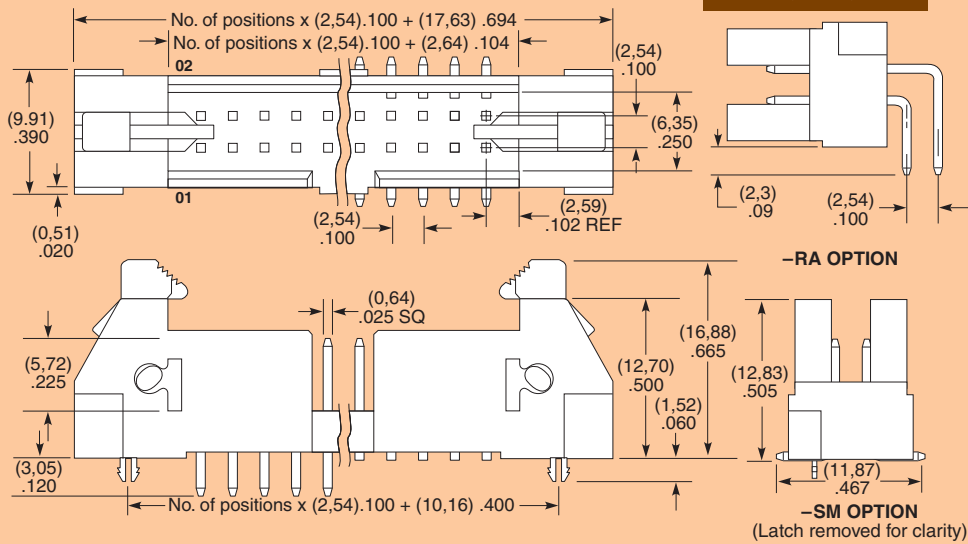
-XX
= Polarized Position

-LC
= Locking Clip (-SM only) (Manual placement required)

-K
= .475" (12,00) DIA Polyimide Film Pick & Place Pad (-SM only)

-P
= Pick & Place Pad (-SM only)

-TR
= Tape & Reel Packaging (-SM only) 25 position not available



Note: Other Gold plating options available. Contact Samtec.

Note: Some lengths, styles and options are non-standard, non-returnable.

Due to technical progress, all designs, specifications and components are subject to change without notice.

WWW.SAMTEC.COM