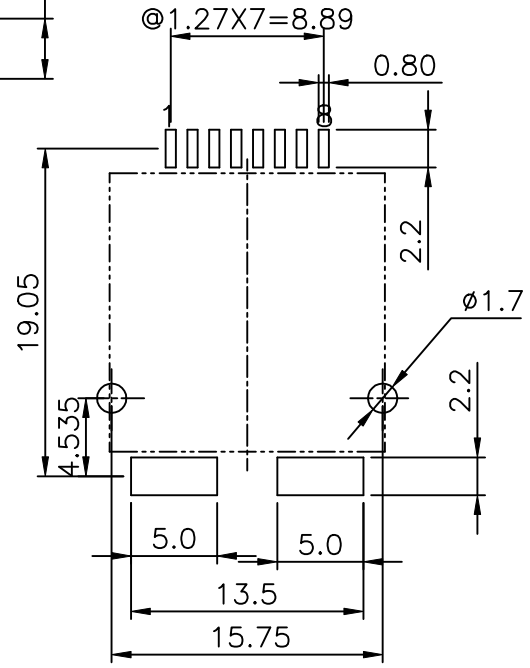
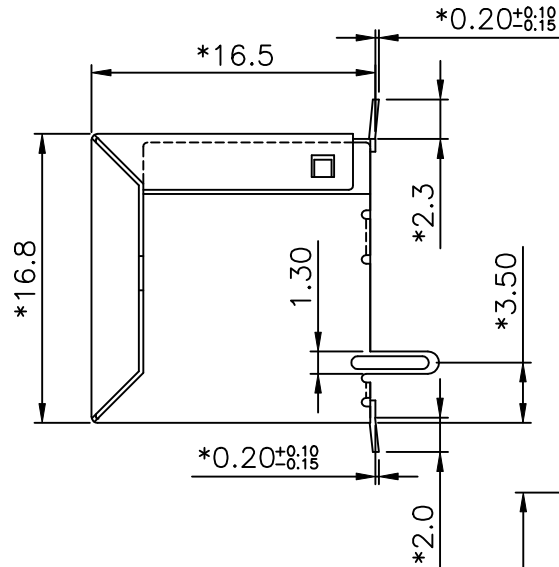
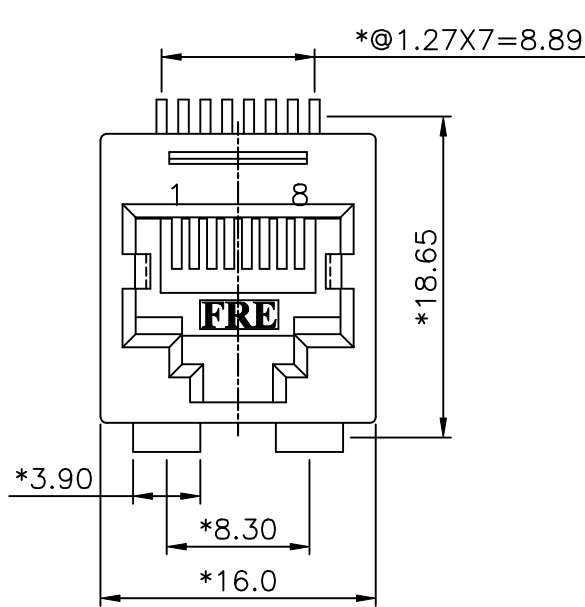


REVISION RECORD				
REV	ECO	DESCRIPTION	DRFT	CHKD
△		ADD P/N	SAMMY 07/02/04	
△		NOTES MODIFY	Among 10/29/04	



PCB LAYOUT (COMPONENT SIDE VIEW)

**NOTES:**

ELECTRICAL:

1. VOLTAGE RATING : 125 VAC RMS.
2. CURRENT RATING : 1.5 AMP.
3. CONTACT RESISTANCE : 45 MILLIOHMS MAX.
4. INSULATION RESISTANCE: 1000 MEGOHMS MIN @ 500 VDC.
5. DIELECTRIC STRENGTH : 1000 VAC RMS 60Hz, 1MIN.

MECHANICAL:

1. HOUSING MATERIAL : HIGH TEMP. UL94V-0.
2. CONTACT MATERIAL : PHOSPHOR BRONZE t=0.35mm.
- △ 3. PLATING : GOLD PLATING OVER NICKEL.
4. OPERATING LIFE : 750 CYCLES MIN.
5. PCB RETENTION POST-SOLDER: 10 LBS MIN.

ENVIRONMENTAL:

1. STORAGE : -40°C TO +85°C.
- △ 2. OPERATION: -40°C TO +85°C.

MATES WITH MODULAR PLUG CONFORMING TO FCC PART 68, SUBPART F.

CUL FILE NO. E163191

PART NUMBER: E528X-XXVBBX



3-W/ FRE LOGO      S-TIN  
R-W/O FRE LOGO    T-NICKEL △

DETACHED LISTS	MM (INCH)		DFTD Syngie	DATE 12/16/2003	<b>FULL RISE ELECTRONIC CO., LTD</b>  TITLE (IMPROVED TYPE) <b>TOP ENTRY JACK 8P SMD</b>
	TOLERANCES EXCEPT AS NOTED		CHKD SAMMY	DATE 2004/11/17	
			MFO	DATE	
			APPVLLUSHENG	DATE 2004/11/17	
.0 ± 0.2		±	MATERIAL :		
.00 ± 0.15		±	QTY :		
.000 ± 0.075		±	FINISH :		
ANGLES ± 0.5		THIRD ANGLE PROJECTION		SCALE :	
			DO NOT SCALE DRAWING	SHEET OF	
			SIZE A3	REV 2	