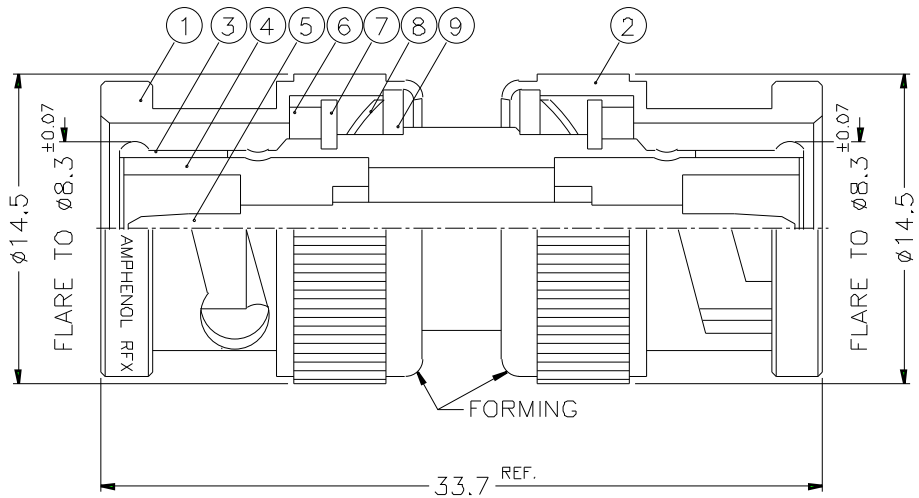


		1		2		3		4		5		6		7		8	
		REVISIONS															
ISS	ZONE	DESCRIPTION\PER REQUEST\DATE															



NOTES: FINISH (PLATING THICKNESS IN MICRO-INCHES)  
 1. BRASS PER QQ-B-626  
 2. BRASS PER QQ-B-613  
 3. NICKEL PL. 100 MIN. THICK OVER COPPER STRIKE  
 4. NICKEL PL. 200 MIN. THICK OVER COPPER STRIKE  
 5. NICKEL PL. 100 MIN. THICK OVER COPPER PL. 300 MIN. THICK  
 6. GOLD PL. 3 MIN. THICK OVER NICKEL PL. 100 MIN. THICK  
 OVER COPPER STRIKE  
 7. ZINC DIECAST

9	WASHER	NOTE 2	NOTE 3	2	WS-128/9X08
8	SPRING	SK5	NOTE 4	2	B50000-6
7	RETAINER RING	NOTE 1	NOTE 3	2	B50000-5
6	GASKET	RUBBER	RED	2	GS-115/8X15
5	CONTACT PIN	NOTE 1	NOTE 6	1	B5900-5
4	INSULATOR	DELRIN	NATURAL	2	B50002-3-50
3	BODY	NOTE 1	NOTE 3	1	B5900-2
2	SHELL	NOTE 7	NOTE 5	1	B50000Z-1
1	SHELL	NOTE 7	NOTE 5	1	B50000Z-1-RFX
NO.	DESCRIPTION	MATERIAL	FINISH	Q'TY	DRAWING NO.

DIMENSIONS ARE IN MILLIMETERS  
 UNLESS OTHERWISE SPECIFIED TOLERANCES  
 0.5-6 = ±0.2  
 6-30 = ±0.4  
 30-120 = ±0.6  
 120-315 = ±1  
 315-1000 = ±1.6  
 1000-2000 = ±2.4

PART NO.	B2071B2-002-ND3G-50	
APPROVED	DATE	10-11-01'
CHECKED	DATE	10-11-01'
DRAWN	DATE	10-11-01'
FILE NO.		

<b>Amphenol</b>	
TITLE	BNC MALE TO BNC MALE ADAPTOR
DRAWING NO.	KJ-B2071B2-002-ND3G-50
ITEM NO.	

		1		2		3		4		5		6		7		8	
--	--	---	--	---	--	---	--	---	--	---	--	---	--	---	--	---	--