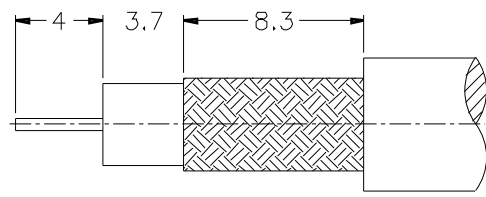
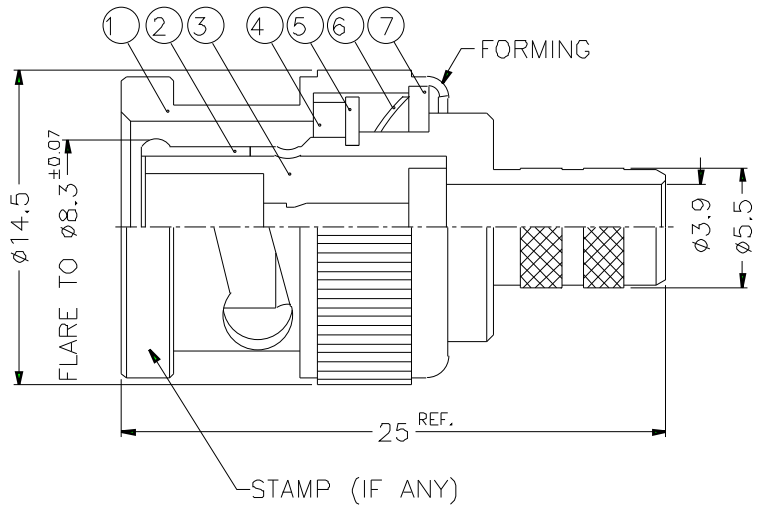
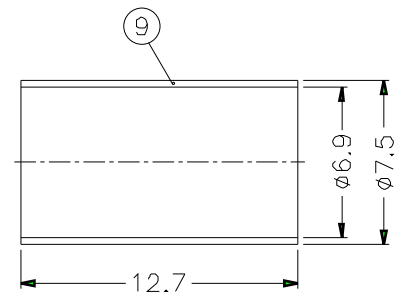
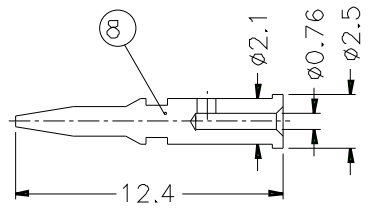


1	2		3	4	5	6	7	8
REVISIONS								
ISS	ZONE	DESCRIPTION\PER REQUEST\DATE						



RECOMMENDED  
CABLE STRIPPING DIM'S



NOTES: FINISH (PLATING THICKNESS IN MICRO-INCHES)  
 1. BRASS PER QQ-B-626  
 2. BRASS PER QQ-B-613  
 3. NICKEL PL. 100 MIN. THICK OVER COPPER STRIKE  
 4. NICKEL PL. 200 MIN. THICK OVER COPPER STRIKE  
 5. GOLD PL. 3 MIN. THICK OVER NICKEL PL. 100 MIN. THICK OVER COPPER STRIKE  
 6. JIS H 3250, C 2700

1. CRIMPED FERRULE  
HEX CRIMP SIZE .255"  
 2. CRIMPED CONTACT PIN  
HEX CRIMP SIZE .068"

9	FERRULE	NOTE 6	NOTE 3	1	FR-75/69X127
8	CONTACT PIN	NOTE 1	NOTE 5	1	B50000-8-25/076
7	WASHER	NOTE 2	NOTE 3	1	WS-128/9X08
6	SPRING	SK5	NOTE 4	1	B50000-6
5	RETAINER RING	NOTE 1	NOTE 3	1	B50000-5
4	GASKET	RUBBER	RED	1	GS-115/8X15
3	INSULATOR	DELTRIN	NATURAL	1	B50000-3-50-A
2	BODY	NOTE 1	NOTE 3	1	B50000-2-55/39
1	SHELL	NOTE 1	NOTE 3	1	B50000-1-B
NO.	DESCRIPTION	MATERIAL	FINISH	Q'TY	DRAWING NO.

DIMENSIONS ARE IN MILLIMETERS  
 UNLESS OTHERWISE SPECIFIED  
 TOLERANCES  
 0.5-6 = ±0.2  
 6-30 = ±0.4  
 30-120 = ±0.6  
 120-315 = ±1  
 315-1000 = ±1.6  
 1000-2000 = ±2.4

PART NO.	B1121A1-006-ND3G-50	
APPROVED	DATE	10-11-01'
CHECKED	DATE	10-11-01'
DRAWN	DATE	10-11-01'
FILE NO.		

**Amphenol**

TITLE BNC CRIMP PLUG  
(FOR PSF1/3M CABLE)

DRAWING NO.      ITEM NO.

1	2		3	4	5	6	7	8
---	---	--	---	---	---	---	---	---