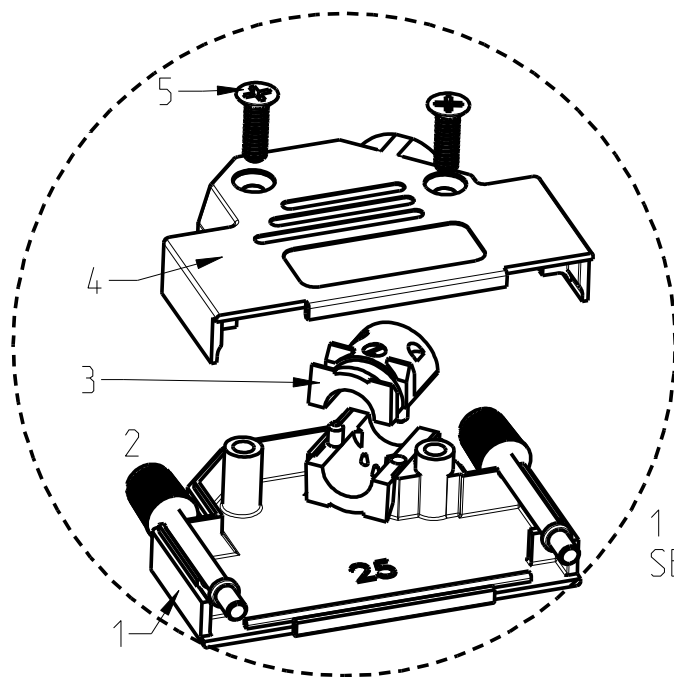
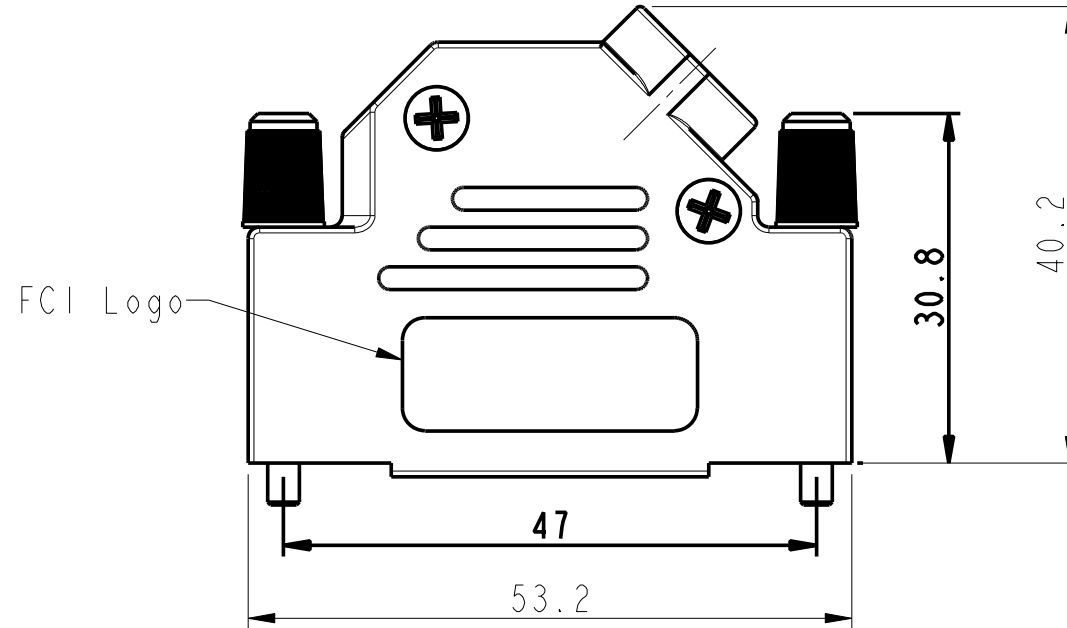
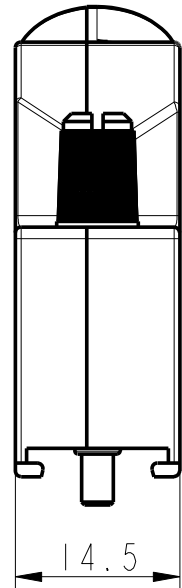
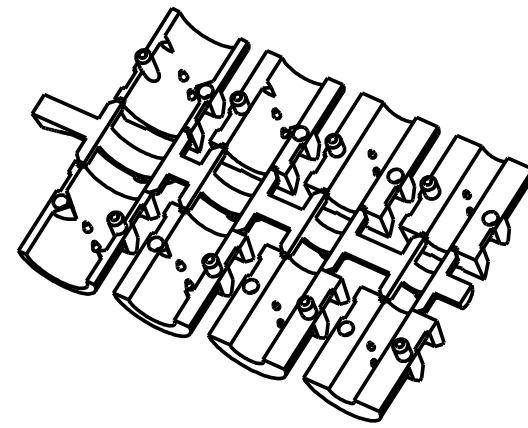


SIZE	Part Num.	Threading	Headscrew	Packaging(see notes1&2)
25	8655MHRA2501LF	UNC 4.40	Black	BULK (see note 1)
	8655MHRA2501KLF	UNC 4.40	Black	KIT (see note 2)
	8655MHRA2502LF	M3	Grey	BULK
	8655MHRA2502KLF	M3	Grey	KIT
	8655MHRA2503LF	M2.6	Grey	BULK



1 KIT  
SEE NOTE 2



NOTES:

Material and finish: Zinc die-cast  
Nickel plated

Cable strain relief: Polycarbonate (UL94V-0)

Jackscrews:

- Headscrew : plastic, colour according threading
- Body : metal, threading according tables

Temperature range: -40°C to 120°C  
Cable diameter: 4,0 to 13,0mm  
Attenuation factor: >40 dB between 30MHz and 1 GHz  
Marking FCI logo: Height 6 mm for all versions

Covers screwing force (max): 100 Ncm  
Jackscrew screwing force (max): 75 Ncm

Packaging notes (see tables):

- 1 - Bulk : Every spare part packaged per 100 or 200 into plastic bag. 5 plastic bags per carton box. 1 plastic bag per part.
- 2 - Kit : 1 set of spare parts necessary to realise 1 kit into a plastic bag. 100 plastic bags per carton box.

NOTE:RoHS INFORMATIONS

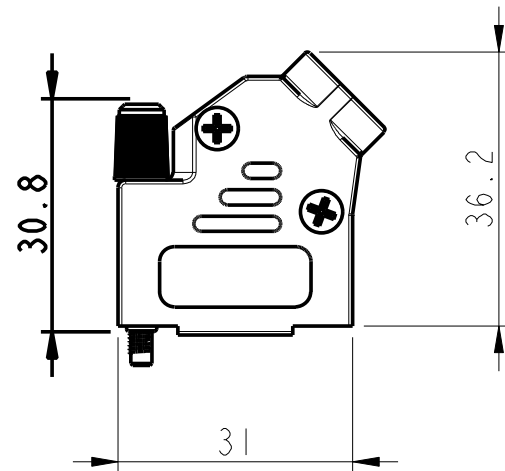
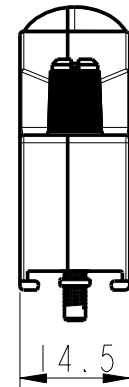
- The "LF" product meets European union Directives and other country regulations as described in GS-22-008.
- The product is not intended to be exposed to a manufacturing solder process.
- Packaging spec: see GS-14-920.

DESIGNATION	REP.	09	15	25	37	50
COVER BOTTOM	1			1		
JACKSCREW	2	1		2		
STRAIN RELIEF	3			2		
COVER TOP	4			1		
SCREW POZIDRIVE	5			2		

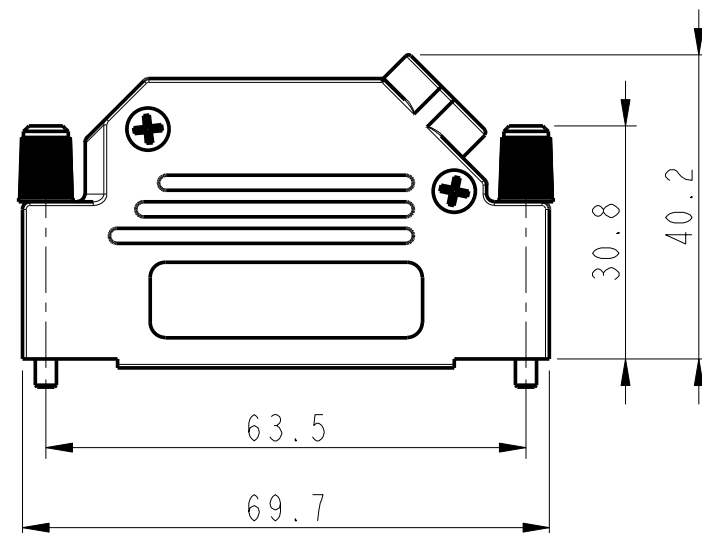
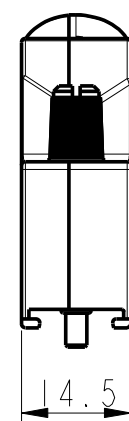
rev	ecn no	dr	date
H	F11-0046	APA	2011/04/05
J	F11-0073	APA	2011/06/17
K	F12-0045	GPE	2012/04/12
E	F09-0236	LSA	2009/12/22
F	F10-0093	APA	2010/08/31
G	F10-0213	LSA	2010/19/15

www.fciconnect.com		surface ISO 1302	tolerance std ISO 406 ISO 1101	projection	mm
		TOLERANCES UNLESS OTHERWISE SPECIFIED			
Dr	BART.S	2005/10/15	ANGULAR	0.X	±/
Eng	LENOIR.M	2005/10/15	LINEAR	0.XX	±/
Chr	LEGARE.P	2005/10/15	0° ±//°	0.XXX	±/
Appr	LEGARE.P	2005/10/15	Product family	D-Sub	Spec ref
		Title		D-SUB METAL SHELLS	
		ANGLED		10061512C	
catalog no				Rev. K	

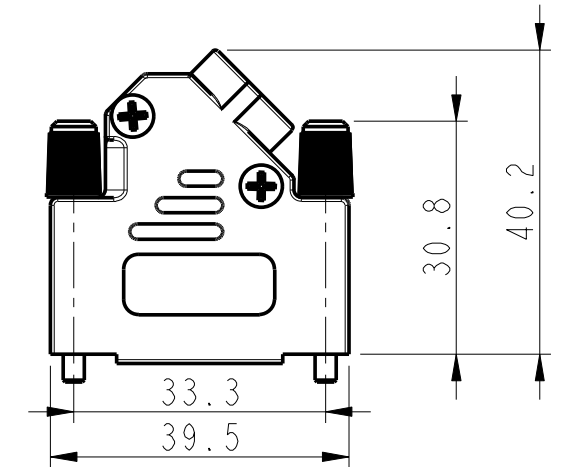
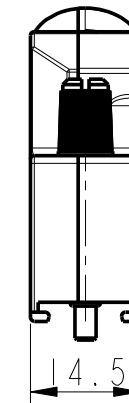
SIZE	Part Num.	Threading	Headscrew	Packaging
09	8655MHRA0901LF	UNC 4.40	Black	BULK (see note 1)
	8655MHRA0901KLF	UNC 4.40	Black	KIT (see note 2)
	8655MHRA0902LF	M3	Grey	BULK
	8655MHRA0902KLF	M3	Grey	KIT
	8655MHRA0903LF	M2.6	Grey	BULK



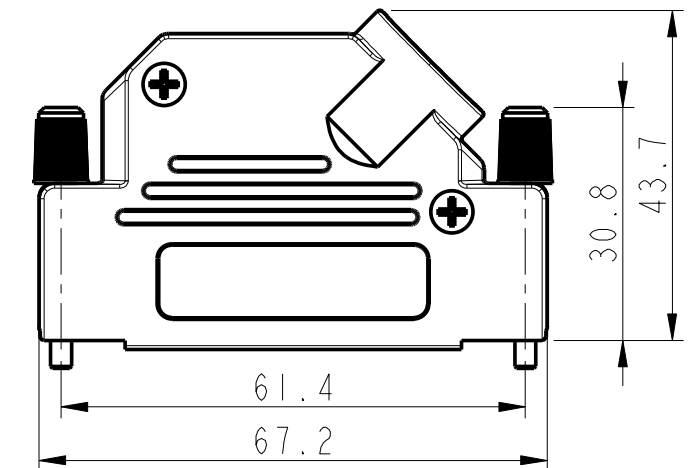
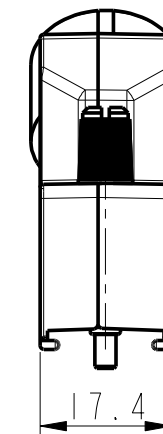
SIZE	Part Num.	Threading	Headscrew	Packaging
37	8655MHRA3701LF	UNC 4.40	Black	BULK (see note 1)
	8655MHRA3701KLF	UNC 4.40	Black	KIT (see note 2)
	8655MHRA3702LF	M3	Grey	BULK
	8655MHRA3702KLF	M3	Grey	KIT
	8655MHRA3703LF	M2.6	Grey	BULK



SIZE	Part Num.	Threading	Headscrew	Packaging
15	8655MHRA1501LF	UNC 4.40	Black	BULK (see note 1)
	8655MHRA1501KLF	UNC 4.40	Black	KIT (see note 2)
	8655MHRA1502LF	M3	Grey	BULK
	8655MHRA1502KLF	M3	Grey	KIT
	8655MHRA1503LF	M2.6	Grey	BULK



SIZE	Part Num.	Threading	Headscrew	Packaging
50	8655MHRA5001LF	UNC 4.40	Black	BULK (see note 1)
	8655MHRA5001KLF	UNC 4.40	Black	KIT (see note 2)
	8655MHRA5002LF	M3	Grey	BULK
	8655MHRA5002KLF	M3	Grey	KIT
	8655MHRA5003LF	M2.6	Grey	BULK



www.fciconnect.com		Surface ISO 1302	tolerance std ISO 406 ISO 1101	projection mm
TOLERANCES UNLESS OTHERWISE SPECIFIED				
Dr	BART.S	2005/10/15	ANGULAR	size A3
Eng	LENOIR.M	2005/10/15	LINEAR	Scale 1:1
Chr	LEGARE.P	2005/10/15	0° ±//°	ECN F11-0073
Appr	LEGARE.P	2005/10/15	Product family D-Sub	Spec ref

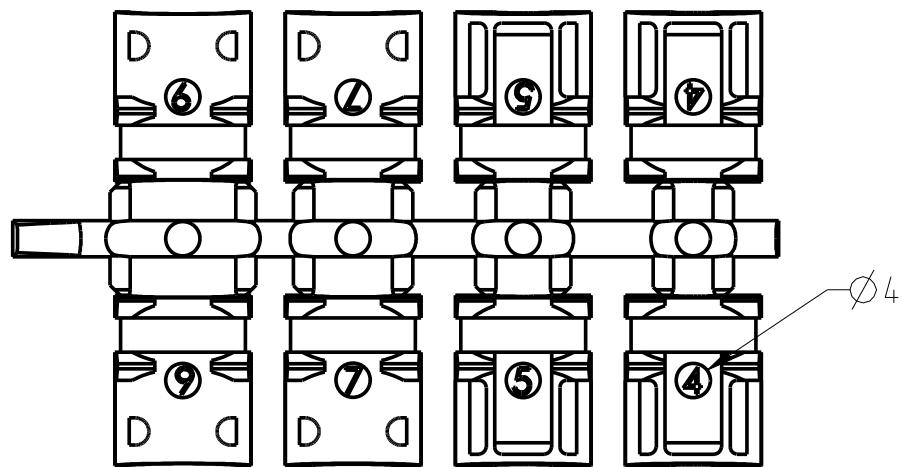


Title D-SUB METAL SHELLS  
ANGLED  
catalog no

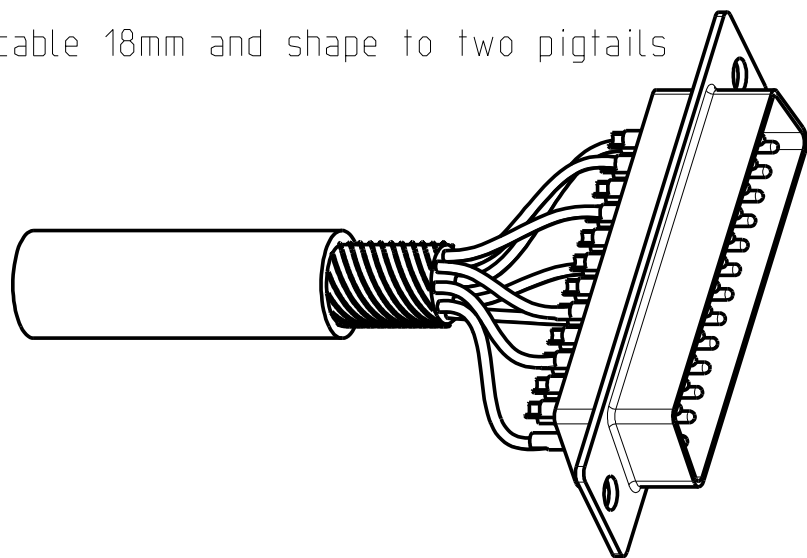
dwg no 10061512C  
Rev. K  
sheet 2 of 3

# CABLING INSTRUCTIONS

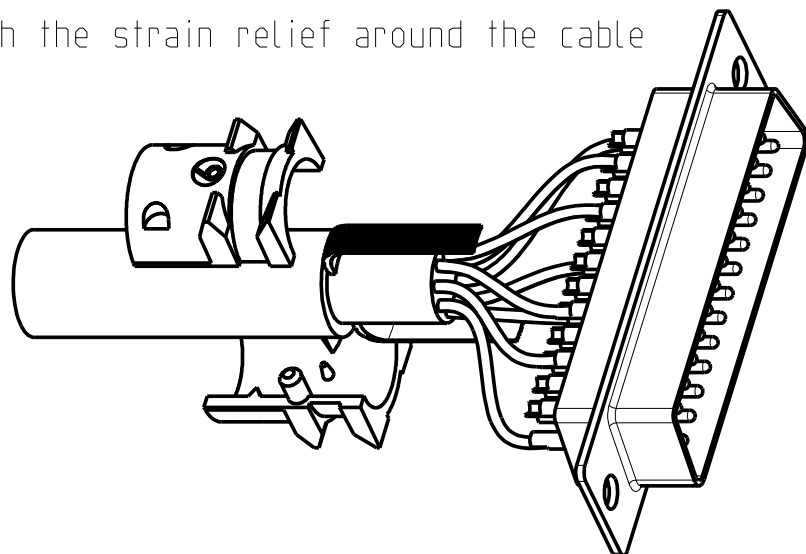
1- Use two halves of strain relief, different sizes can be mixed (Ø4,5,7 or 9)



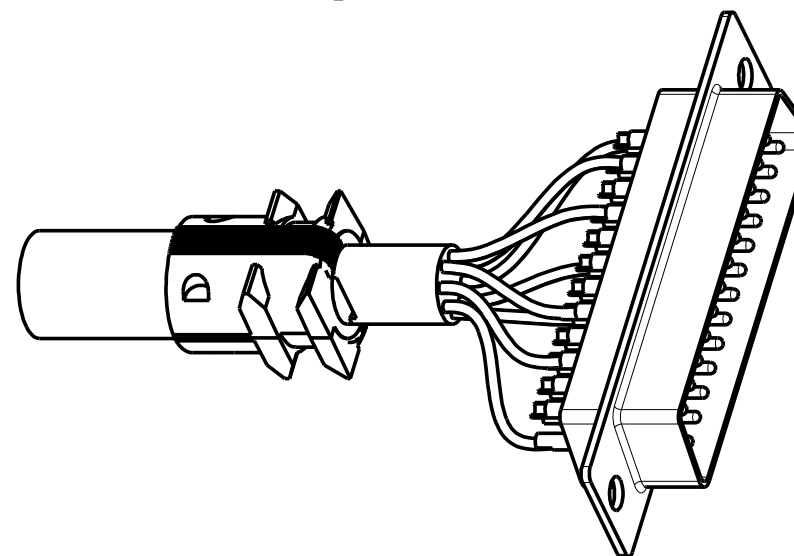
2- Strip cable 18mm and shape to two pigtails



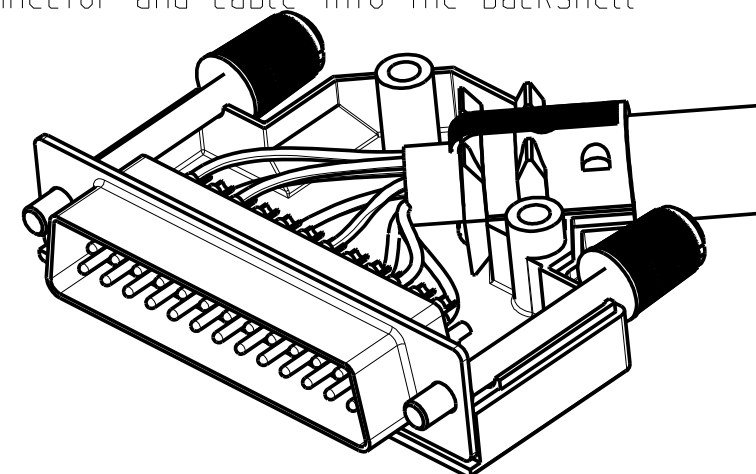
3- Attach the strain relief around the cable



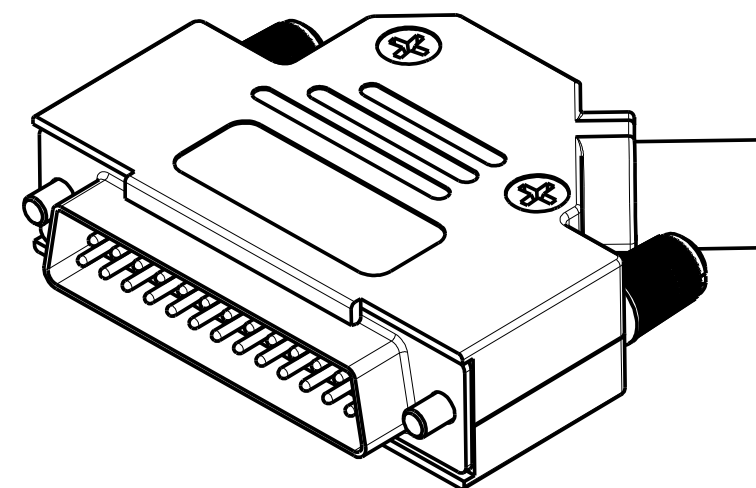
4- Bend cable shielding back on outside of strain relief



5- Mount connector and cable into the backshell



6- Assemble the other half screwing force: 100 Ncm



www.fciconnect.com			surface ISO 1302	✓	tolerance std ISO 406 ISO 1101	projection mm	mm
TOLERANCES UNLESS OTHERWISE SPECIFIED							
Dr	BART.S	2005/10/15	ANGULAR		0.X	±/	size A3
Eng	LENOIR.M	2005/10/15		LINEAR	0.XX	±/	Scale 3:2
Chr	LEGARE.P	2005/10/15	0° ±/°		0.XXX	±/	ECN F11-0073
Appr	LEGARE.P	2005/10/15	Product family			D-Sub	Spec ref



Title D-SUB METAL SHELLS  
ANGLED  
catalog no

dwg no 10061512C

Rev. K