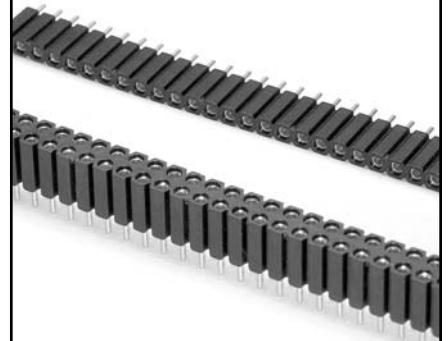


Fig. 1

- Receptacles accept .037"-.041" diameter pins.
 (MM# 1313 receptacles for details see page 149)



Ordering Information

Fig. 1	Single Row
	801-XX-0__-10-004 Specify # of pins \rightarrow 01-50

XX=
Plating Code
See Below

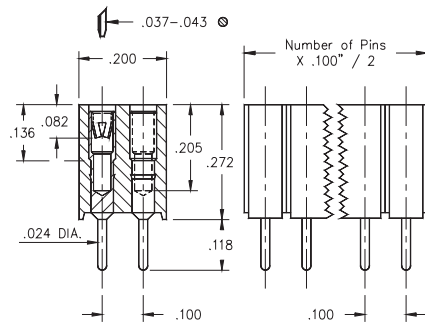


Fig. 2

Fig. 2	Double Row
	803-XX-___-10-004 Specify # of pins \rightarrow 002-100

XX=
Plating Code
See Below

SPECIFY PLATING CODE XX=			93	99
Sleeve (Pin)			200 μ " Sn/Pb	200 μ " Sn/Pb
Contact (Clip)			30 μ " Au	200 μ " Sn/Pb