

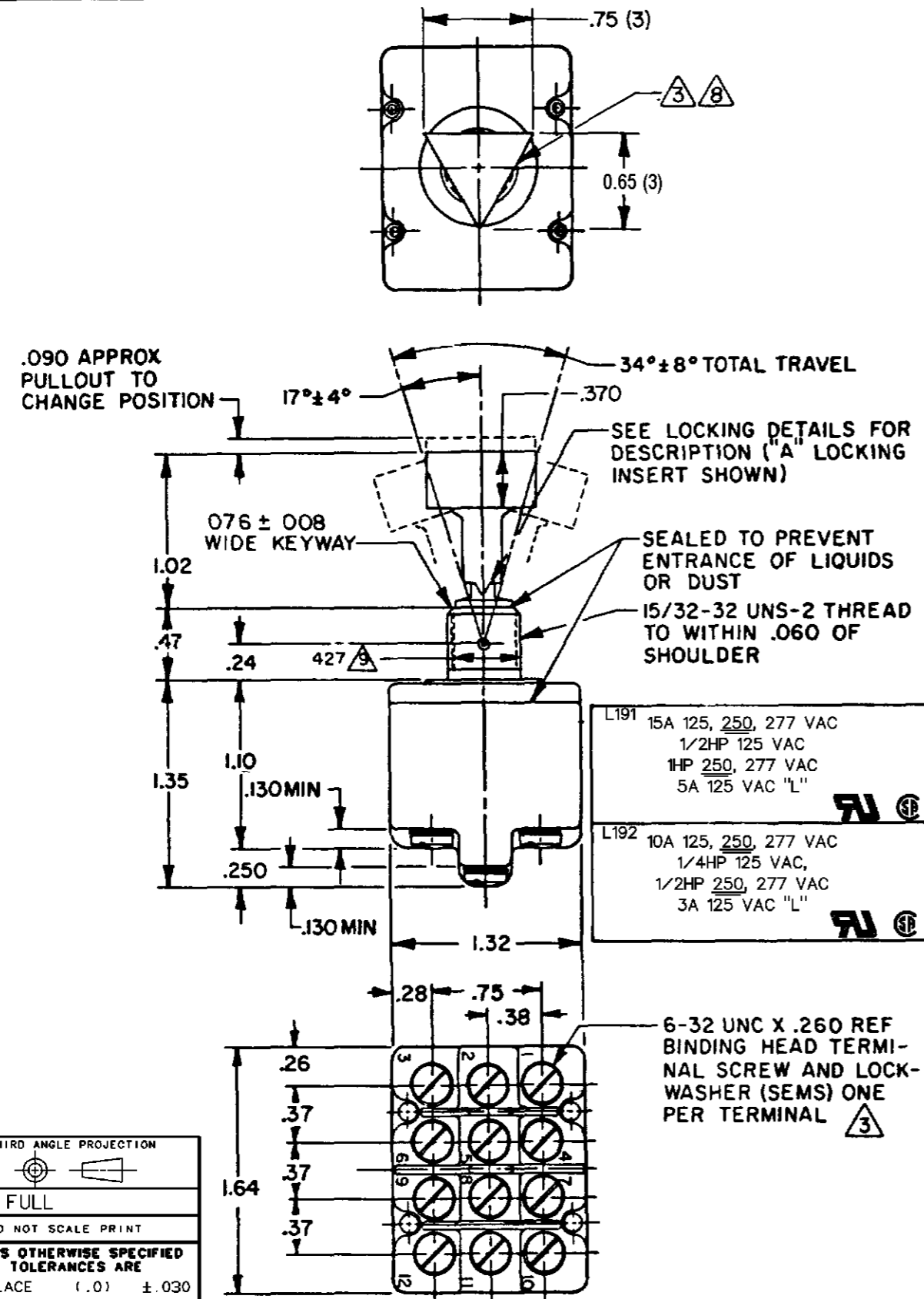
RELEASE NO CO-78497 REPLACES 4TL144 SERIES

MICRO SWITCH
FREEPORT ILLINOIS U.S.A.
A DIVISION OF HONEYWELL
FED MFG CODE 81929

SWITCH-TOGGLE

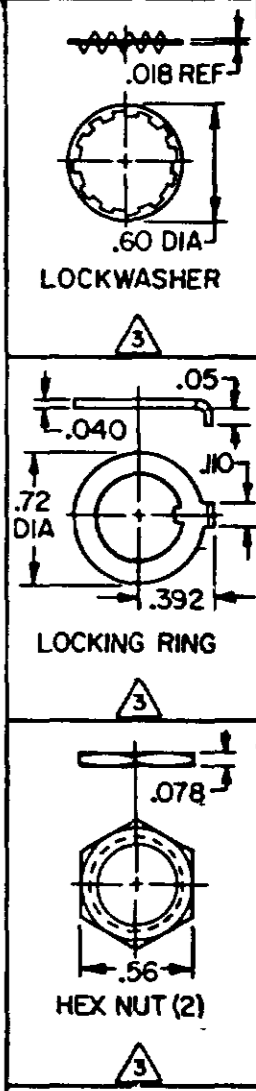
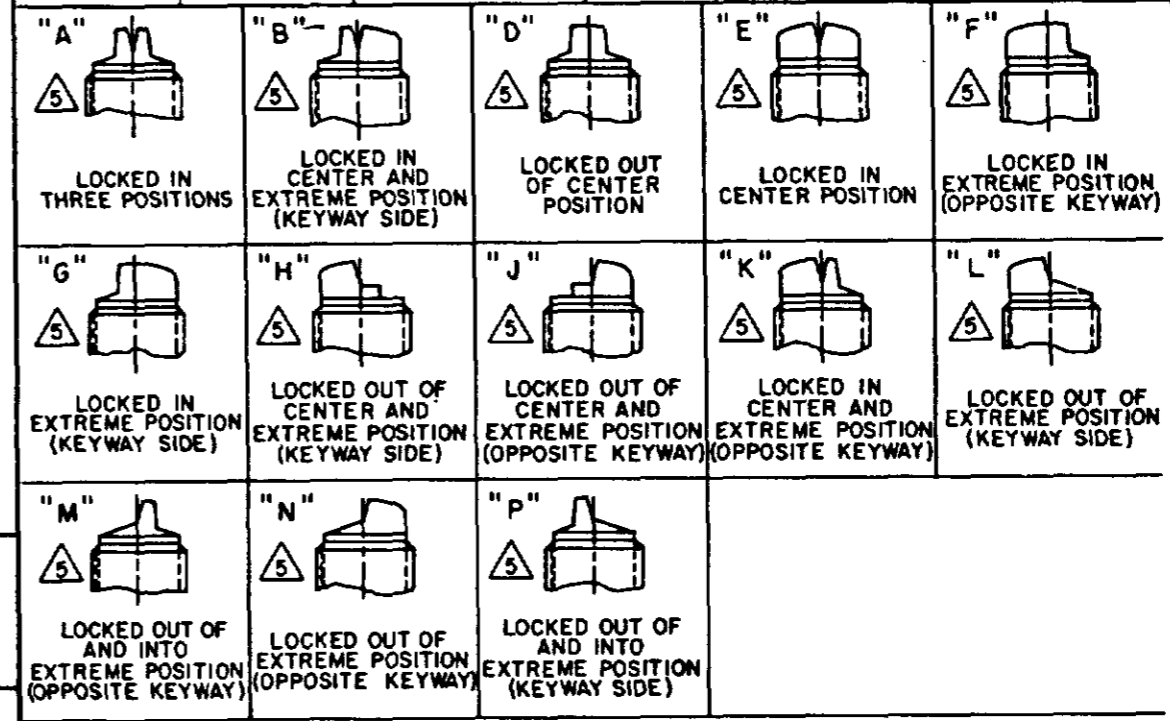
CATALOG LISTING
4TL144 SERIES
CHART 1

THIS DRAWING COVERS A PROPRIETARY ITEM AND IS THE PROPERTY OF MICRO SWITCH A DIVISION OF HONEYWELL. THIS DRAWING IS NOT TO BE COPIED OR USED WITHOUT THE APPROVAL OF MICRO SWITCH.



L191	15A 125, 250, 277 VAC 1/2HP 125 VAC 1HP 250, 277 VAC 5A 125 VAC "L"
L192	10A 125, 250, 277 VAC 1/4HP 125 VAC, 1/2HP 250, 277 VAC 3A 125 VAC "L"

CATALOG LISTING	AVAILABLE LOCKING COMBINATIONS FOR CONFIGURATION SEE LETTERING DETAILS	CIRCUIT MADE WITH TOGGLE LEVER IN			MILITARY RATING (AMPS)								
		KEYWAY SIDE (1-2, 4-5) (7-8, 10-11)	CENTER (1-2, 4-5) (7-8, 10-11)	OPPOSITE KEYWAY (2-3, 5-6) (8-9, 11-12)	RESISTIVE LOAD DC VOLTS		AC VOLTS		LAMP LOAD		IND. LOAD		
		ON	OFF	ON	28	125	250	125	250	28	125	28	125
4TL144-1	AB, DE, FG, H, JK, L, MN, P	ON	OFF	ON									
4TL144-2	D, F, G	OFF	NONE	ON									
4TL144-3	D, F, G	ON	NONE	ON	20	.75	.5	15	6	5	4	12	15
4TL144-2I	E, F, K, M	NONE	OFF	ON	(REFER TO L191 FOR UL RATING)								
4TL144-3I	E, F, K, M	NONE	ON	ON									
4TL144-4	F	MOM OFF	NONE	ON									
4TL144-5	E, F, K, L, M, N	MOM ON	OFF	ON									
4TL144-6	F	MOM ON	NONE	OFF									
4TL144-7	E, L, N	MOM ON	OFF	MOM ON	18	.75	.5	11	6	4	2	10	8
4TL144-8	F	MOM ON	NONE	ON	(REFER TO L192 FOR UL RATING)								
4TL144-5I	E	NONE	ON	MOM ON									
4TL144-6I	E	MOM ON	OFF	NONE									



NOTES

- SWITCHES ARE CAPABLE OF WITHSTANDING A TEMPERATURE OF 160°F CONTINUOUSLY AT FULL RATED LOAD
- CIRCUIT DESIGNATION AND MICRO SWITCH CATALOG LISTING MARKED ON SIDE OF SWITCH
- FURNISHED UNASSEMBLED
- FOR TERMINAL COVER SEE MICRO SWITCH CAT. LIST. 5PA9
- KEYWAY SHOWN ON LEFT SIDE
- SUFFIX LETTER MUST BE ADDED FOR DESIRED TYPE OF TOGGLE LOCKING. SEE CHART FOR AVAILABLE LOCKING COMBINATIONS
- APPLIES ONLY TO "ON" AND "MOMENTARY ON" POSITIONS
- REMOVABLE LEVER CAP HELD IN PLACE BY A PLASTIC LOCKING INSERT IN CAP THREADS
- FROM BOTTOM OF KEYWAY TO MAJOR DIA OF 15/32 THREAD

THIRD ANGLE PROJECTION

SCALE FULL

DO NOT SCALE PRINT

UNLESS OTHERWISE SPECIFIED TOLERANCES ARE

ONE PLACE	(.0)	±.030
TWO PLACE	(.00)	±.015
THREE PLACE	(.000)	±.005
ANGLES		±

WEIGHT .23 LBS MAX