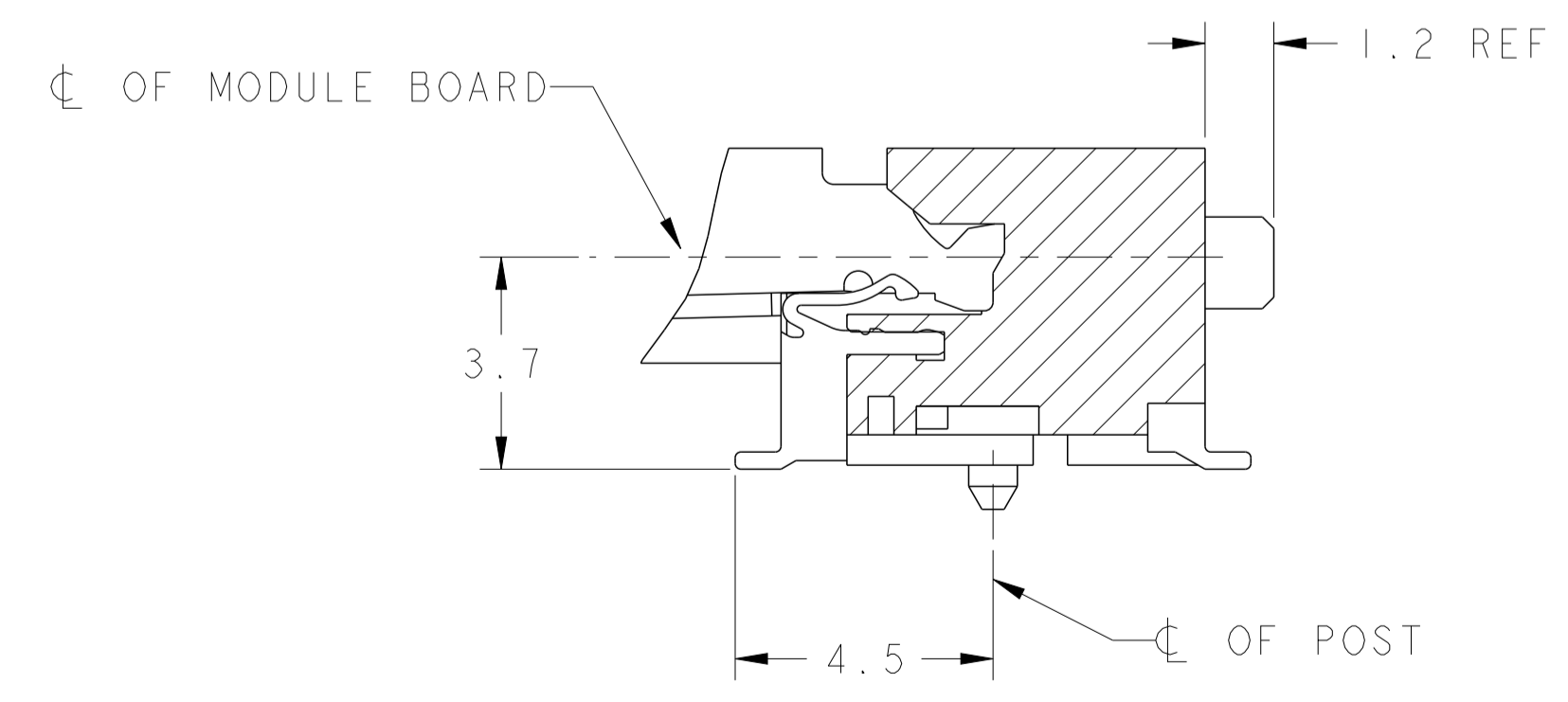
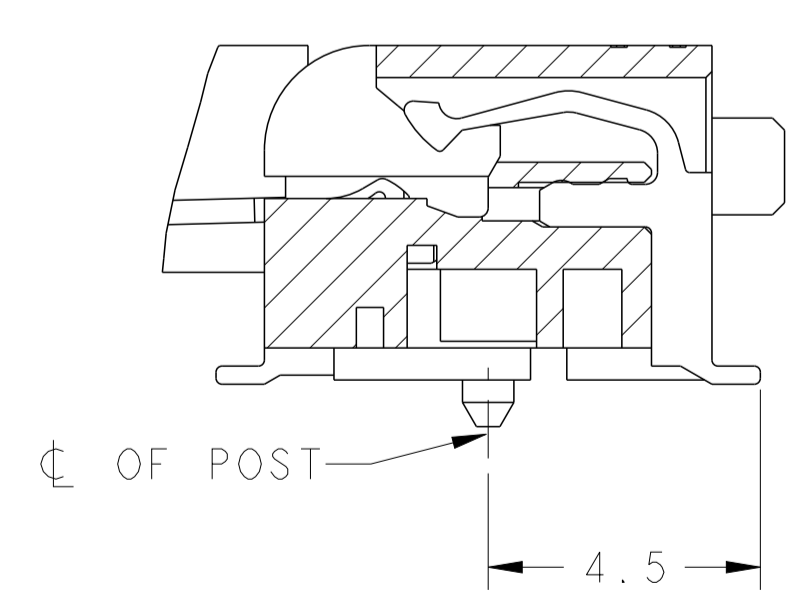


DETAIL B
SCALE 8:1



SECTION X-X
ROTATED 90° CCW
SCALE 8:1

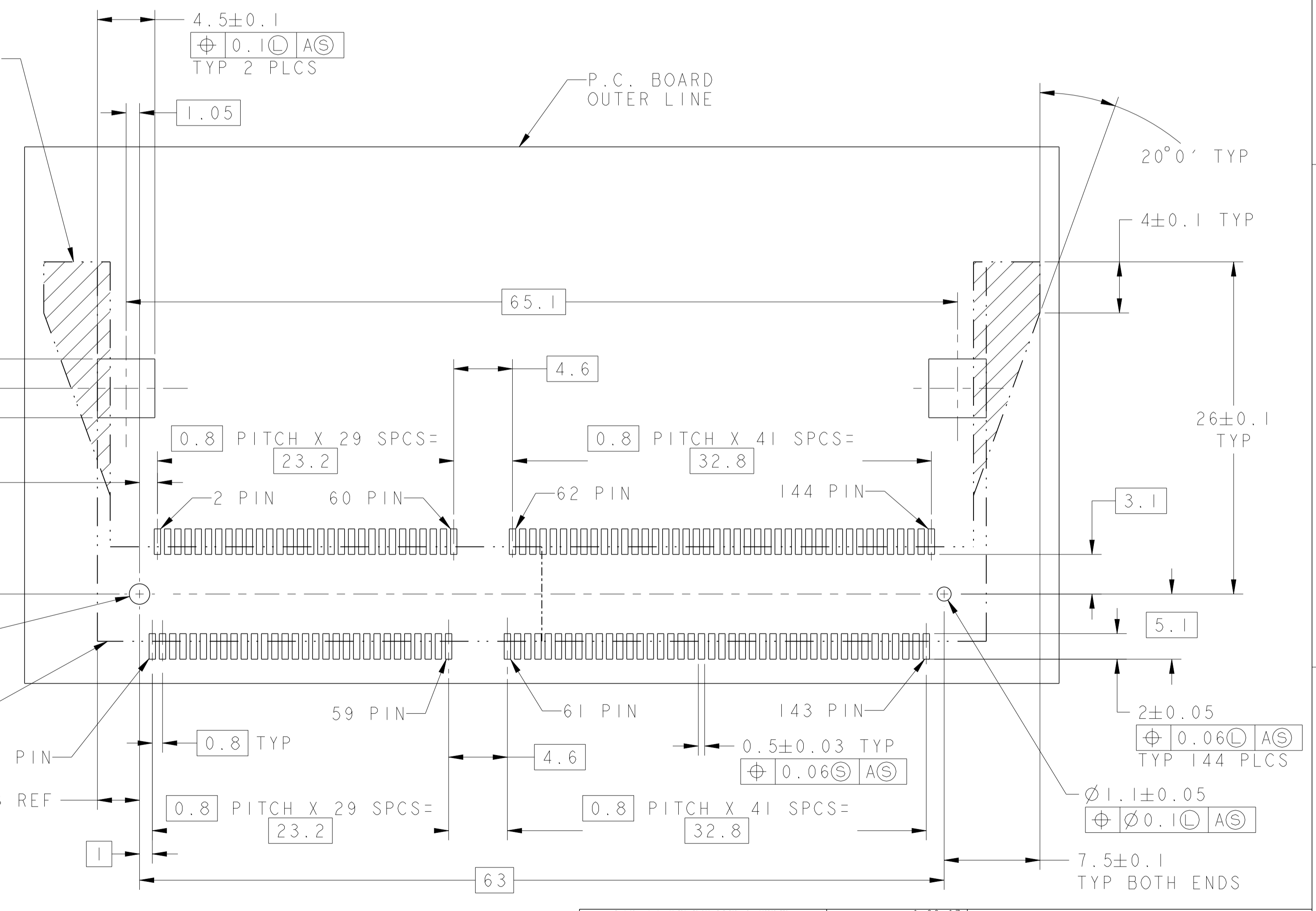
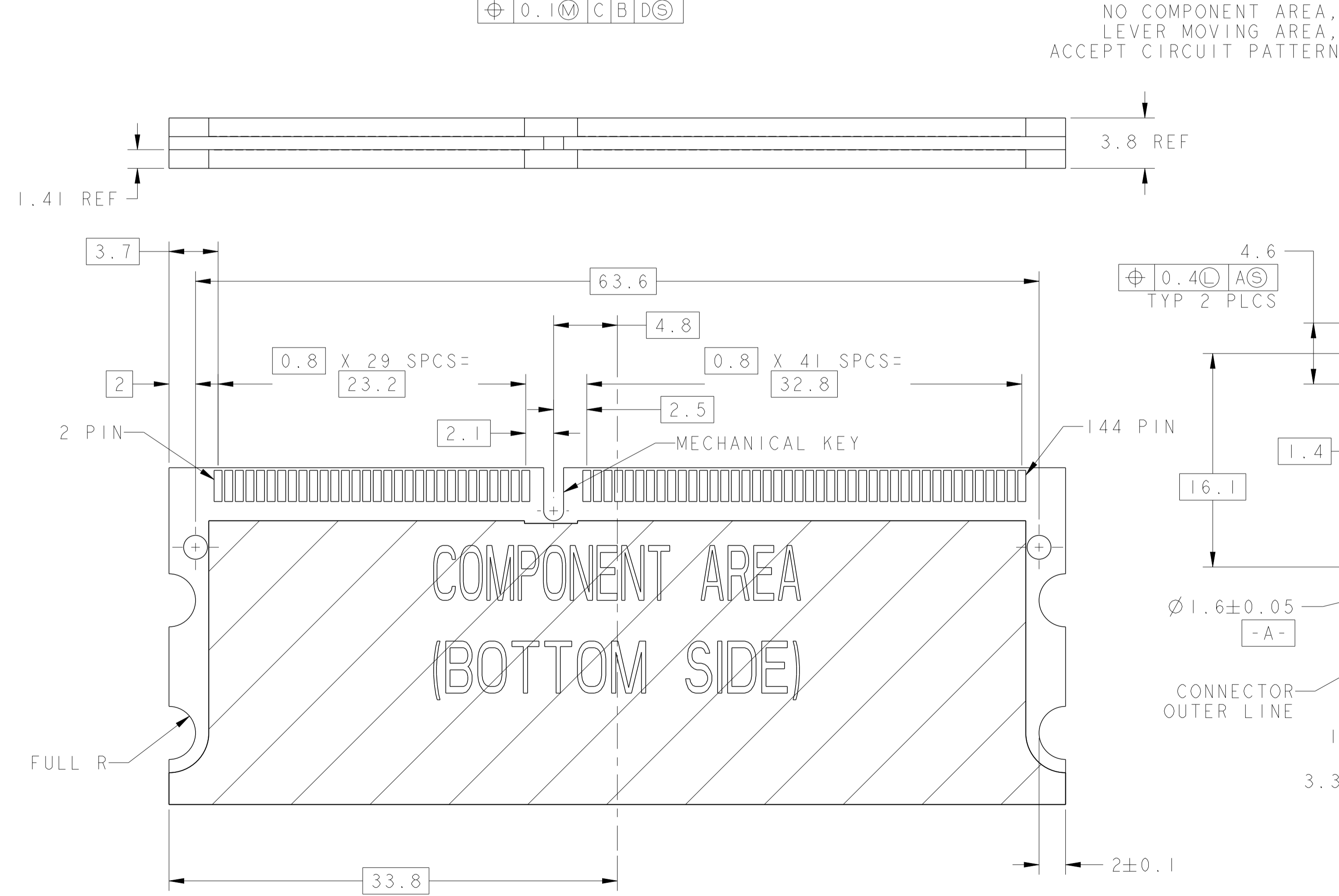
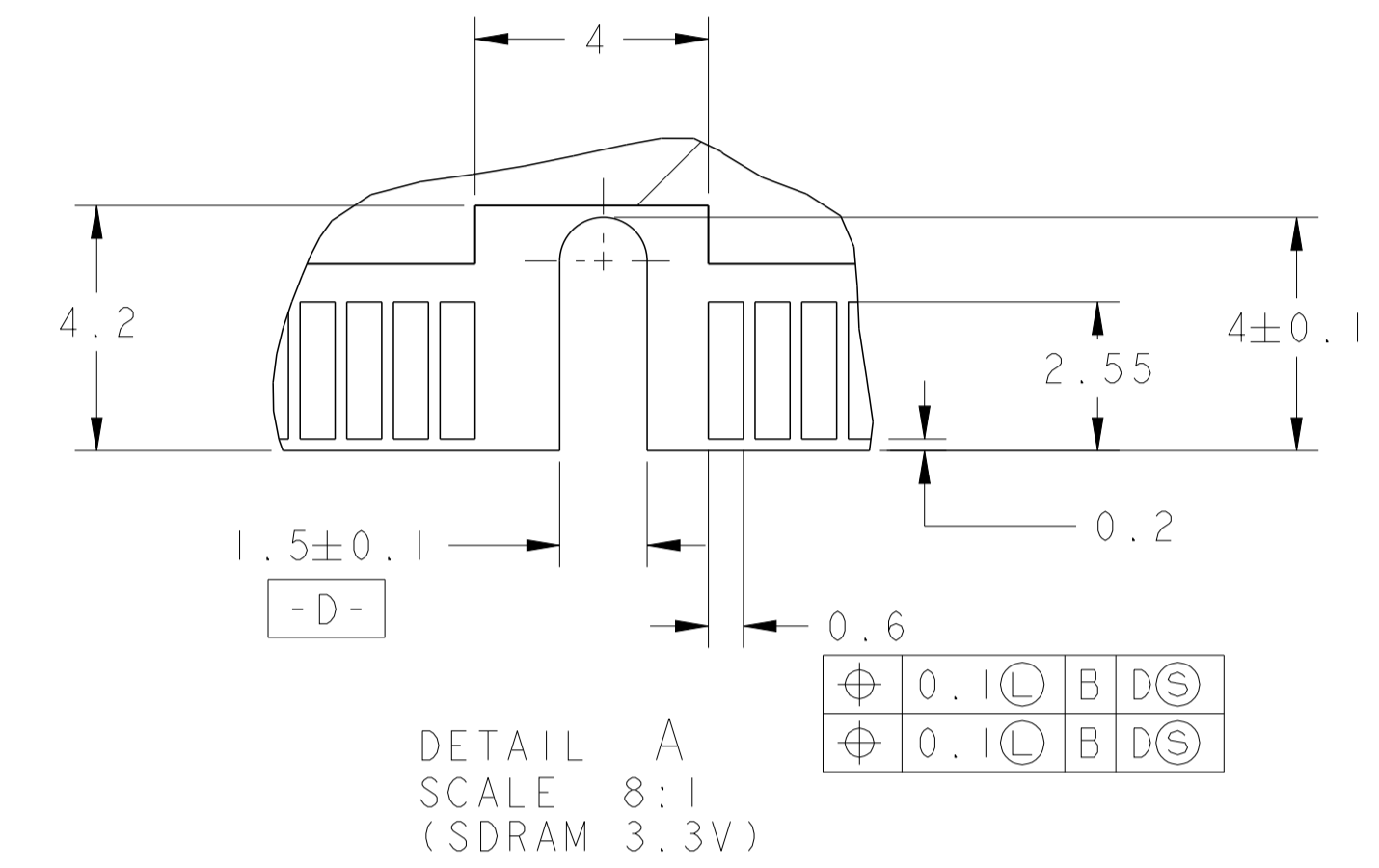
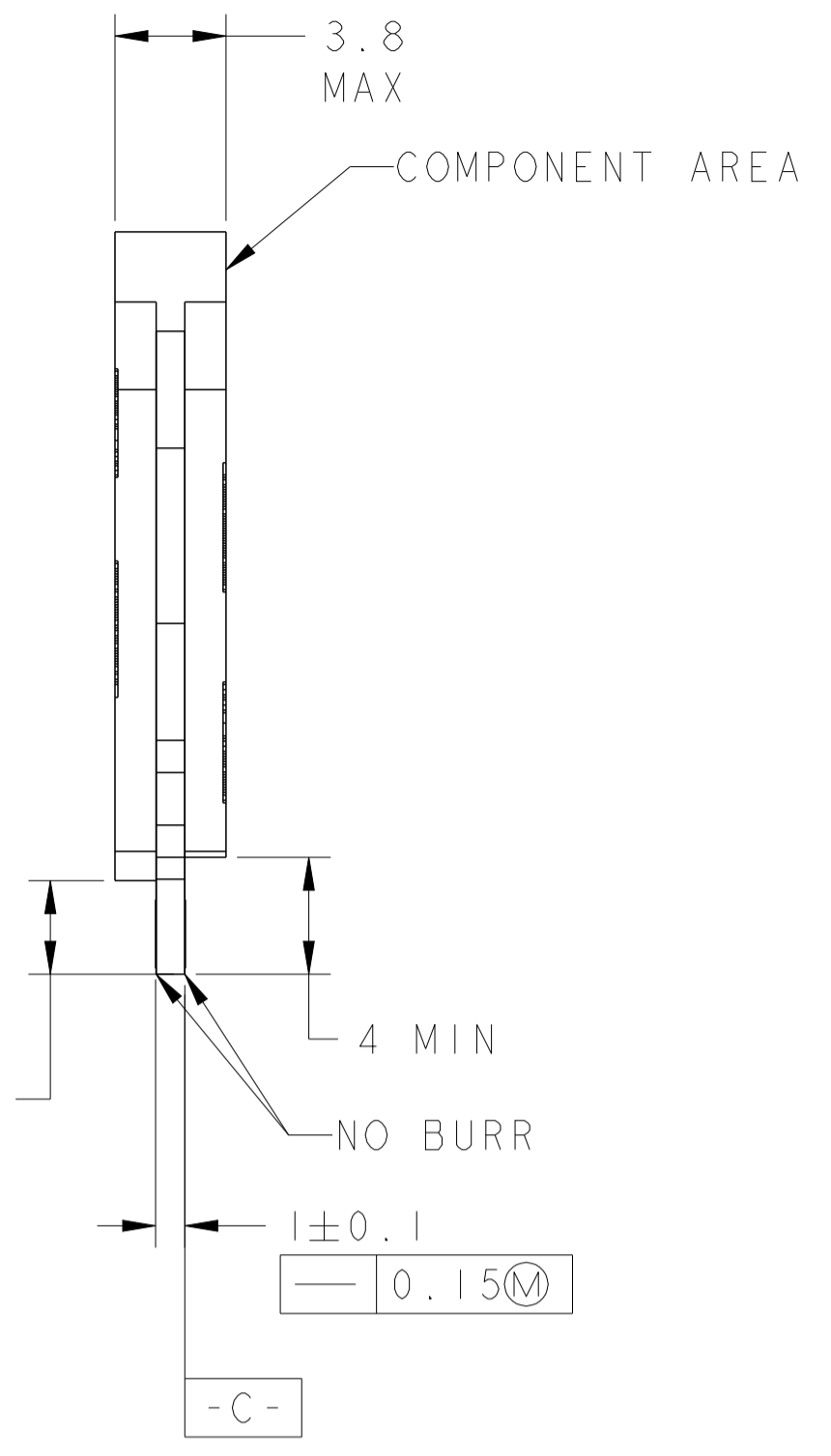
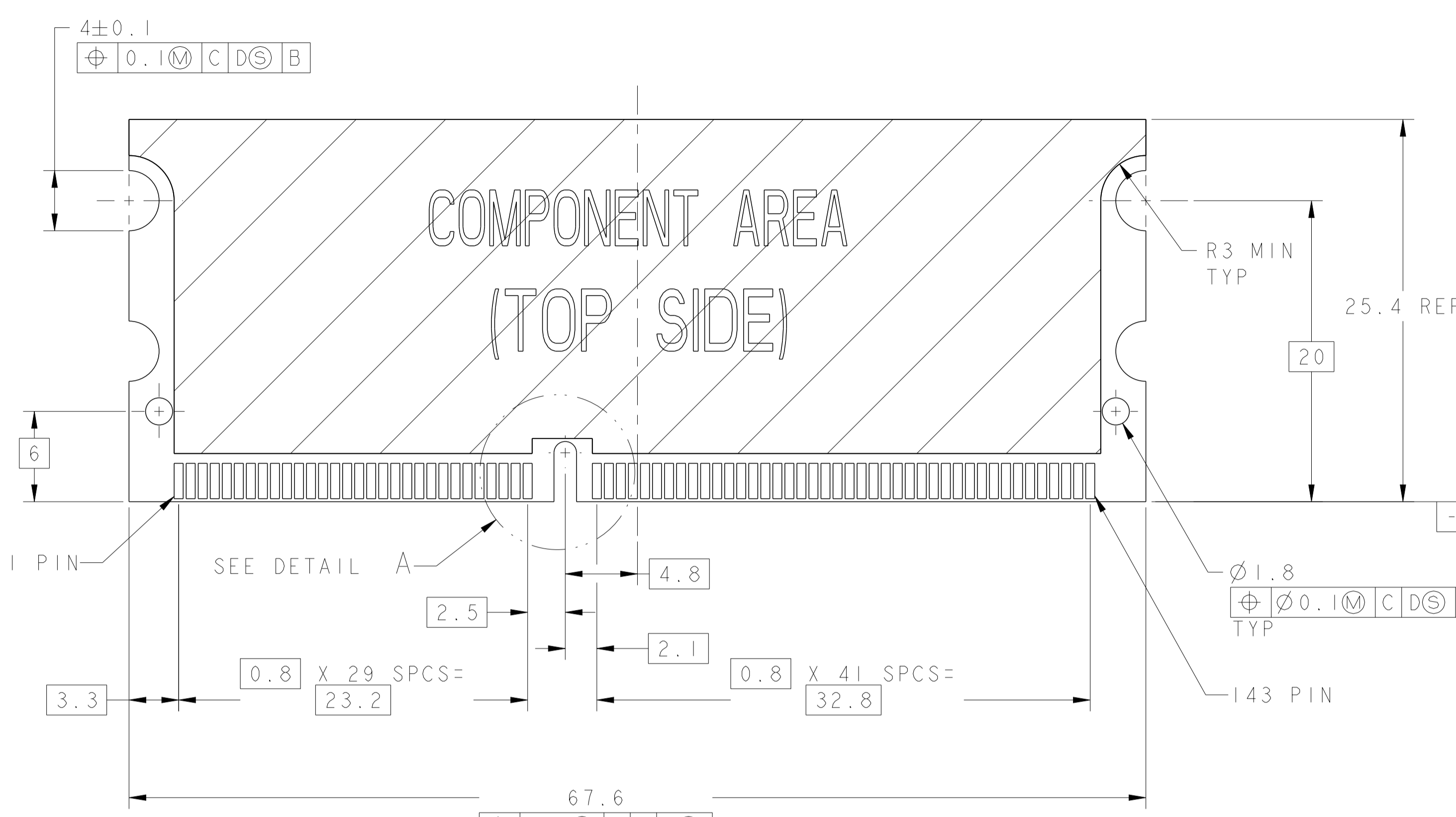


SECTION Y-Y
ROTATED 90° CCW
SCALE 8:1

- 1 MATERIAL, HIGH TEMPERATURE PLASTIC, UL94V-0
CONTACT: COPPER ALLOY
LATCH: STAINLESS STEEL, TIN PLATING.
- 2 FINISH; CONTACT AREA: 0.00025 MIN GOLD PLATE ON 0.001 MIN ALL OVER NICKEL
SOLDERING AREA: 0.00005 MIN TO 0.00030 MAX GOLD PLATE
- 3. TOLERANCES NON-ACCUMULATIVE.
- 4 PACKAGED IN HARD TRAY.
- 5 FINISH; CONTACT AREA: 0.00025 MIN GOLD PLATE ON 0.001 MIN ALL OVER NICKEL
SOLDERING AREA: BRIGHT TIN LEAD PLATE.
- 6 PART PACKAGED PER EIA-18704 STANDARD. REEL DIAMETER SHALL BE 330mm, TAPE WIDTH SHALL BE 88mm, AND TAPE PITCH SHALL BE 36mm.
- 7 LATCH PLATING: TIN-LEAD FOR P/N: 8-390112-1 ONLY (IDENTICAL TO PREVIOUS P/N: 390112-1)
- 8 DATE CODE (4-DIGITS), LOCATED AS SHOWN. TO BE INTERPRETED AS FOLLOWS:
DIGIT # 1 - LAST DIGIT OF YEAR.
DIGITS # 2 AND # 3 - CALENDAR WEEK.
DIGIT # 4 - DAY OF THE WEEK (WITH SUNDAYS AS DAY 1).

SUPERSEDED BY	REMARKS	COLOR	FINISH	POS	PART NO.
NIL	AVAILABLE	NATURAL	1, 1	144	8-390112-1
NIL	AVAILABLE	BLACK	2	144	7-390112-1
NIL	AVAILABLE	NATURAL	2	144	6-390112-1
3-390112-1	NOT AVAILABLE	NATURAL	5	144	3-390112-4
NIL	AVAILABLE	NATURAL	2	144	3-390112-1
390112-1	NOT AVAILABLE	NATURAL	5	144	390112-4
NIL	AVAILABLE	NATURAL	2	144	390112-1

DIMENSIONS: mm		TOLERANCES UNLESS OTHERWISE SPECIFIED:		DW: W. SORAH 6-23-97		CHK: ALAN ANG 01-21-02		APD: SE LEONG		NAME: S.O. DIMM SOCKET ASSY, 0.8mm, 3.3V, 144 POSITION, HIGH PROFILE FOR SDRAM TYPE MODULE	
0 PLC ±0.2		1 PLC ±0.2		2 PLC ±0.2		3 PLC ±0.2		4 PLC ±0.2		SIZE: A1	
MATERIAL: SEE TABLE		FINISH: SEE TABLE		WEIGHT: -		CAGE CODE: 00779		DRAWING NO: 390112		RESTRICTED TO: -	
SCALE: 4:1		SHEET: 1 of 2		REV: R1		CUSTOMER DRAWING					



DIMENSIONS: mm		TOLERANCES UNLESS OTHERWISE SPECIFIED:		DRAWN: W. SORAH 6-23-97		CHK: ALAN ANG 1-21-02		APPROVED: SE LEONG		NAME: S.O. DIMM SOCKET ASSY, 0.8mm, 3.3V, 144 POSITION, HIGH PROFILE FOR SDRAM TYPE MODULE	
MATERIAL: SEE TABLE		FINISH: SEE TABLE		0 PLC ±0.2		1 PLC ±0.2		2 PLC ±0.2		3 PLC ±0.2	
MATERIAL: SEE TABLE		FINISH: SEE TABLE		4 PLC ±0.2		ANGLES: ±		WEIGHT: -		SIZE: A1	
MATERIAL: SEE TABLE		FINISH: SEE TABLE		CUSTOMER DRAWING		CAGE CODE: 114-1114		DRAWING NO: 00779		SCALE: 4:1	
MATERIAL: SEE TABLE		FINISH: SEE TABLE		SHEET: 2 OF 2		REV: R1		DATE: -		BY: -	