

Li-ion rechargeable military battery system

28 V LBB

(Lithium-ion battery box)



Benefits

- Maintenance free
- Light weight
- Fast re-charge
- No ventilation required

Typical applications

- Improved Target Acquisition System
- Exportable power
- Defense

Safety features

- Electronics
 - Over-charge protection
 - Over-discharge protection
 - Over-current protection
 - Capacity (%) indicator
 - RS-422 communication available (with built-in test and battery status)
 - Over-ride pass-through switch
 - On/off switch
- Hardware
 - Pressure compensated box
 - Burst prevention mechanism
 - Carry handles
 - Arctic glove functional
 - Keyed connectors

Charger

- Current limited (31.8 V) charger

Electrical characteristics

| | | |
|--------------------|---------------|--------|
| Voltage | | |
| | OCV | 31.8 V |
| | Mid-discharge | 28.8 V |
| | Cut-off | 24.0 V |
| Maximum charge | | 32.0 V |
| Capacity | | |
| | + 54° C | >80 Ah |
| | + 21° C | >80 Ah |
| | - 32° C | >70 Ah |
| Max discharge rate | | 30 A |

Mechanical characteristics

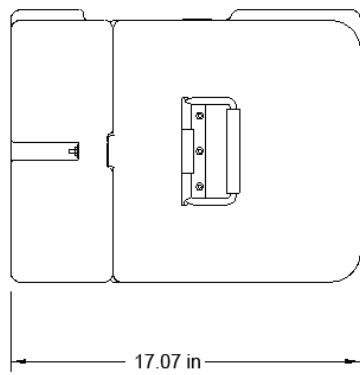
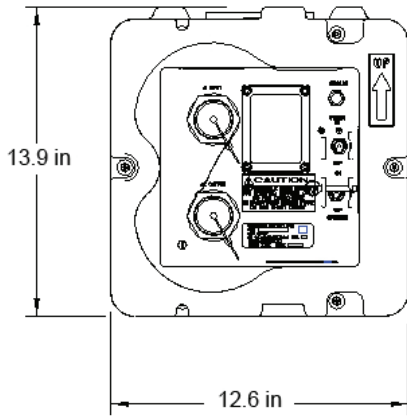
| | |
|--------|-------------------|
| Weight | 64 lbs/29 kg |
| Height | 13.19 in/335.0 mm |
| Width | 12.60 in/322.3 mm |
| Length | 17.07 in/433.6 mm |

Qualifications

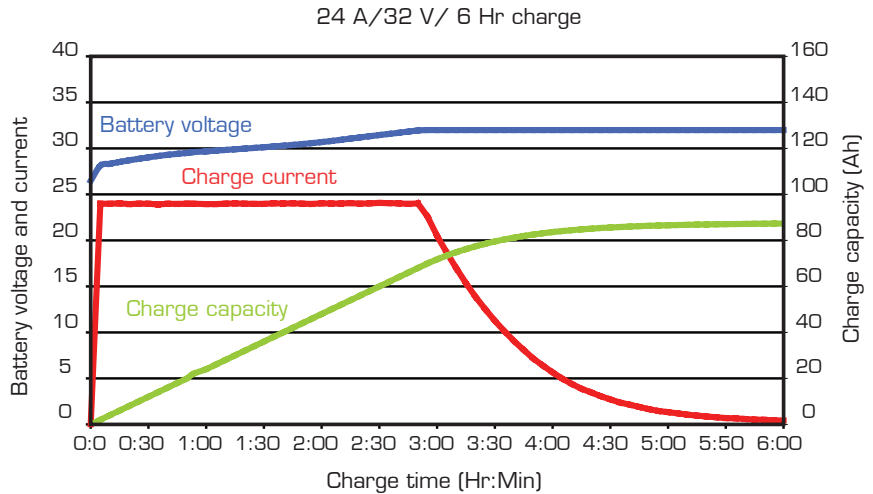
| | |
|----------------------------|--------------------|
| Transport | UN & DOT Approved |
| Altitude | 50,000 ft/15,240 m |
| Drop tested | 3 ft |
| Water proof | 3 ft |
| Vibration spectrum | full |
| Shock spectrum | full |
| Electromagnetic protection | (if required) |



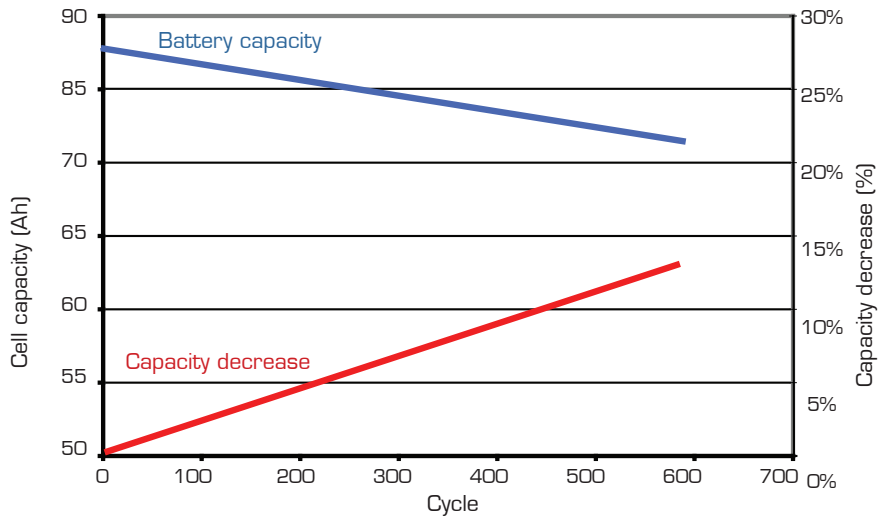
28 V LBB



Charge profile



Fade/capacity over cycle life



Saft America, Inc.
 Space & Defense Division
 107 Beaver Court
 Cockeysville, MD 21030 - USA
 Tel +1 410 771 3200
 Fax +1 410 771 1144

www.saftbatteries.com

Doc N° 32014-2-0307
 Edition: March 2007

Data in this document are subject to change without notice and become contractual only after written confirmation by Saft.

Published by the Communications Department

Photo credit: Saft

Produced by Saft Space & Defense Division



SAFT