

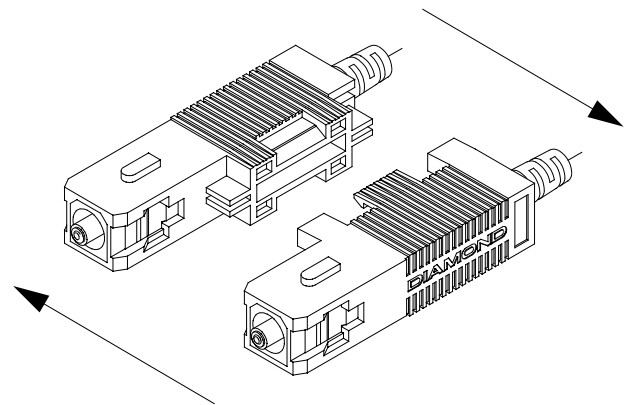
# DIAMOND

## Fiber Optic Components

DIAMOND SC Duplex fibre optic connectors conform with the requirements of IEC proposal for use in Fibre Channel Standard (FCS) duplex links. They are available in single mode and multimode versions, and can be provided with 0° convex-polished (PC) or 8° angle-polished (APC) ferrules.

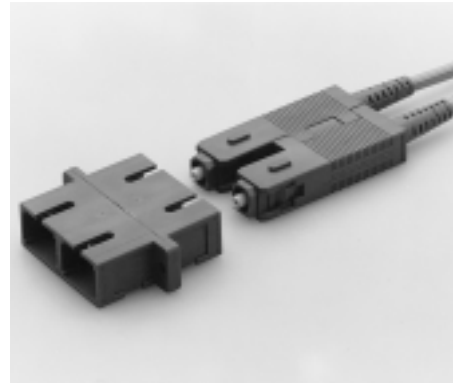
These duplex connectors feature unique outer shells which snap firmly together, but which are easily uncoupled with light finger pressure. This allows ...

- 1) simplified handling, for example when a single line must be connected momentarily to a piece of test gear configured to handle only one channel;
- 2) unification of the patch cable on stock, having access to different SC duplex and/or SC single channel interfaces;
- 3) the flexibility to build FCS connectors with different keys for single-mode or multimode applications with a low number of shells.



DIAMOND also offers a hybrid mating adaptor which permits mating of SC Duplex plugs to ST™-style connectors.

SC DUPLEX  
SINGLE MODE/  
MULTIMODE  
HSC-DS0.66/HSC-DM0.66  
SINGLE MODE APC  
HSC-DS8.66



Order numbers:

### CONNECTORS

SINGLE MODE APC  
Type designation: HSC-DS8.66  
Ferrule material: Zirconia/copper-nickel alloy insert (Pilzferrule)  
External parts: Plastic (green)  
Polish geometry: 8° angled (APC)

| Dimensions<br>Fiber/Cable | Order Number           |                       |
|---------------------------|------------------------|-----------------------|
|                           | Unterminated connector | Terminated assembly   |
| 9/125/900                 | 158 - 000 - 001 L 000  | 158 - xxx - 001 L xxx |
| 9/125/900/3000/6500       | 158 - 000 - 004 L 000  | 158 - xxx - 054 L xxx |

### ADAPTOR

Type designation: MSC-DS8.2

| Mating sleeve | Material       |  | Order Number          |
|---------------|----------------|--|-----------------------|
|               | External parts |  |                       |
| Zirconia      | Plastic green  |  | 112 - 301 - 902 V 002 |

### HYBRID ADAPTOR

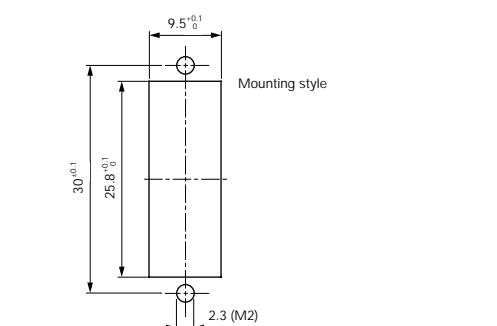
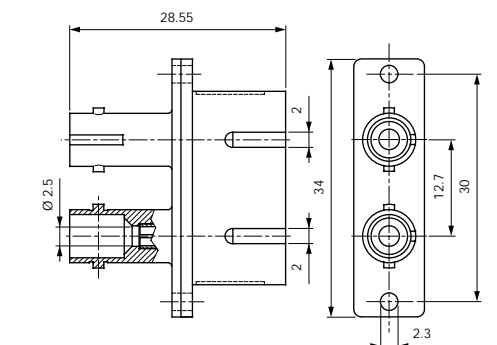
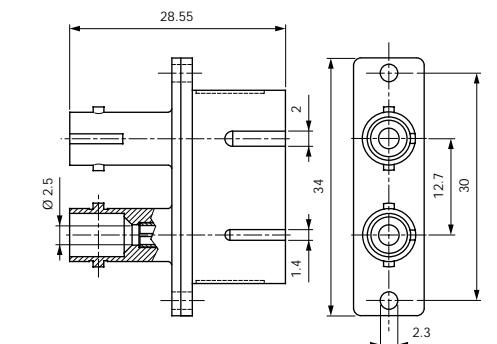
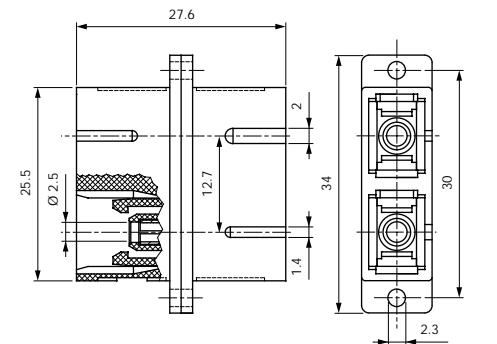
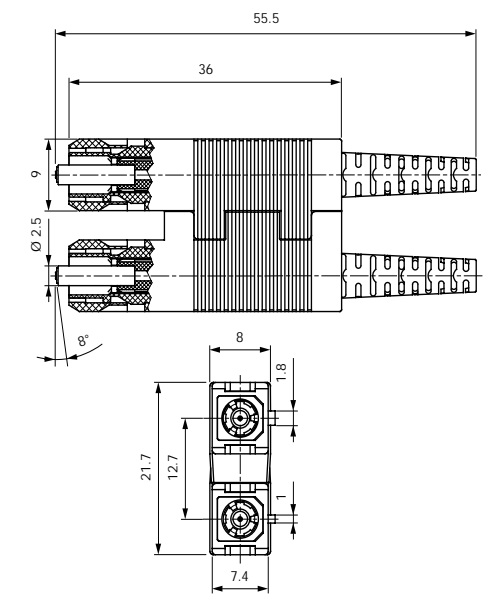
Type designation: HYB-DS0.2 SC/ST

| Mating sleeve | Material       |  | Order Number          |
|---------------|----------------|--|-----------------------|
|               | External parts |  |                       |
| Zirconia      | Plastic blue   |  | 112 - 311 - 901 V 001 |

### HYBRID ADAPTOR

Type designation: HYB-DM0.2 SC/ST

| Mating sleeve | Material       |  | Order Number          |
|---------------|----------------|--|-----------------------|
|               | External parts |  |                       |
| Zirconia      | Plastic blue   |  | 112 - 311 - 908 V 001 |



Specifications subject to change without notice



DIAMOND SA  
CH-6616 LOSONE  
Via dei Patrizi 5  
Tel. ++41-91/785 45 45  
Fax ++41-91/785 45 00  
e-mail: diamond@diamond-fo.com

#### Order Number Codes

- 1 Connector code\*
- 2 Connector code for termination on other end of assembly\*
  - For pigtails: insert 000
  - For patch assemblies: insert connector code for other connector
- 3 Code for fiber or cable
- 4 Length in meters

## Specifications:

|                       | Multimode               |         | Single mode   |         | Single mode 8°APC | Units   | Test conditions                                 |
|-----------------------|-------------------------|---------|---------------|---------|-------------------|---------|---|
| Insertion loss (IL)   | typ 0.2                 | max 0.4 | typ 0.2       | max 0.4 | typ 0.2           | max 0.4 | dB IEC 1300-3-4; $\lambda = 1300/1550\text{nm}$ |
| Reflectance (RL)      | typ -40                 |         | -50           |         | max -70*          |         | dB IEC 1300-3-6; $\lambda = 1300/1550\text{nm}$ |
| Repeatability of IL   | max $\pm 0.1$           |         | max $\pm 0.1$ |         | max $\pm 0.1$     |         | dB Over service life                            |
| Service life          | 1000 mate/demate cycles |         |               |         |                   |         |   |
| Operating temperature | -40                     | +85     | -40           | +85     | -40               | +85     | °C  |
| Storage temperature   | -40                     | +90     | -40           | +90     | -40               | +90     | °C  |

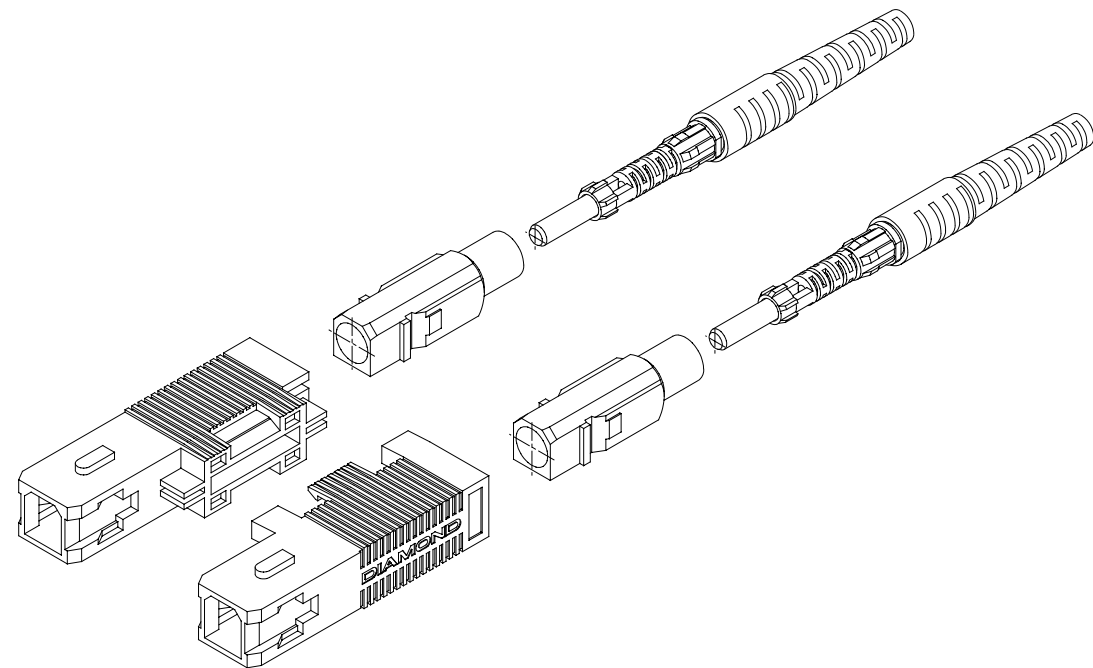
\* Measured with high precision reflectometer

Specifications subject to change without notice

DIAMOND SC Duplex connectors feature DIAMOND's new SNAP-FIT construction. This unique, patented construction is built around a common internal ferrule assembly, onto which popular connector body styles are snap-fitted.

The SNAP-FIT approach allows suppliers to produce and stock assemblies with confidence, as the high-value connector is not committed.

Benefits include substantially reduced lead times, reduced capital investment (ie: only one set of termination equipment required) and a common assembly process to ensure low rejects.



Order numbers:

## CONNECTORS

SINGLE MODE

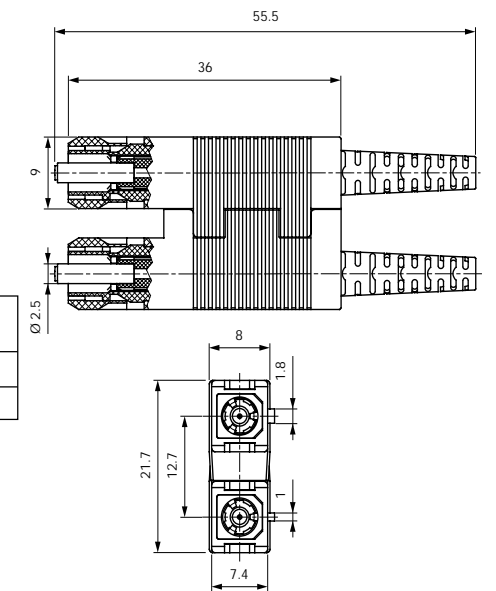
Type designation: HSC-DS0.66

Ferrule material: Zirconia/copper-nickel alloy insert (Pilzferrule)

External parts: Plastic (blue)

Polish geometry: Convex (PC)

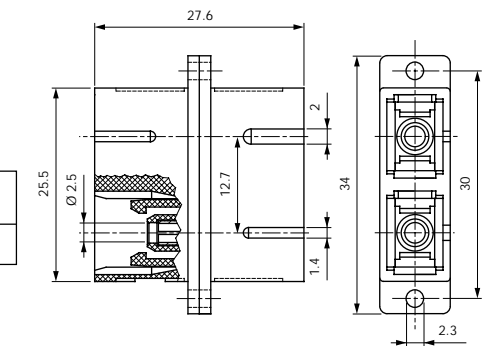
| Dimensions<br>Fiber/Cable | Order Number           |                       |
|---------------------------|------------------------|-----------------------|
|                           | Unterminated connector | Terminated assembly   |
| 9/125/900                 | 156 - 000 - 001 L 000  | 156 - xxx - 001 L xxx |
| 9/125/900/3000/6500       | 156 - 000 - 004 L 000  | 156 - xxx - 054 L xxx |



## ADAPTOR

Type designation: MSC-DS0.2

| Mating sleeve | Material       |  | Order Number          |
|---------------|----------------|--|-----------------------|
|               | External parts |  |                       |
| Zirconia      | Plastic blue   |  | 112 - 301 - 902 V 001 |



## CONNECTORS

MULTIMODE

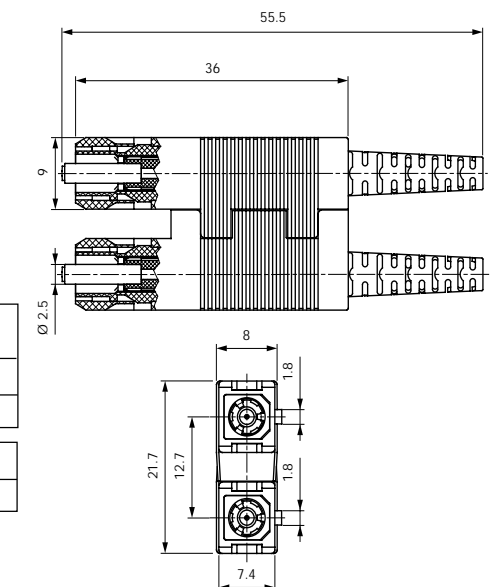
Type designation: HSC-DM0.66

Ferrule material: Zirconia/copper-nickel alloy insert (Pilzferrule)

External parts: Plastic (blue)

Polish geometry: Convex (PC)

| Dimensions<br>Fiber/Cable | Order Number           |                       |
|---------------------------|------------------------|-----------------------|
|                           | Unterminated connector | Terminated assembly   |
| 50/125/900                | 157 - 000 - 001 L 000  | 157 - xxx - 001 L xxx |
| 50/125/900/3000/6500      | 157 - 000 - 004 L 000  | 157 - xxx - 054 L xxx |
| 625/125/900               | 157 - 000 - 001 L 000  | 157 - xxx - 011 L xxx |
| 625/125/900/3000/6500     | 157 - 000 - 004 L 000  | 157 - xxx - 064 L xxx |



## ADAPTOR

Type designation: MSC-DM0.2

| Mating sleeve | Material       |  | Order Number          |
|---------------|----------------|--|-----------------------|
|               | External parts |  |                       |
| Zirconia      | Plastic blue   |  | 112 - 301 - 904 V 001 |

